



Contents:

- mounting instruction



**Before installation please observe
the following points:**

- Read all information in this manual carefully.
- All suspension components are fitted and removed acc. to the manufacturer's specifications for fitting and removing, if not otherwise required in these instructions.

- Check that your vehicle type is listed in the certificate as being released for this kit.

- Check the product for all components before starting installation!
- Check that dimensions and fastening points are comparable between the original and Bilstein shock absorbers.
- Remove the negative battery pole.
- Directional references (left, right, front, rear) are always with reference to the driving direction.
- The test vehicles are left- hand drive cars.

**After installation please observe
the following points:**

- Set the vehicle height by adjusting spring plates and lock nuts on the new dampers. Only use the supplied spanner wrenches.

- After installing the suspension system, caster and camber must be checked and adjusted according to manufacturer's specifications.
- Check and reset load- dependent brake compensator and ABS system according to manufacturer's specifications.
- Check and adjust headlight aim.

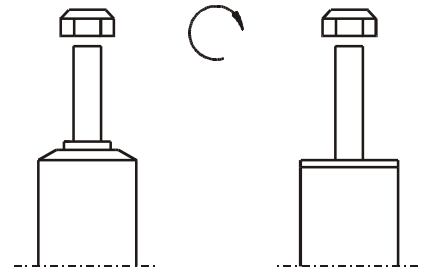
- Because the vehicle has been lowered, freedom of movement for all wheel-/ tire- combinations must be checked.
- All rubber- mounted strut/ damper attachments must not be fully tightened until AFTER the suspension system is loaded (wheels on the ground). Other mounting fasteners (for example brackets) must be securely tightened BEFORE load is placed on the suspension system.
- Connect the negative battery pole.



All diagrams are generalized
and not to scale!
brackets, etc. specific to
strut are not shown!

list of torques

| M8 | M 10 | M 12 | M 14 | M 16 | Thread |
|----|------|------|------|------|-----------------|
| 13 | 25 | 45 | 72 | 110 | Torque Nm |
| 10 | 19 | 34 | 54 | 83 | Torque ft lb |



**Do not use impact tools for loosening
or tightening fasteners, because
this may destroy the threads.
Self- locking nuts must only be
used once!**

Removal

Place vehicle on a chassis hoist,
lift it and remove wheels.

Vehicles equipped **with xenon headlight** the
movable element of sensor for the headlamp
levelling controller must removed before.



***The lower control arm must be
supported by suitable means!***

Remove bottom mount.

Remove top fixing nuts from support bearing.
Do not remove centre nut at this time!

Remove complete strut and
clamp it in an appropriate strut vice.

Using a suitable spring compressor, compress
suspension spring until tension on support
bearing is released.

Release centre nut and remove original mounting
parts and coil spring. Please refer to diagram
to identify which parts will be replaced with
BILSTEIN- supplied components.

Installing

Assemble BILSTEIN and/ or original mounting
parts, as well as the new BILSTEIN spring on the
BILSTEIN strut in reverse sequence of removal.



***IMPORTANT! Spring plates must
not be adjusted outside the
ranges specified below!***

The correct mounting position of the suspension
springs can be determined by the printing on
the springs; install them with the print upright.

Do not reuse original- bumper, fitted together with
the original plastic cap and original dustcover,
since BILSTEIN- strut has built in bump stop.

Fit assembled BILSTEIN strut to the
vehicle in reverse sequence of removal.

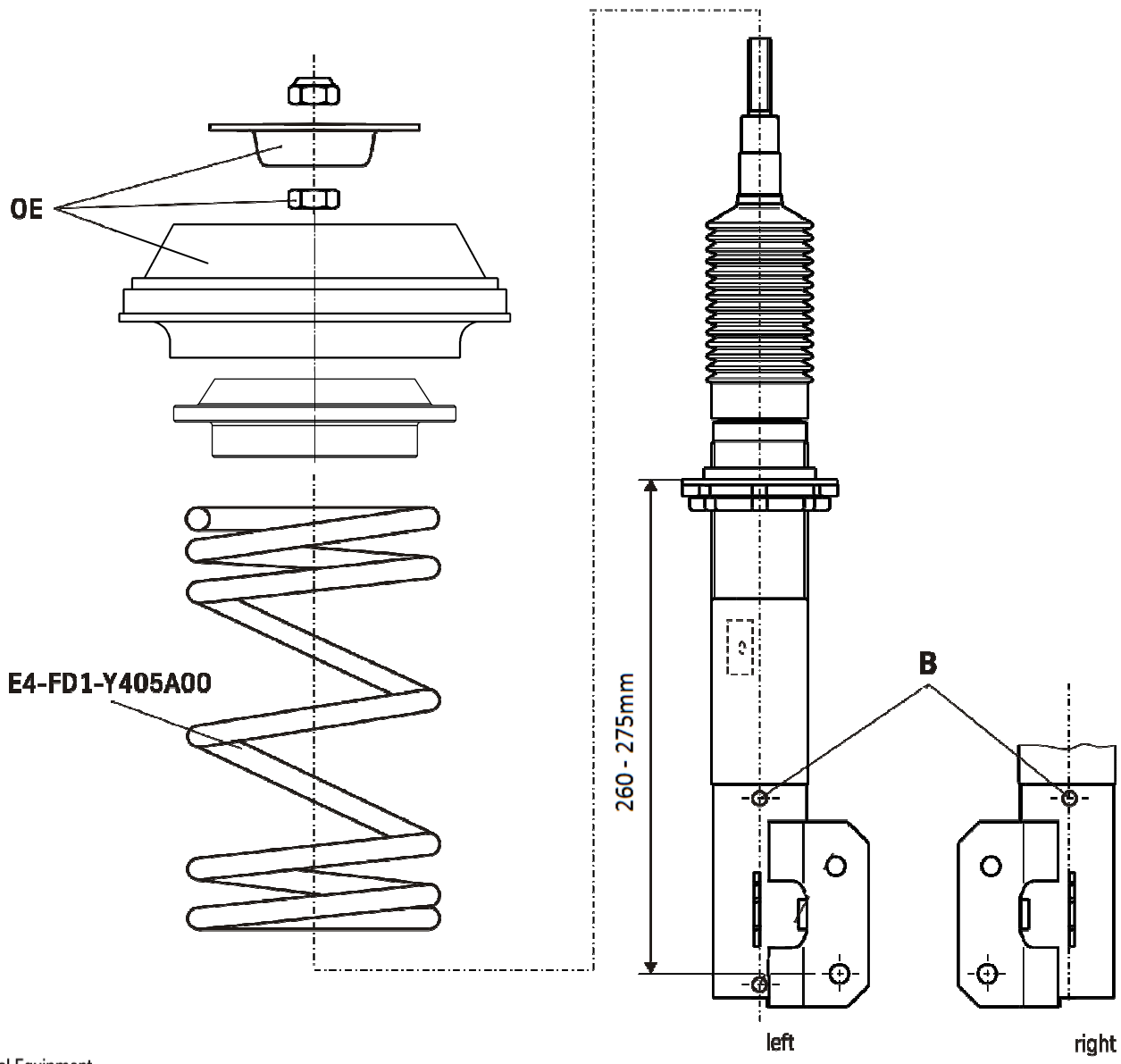
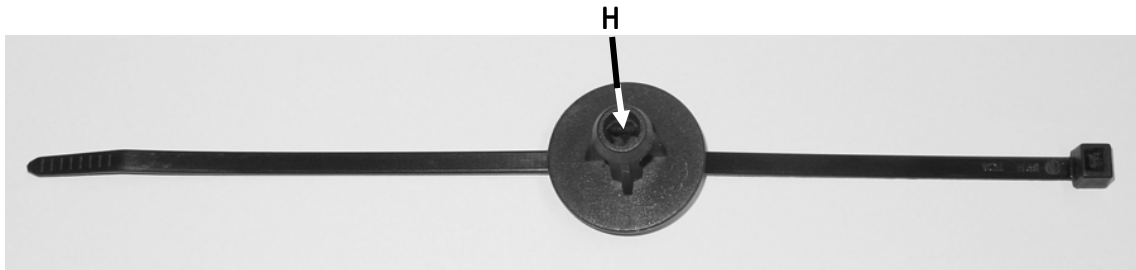
front axle left/ right (new version)

Remove original ABS clips, and fit the ABS cable and/ or sensor bracket free of strain by using the supplied cable clips (Fig. 1).

The cable clip sockets (**H**) must snap into the bolts (**B**) positioned on strut.

You can remove the cable clip sockets from the bolts non- destructively by rotation.

Check your cable attachment at maximum steer angle right and left!



Removal

Place vehicle on a chassis hoist,
lift it and remove wheels.

***The lower control arm must be
supported by suitable means!***

Remove top and bottom fixing
mount from support bearing.

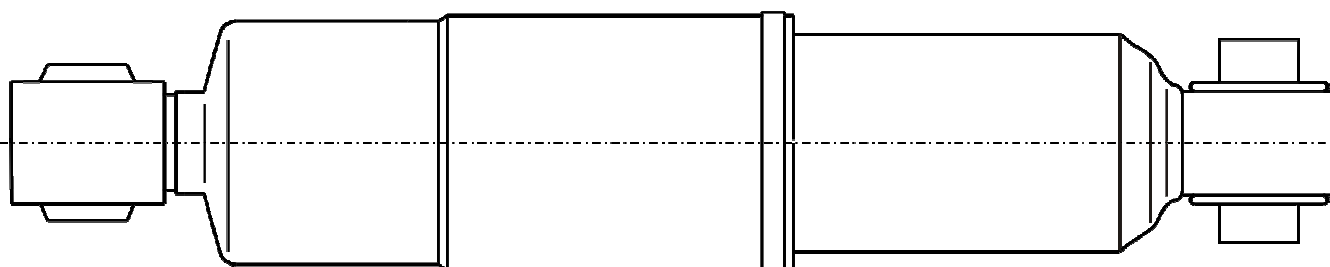
Remove original shock absorber.

Installing

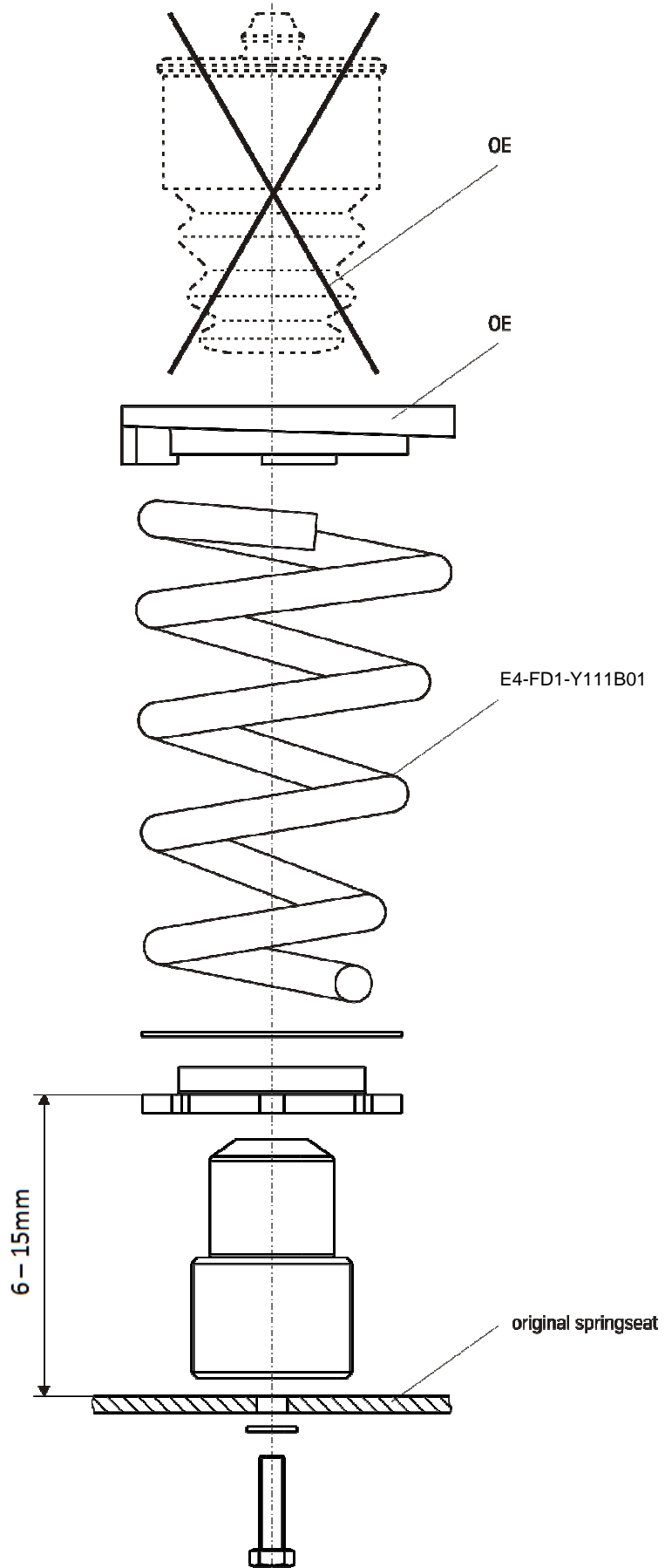
Fit BILSTEIN mounting parts on BILSTEIN
shock absorber according to the
sketch below.

Fit BILSTEIN shock absorber to the vehicle
in reverse sequence of removal.

top



-mounting instruction for rear axle height adjustment





(This page is intentionally left blank)