



**Contents:**

- Certificate -**
- NISSAN Micra (K13) B14 -**
- NISSAN Note (E12) B14 -**
- Mounting instruction -**



**Before installation please observe  
the following points:**

- Read all information in this manual carefully.  
All suspension components are fitted and removed acc. to the manufacturer's specifications for fitting and removing, if not otherwise required in these instructions.
  
- Check that your vehicle type is listed in the certificate as being released for this kit.
  
- Check the product for all components before starting installation!
  
- Check that dimensions and fastening points are comparable between the original and BILSTEIN shock absorbers.
  
- Remove the negative battery pole.
  
- Directional references (left, right, front, rear) are always with reference to the driving direction.
  
- The test vehicles are left- hand drive cars.

**After installation please observe  
the following points:**

- Set the vehicle height by adjusting spring plates and lock nuts\* on the new dampers. Only use the supplied spanner wrenches.
  
- After installing the suspension system, caster and camber must be checked and adjusted according to manufacturer's specifications.  
Check and reset load- dependent brake compensator and ABS system according to manufacturer's specifications.  
Check and adjust headlight aim.
  
- Because the vehicle has been lowered, freedom of movement for all wheel-/ tire- combinations must be checked.
  
- All rubber- mounted strut/ damper attachments must not be fully tightened until AFTER the suspension system is loaded (wheels on the ground). Other mounting fasteners (for example brackets) must be securely tightened BEFORE load is placed on the suspension system.
  
- Connect the negative battery pole.

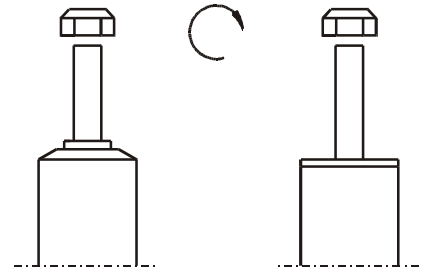
\* optionally: locking device by using setscrews



All diagrams are generalized and not to scale! brackets, etc. specific to strut are not shown!

**list of torques**

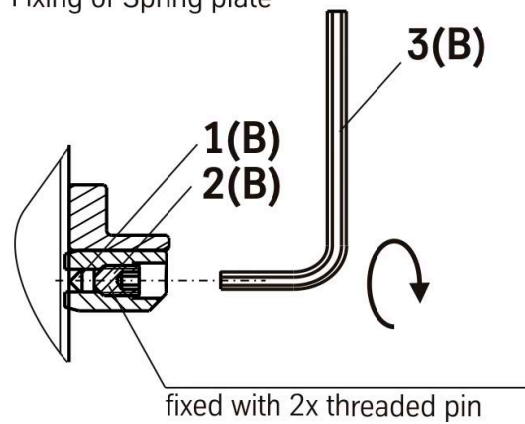
	M8	M 10	M 12	M 14	M 16	Thread
	13	25	45	72	110	Torque Nm
	10	19	34	54	83	Torque ft lb



**Do not use impact tools for loosening or tightening fasteners, because this may destroy the threads. Self- locking nuts must only be used once!**

**Detail**

Fixing of Spring plate



## Removal

Place vehicle on a wheel-free-car hoist, lift it and remove wheels.

Vehicles equipped **with xenon headlight** the movable element of sensor for the headlamp levelling controller must removed before.



**Pay attention that support wires of brake system are strain-free during removal. Stabilization by suitable means is demanded.**

Remove bottom mount.

If necessary release brake hose/ brake hose holder/ stabilizer/ ABS- hose and/ or swing-support at strut.

Remove top mount from support bearing.

Remove complete strut and clamp it in an appropriate strut vice.

Using a suitable, licensed spring compressor, compress suspension spring until tension on support bearing is free to move.

Release centre nut and remove original mounting parts and coil spring. Please refer to diagram to identify which parts will be replaced with BILSTEIN- supplied components.

## Installing

Assemble BILSTEIN and/ or original mounting parts, as well as the new BILSTEIN spring on the BILSTEIN strut in reverse order to removal.



**IMPORTANT! Spring plates must not be adjusted outside the ranges specified below!**

The correct mounting position of the suspension springs can be determined by the printing on the springs; install them with the print upright.

Fit assembled BILSTEIN strut to the vehicle in reverse order to removal.

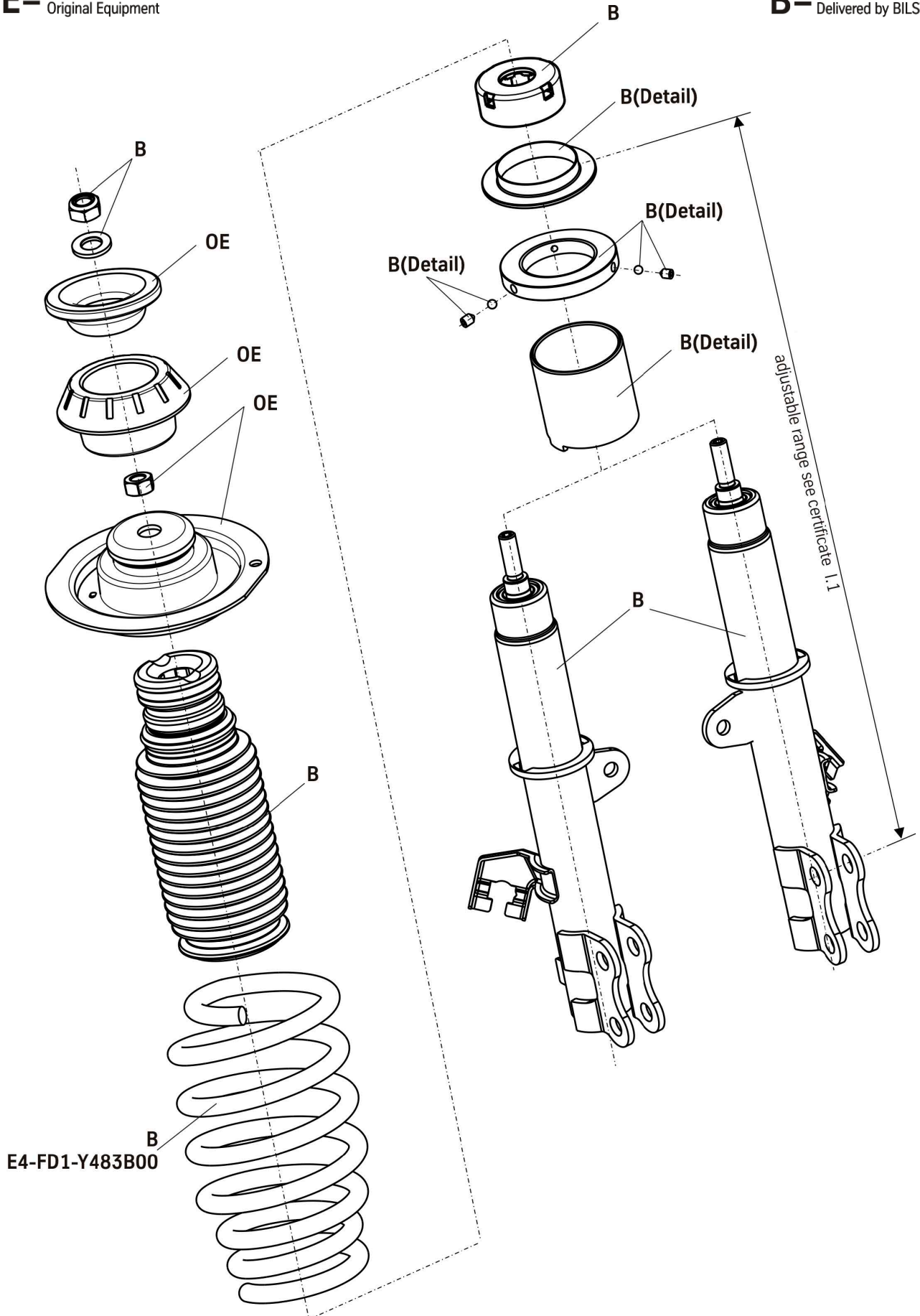


**Certificate -**

- **NISSAN Micra (K13) B14 -**
- **NISSAN Note (E12) B14 -**

**OE=** Original Equipment

**B=** Delivered by BILSTEIN



## Removal

Place vehicle on a wheel-free-car hoist, lift it and remove wheels.



**Pay attention that support wires of brake system are strain-free during removal. Stabilization by suitable means is demanded.**

Remove bottom fixing mount at shock absorber first, then remove top fixing mount from support bearing.

Remove original shock absorber.

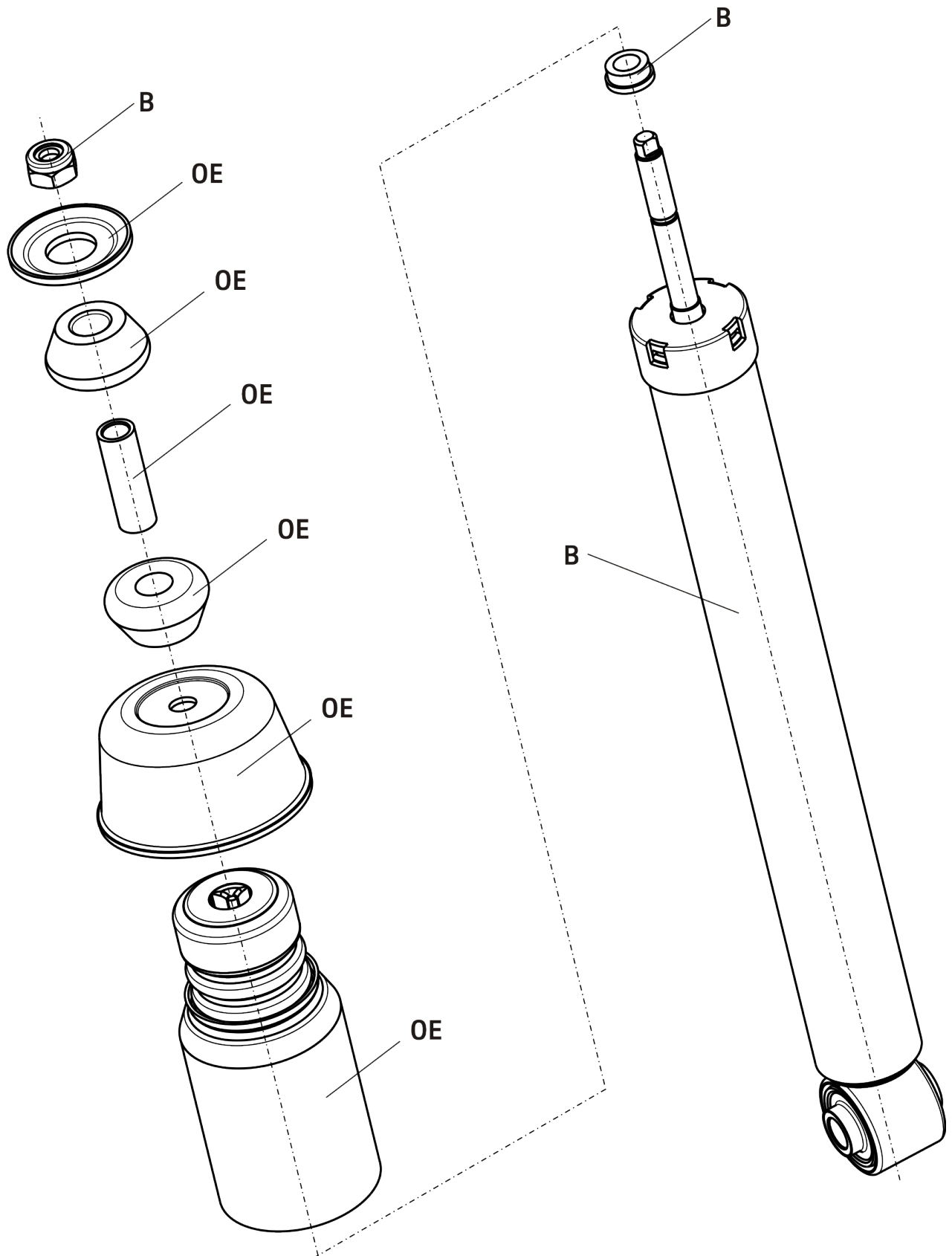
## Installing

Fit BILSTEIN and original mounting parts on BILSTEIN shock absorber according to the sketch next page.

Fit BILSTEIN shock absorber to the vehicle in reverse order to removal.

**OE=** Original Equipment

**B=** Delivered by BILSTEIN





- mounting instruction for rear axle height adjustment

**OE** = Original Equipment

**B** = Delivered by BILSTEIN

