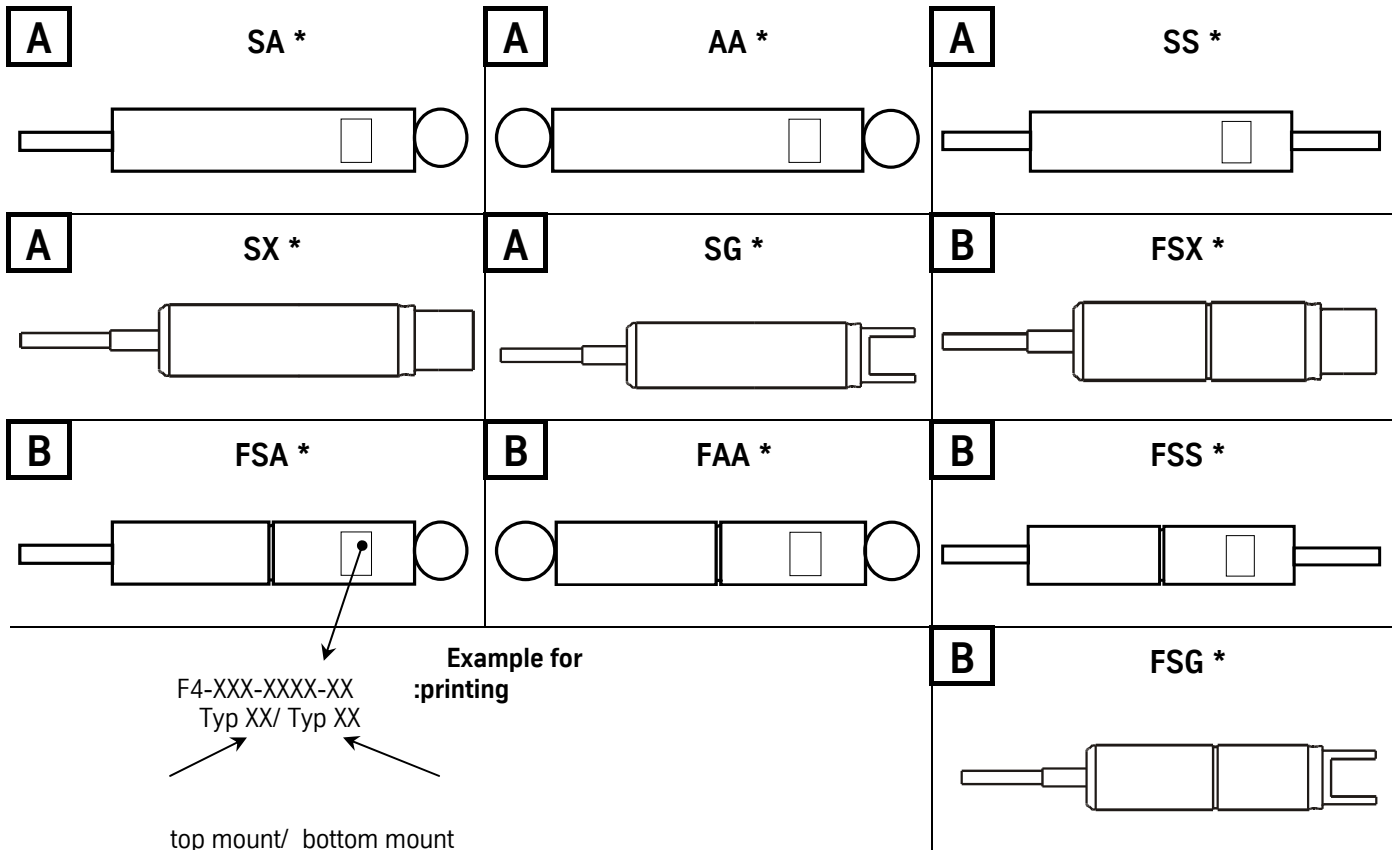




ALL DRAWINGS ARE GENERALIZED!
BRACKETS, ETC. SPECIFIC TO
STRUT ARE NOT SHOWN!

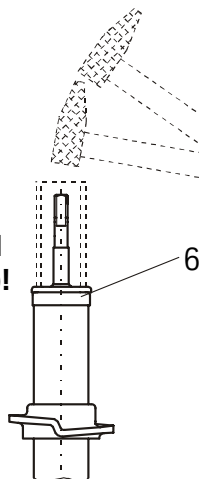
TYPES OF SHOCK ABSORBER

• see application guide side 1



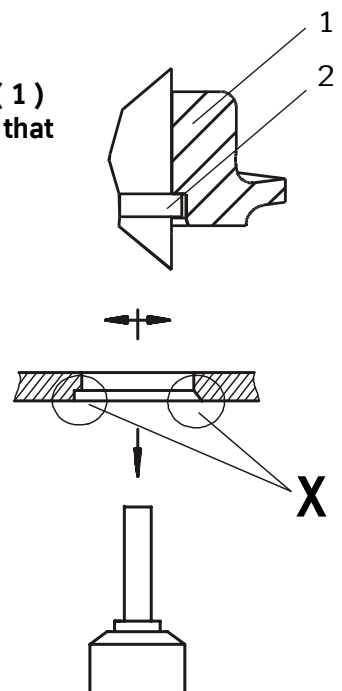
If no dust cover is delivered by BILSTEIN, original dust cover must be reused or replaced.

Do not damage the piston rod when knocking a top cap (6)!



When fitting the spring plate (1) care must be taken to ensure that the circlip ring (2) is seated correctly!

X = Fitting of plates with chamfer (if exist)





A SPRING CARRIED SHOCK ABSORBER

(FSA *, FAA *, FSS *, FSX *)

1. BILSTEIN shock absorber with original spring
2. BILSTEIN shock absorber with BILSTEIN spring
3. Original shock absorber with BILSTEIN spring

Remove

Place vehicle on a chassis hoist,
lift it and remove wheels.



The lower control arm must be supported by suitable means!

Remove bottom mount.

Remove top fixing nuts from support bearing.
Do not remove centre nut at this time!

Remove complete shock absorber and
clamp it in an appropriate strut vice.

Compress suspension spring until ten-
sion on support bearing is released.

Release nut and remove original (mounting
parts) just as original spring. Please check,
which original mounting parts will be renewed
with mounting parts supplied by BILSTEIN.

Fitting

Fit BILSTEIN and/ or original mounting parts
just as the new BILSTEIN spring on the strut
in reverse sequence of removal.



Before releasing the spring, care is to be taken to ensure that the ends of the spring rest in the cut outs of the top and bottom spring plates.

The mounting position of the suspension
springs can be read by the imprint- have
them installed just the way you read the imprint.

Fit assembled shock absorber to the vehicle in
reverse sequence of removal. For to guarantee
correct fitting of mounting parts, it is necessary
to compare the Type- No, printed on damper-
label with the charts on the following pages.

All self- locking nuts must be replaced.
Tightening torques see list on page 3.

E4-WM5-Y217A00 MOUNTING INSTRUCTION



B

STANDARD SHOCK-ABSORBER

(SA *, AA *, SS *, SX *)

1. BILSTEIN shock absorber with original spring
2. BILSTEIN shock absorber with BILSTEIN spring
3. Original shock absorber with BILSTEIN spring

Removal

Place vehicle on a chassis hoist, lift it and remove wheels.

Remove bottom mount.



The lower control arm must be supported by suitable means!

Remove top fixing mount.

Remove shock absorber from vehicle.

Remove original mounting parts.

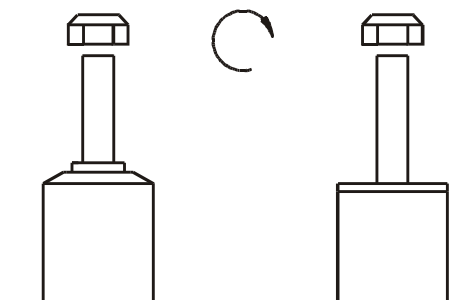
Installing

Fit BILSTEIN and/ or original mounting parts on shock absorber in reverse sequence of removal.

Fit assembled shock absorber to the vehicle in reverse sequence of removal. For to guarantee correct fitting of mounting parts, it is necessary to compare the Type- No, printed on damper- label with the charts on the following pages.

All self- locking nuts must be replaced.
Tightening torques see list below.

list of torques					
M8	M 10	M 12	M 14	M 16	Thread
13	25	45	72	110	Torque Nm
10	19	34	54	83	Torque ft lb



E4-WM5-Y217A00 MOUNTING INSTRUCTION

Typ1 	Typ2 	Typ3 	Typ4 	Typ5 	Typ26 	Typ27 	Typ28 	Typ29 	Typ30
Typ6 	Typ7 	Typ8 	Typ9 	Typ10 	Typ31 	Typ32 	Typ33 	Typ34 <p>Slotted nut torque to min. 48 Nm (35 lbf ft) and insert cotter pin</p> <p>Damper body</p> <p>Vehicle</p>	
Typ11 	Typ12 	Typ13 	Typ14 	Typ15 	Typ35 	Typ37 	Typ38 	Typ39 	Typ40
Typ16 	Typ17 	Typ18 	Typ19 	Typ20 	Typ36 	Typ41 	Typ42 	Typ43 	Typ44
Typ21 	Typ22 	Typ23 	Typ24 	Typ25 	DC-G⁺-Typ Bei Fahrzeugen mit Kurzschass erhalten die beiden Schrauben ø 22/5 nicht				



Learn more about lowering kits on our website.