

# E4-WM5-Y177A01

## MOUNTING INSTRUCTIONS



### Removal:

Place vehicle on a chassis hoist, lift it and remove wheels.



***The damper is used as a „rebound strap“, thus the sway bar link must be supported in an appropriate way! Mark position of original spring plate before removal!***

Release bottom steering arm/ ABS line/ stabilizer/ brake hose and headlight range adjustment sensor (Xenon).

Remove bottom mount and top mount of support bearing.

Remove complete shock absorber- spring assembly and clamp it in an appropriate strut vice.

Compress suspension spring until tension on support bearing is released.

Release nut and remove original equipment mounting parts.



### Installing:

Press original spring plate on to support ring by means of a suitable tool (fig. 4) and fit in marked position on BILSTEIN- shock absorber.

Knock on top cap without tilting (see fig.3).

Reuse original dust cover with bump stop, washer and spring.

***Before releasing the spring, care is to be taken to ensure that the ends of the spring rest in the cutouts of the top and bottom rubber pads and.***

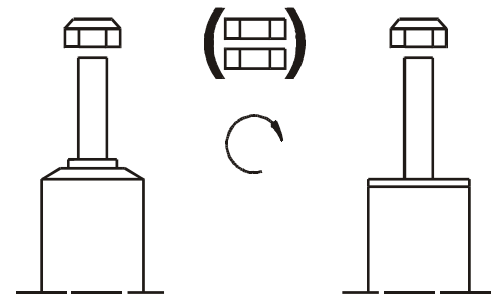
Replace original mounting parts with new ones if they are not in good condition.

Fit assembled shock absorber-spring assembly to the vehicle in reverse sequence of removal.

All self- locking nuts must be replaced. Tightening torques see list.

### List 1

|  | M8 | M 10 | M 12 | M 14 | M 16 | Thread          |
|--|----|------|------|------|------|-----------------|
|  | 13 | 25   | 45   | 72   | 110  | Torque<br>Nm    |
|  | 10 | 19   | 34   | 54   | 83   | Torque<br>ft lb |



# E4-WM5-Y177A01

## MOUNTING INSTRUCTIONS



1. Kolbenstangenmutter Anzugsmoment 27 Nm  
piston rod nut torque 20 ft lb
2. Stützlager Baugruppe  
support bearing assembly
3. Scheibe  
washer
4. Federunterlage  
spring pad
5. Schraubenfeder  
helical spring
6. Schutzrohr  
dust cover
7. Federunterlage  
spring pad
8. Abschlußkappe \*B  
top cap \*B
9. Federblech  
spring plate
10. Stützring \*B  
support ring \*B
11. BILSTEIN- Stoßdämpfer  
BILSTEIN- shock absorber
12. Schraube Anzugsmoment 45 Nm  
screw torque 34 ft lb
13. Sprengring \*B  
circlip \*B
14. Mutter \*B  
nut \*B

\*B - BILSTEIN Lieferumfang  
mounting parts delivered by BILSTEIN

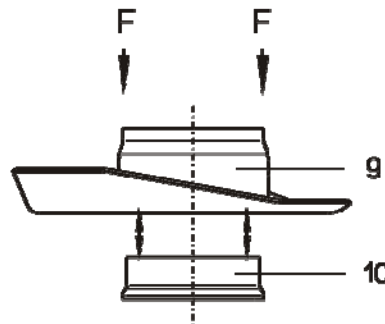
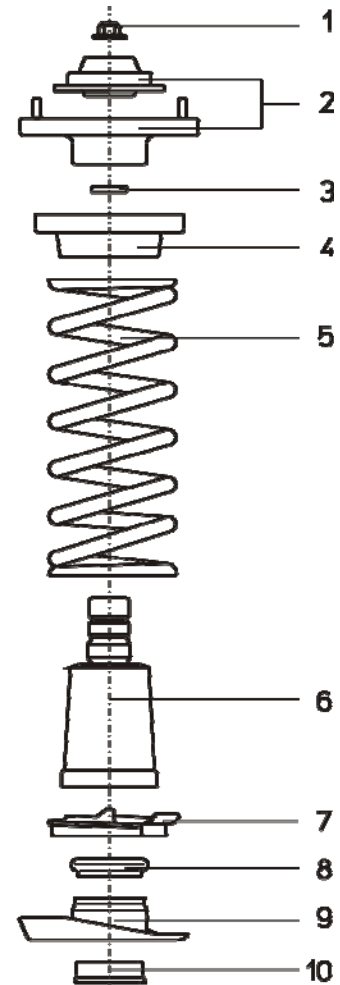


Abb./fig.4

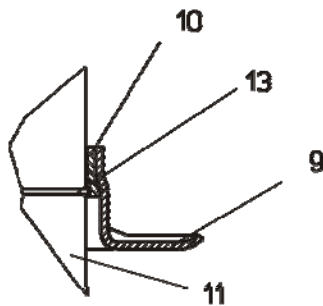


Abb./fig.2

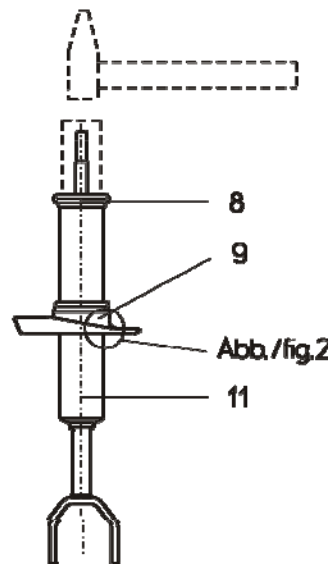


Abb./fig.3

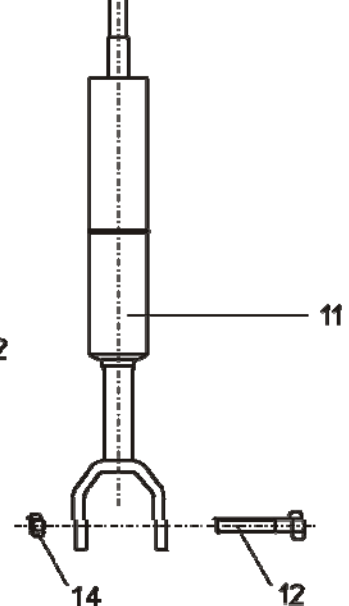


Abb./fig.1