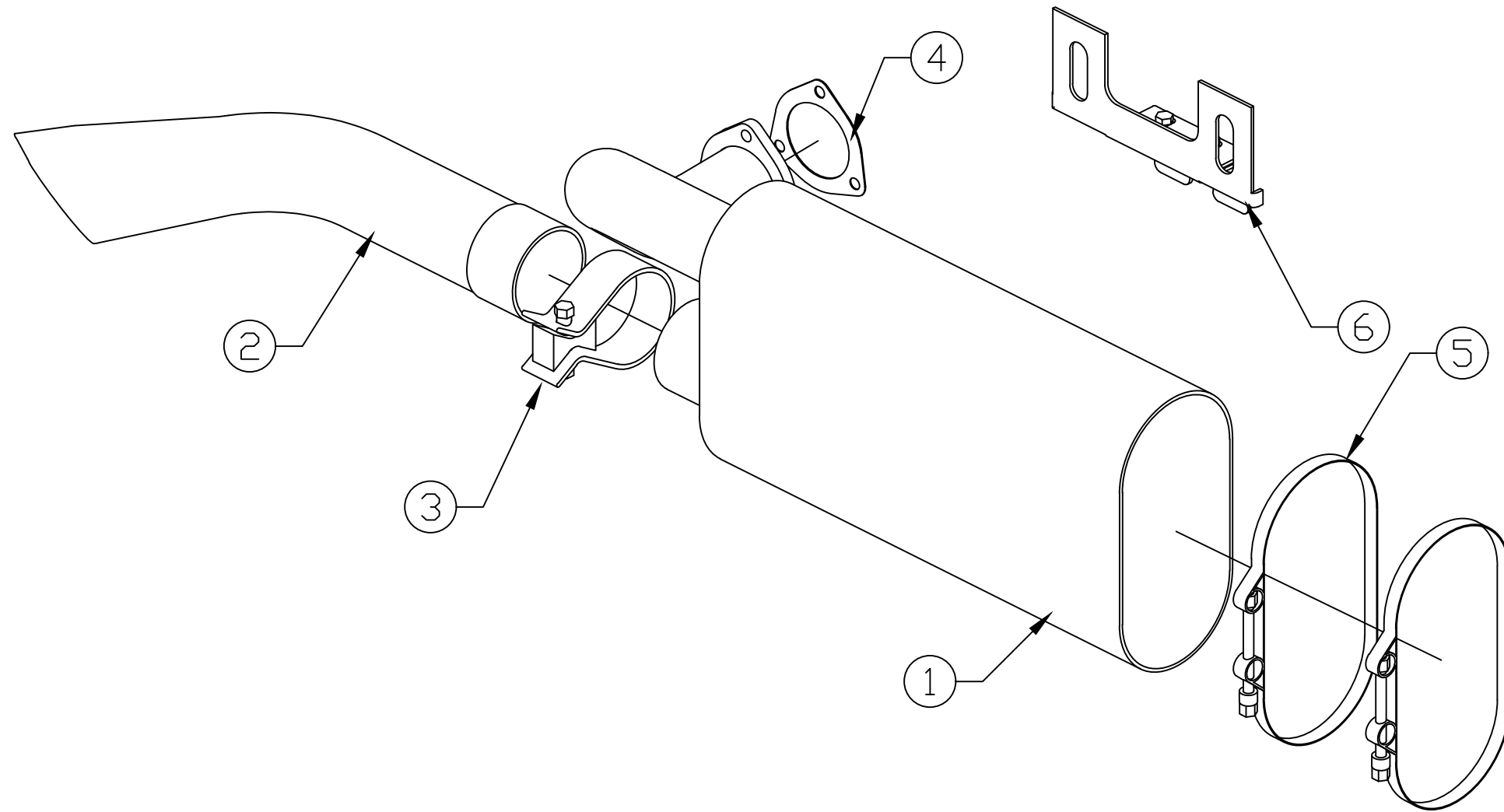


2	1	EA		3.00" TIPS SECTION
3	1	EA		CLAMP- 3.00" BAND
4	1	EA		GASKET- 2.50" 3-BOLT
5	2	EA		CLAMP- 24" CUSTOM BAND
6	1	EA		911 MUFFLER BRACKET
7				
8				



DEBURR ALL SHARP EDGES | REV. | DATE | E.C.N. NO. | BY

911 CARRERA SGL W/ SGL 3.0" TIP

SPECIFICATIONS OF TOLERANCES:
 UNLESS OTHERWISE NOTED:
 DO NOT SCALE DRAWING
 HOLD ALL FRACTIONAL DIMENSIONS TO ±1/16
 HOLD ALL DECIMAL DIMENSIONS TO:
 X.X = ±0.050
 X.XX = ±0.030
 X.XXX = ±0.010

SCALE: NTS | DWN.: JJY
 DATE: 11-11-03 | SHT.: 1 OF 1
 APPROVAL DATE: | APPROVED BY:

UNAUTHORIZED USE, REPRODUCTION OR
 MANUFACTURE IN WHOLE OR IN PART
 IS PROHIBITED. DRAWING, DESIGN AND
 OTHER DISCLOSURES ARE PROPERTY OF
 BILLY BOAT PERFORMANCE EXHAUST

Billy Boat Performance Exhaust
 UNIT(S) | JOB NUMBER: | DRAWING NO.
 INCH | | FPR4300

G
F
E
D
C
B
A

10 9 8 7 6 5 4 3 2 1