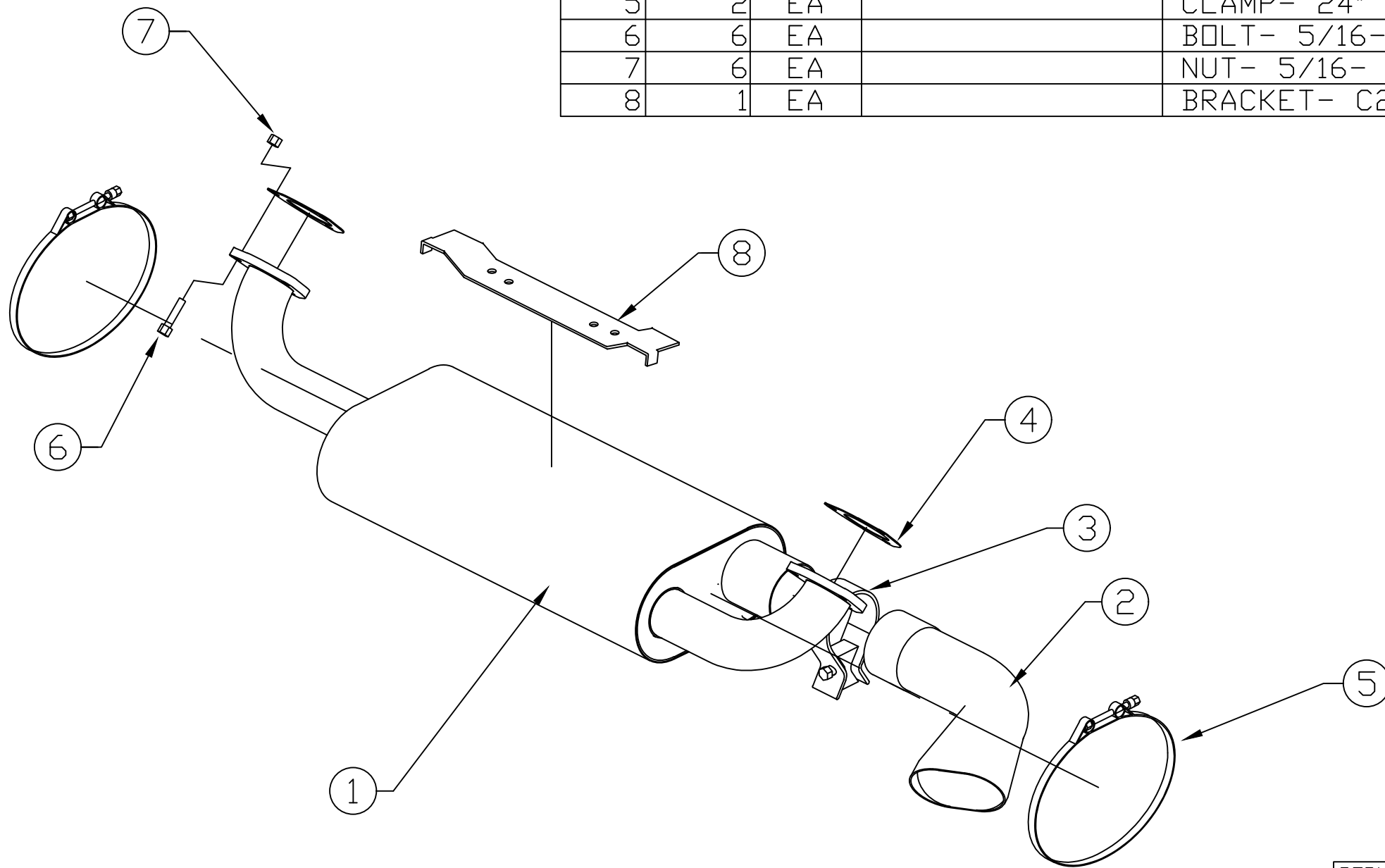


2	1	EA		TIP SECTION
3	1	EA		CLAMP- 3.00" BAND
4	2	EA		GASKET- 2.25" 3-BOLT
5	2	EA		CLAMP- 24" BAND
6	6	EA		BOLT- 5/16- 18 x 1.25
7	6	EA		NUT- 5/16- 18 STOVER LOCK
8	1	EA		BRACKET- C2/4 MUFFLER



DEBURR ALL SHARP EDGES	REV.	DATE	E.C.N. NO.	BY
------------------------	------	------	------------	----

**SPECIFICATIONS OF TOLERANCES:**  
 UNLESS OTHERWISE NOTED:  
 DO NOT SCALE DRAWING  
 HOLD ALL FRACTIONAL DIMENSIONS TO ±1/16  
 HOLD ALL DECIMAL DIMENSIONS TO:  
 X.X = ±0.050  
 X.XX = ±0.030  
 X.XXX = ±0.010

C2/4 MUFFLER B&B W/ SGL 3.0" TIP  
 SCALE: NTS  
 DATE: 11-13-03  
 APPROVAL DATE: \_\_\_\_\_ APPROVED BY: \_\_\_\_\_  
 DWN: JJY  
 SHT: 1 OF 1

UNAUTHORIZED USE, REPRODUCTION OR  
 MANUFACTURE IN WHOLE OR IN PART  
 IS PROHIBITED. DRAWING, DESIGN AND  
 OTHER DISCLOSURES ARE PROPERTY OF  
 BILLY BOAT PERFORMANCE EXHAUST

**Billy Boat Performance Exhaust**  
 UNIT(S) INCH      JOB NUMBER:      DRAWING NO. FPDR0650

G  
F  
E  
D  
C  
B  
A

10      9      8      7      6      5      4      3      2      1