

2	1	EA			GASKET 1 3/4 4-BULL
3					
4					
5					
6					
7					
8					

G

G

F

F

E

E

D

D

C

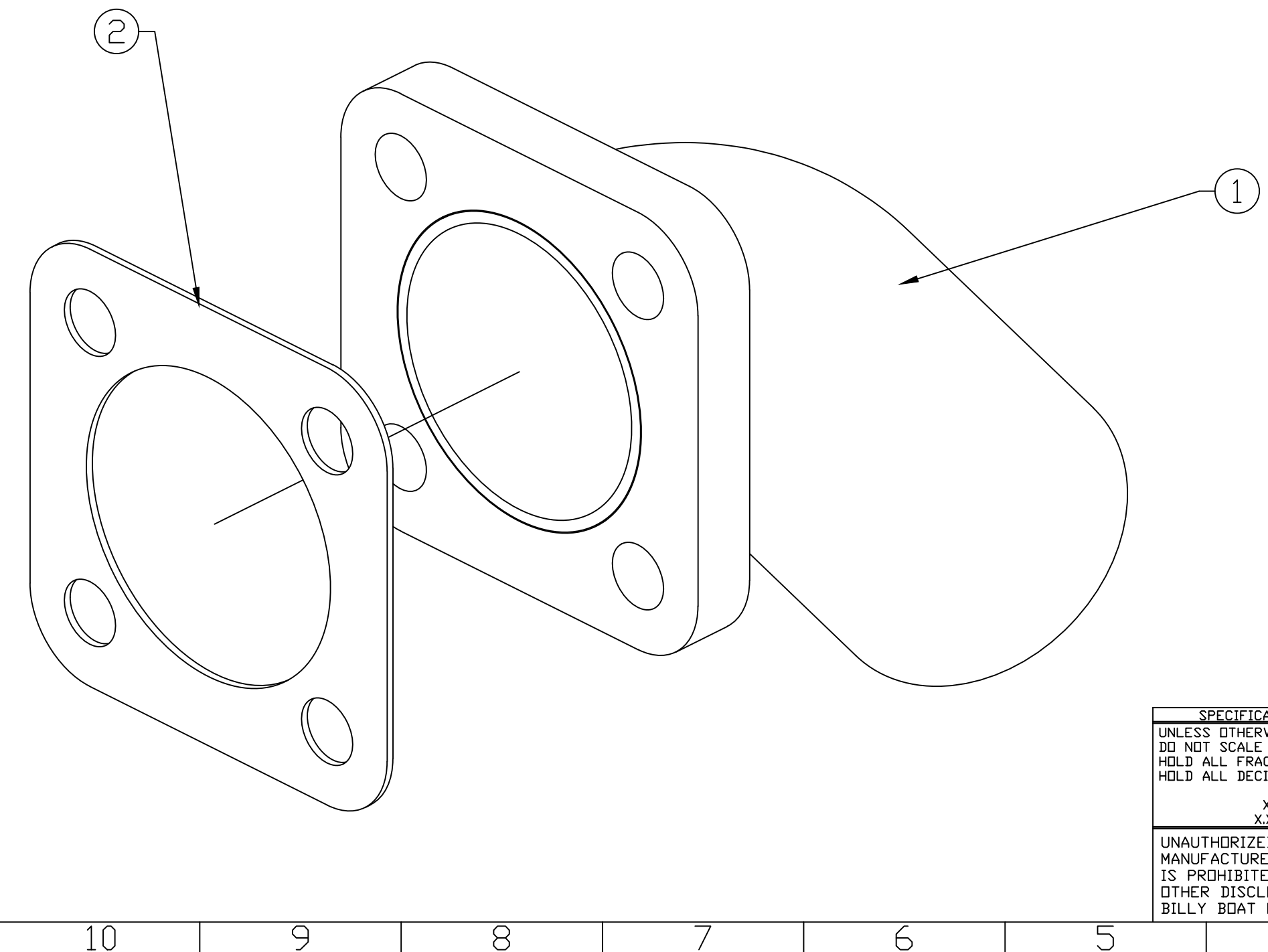
C

B

B

A

A



DEBURR ALL SHARP EDGES	REV.	DATE	E.C.N. NO.	BY
------------------------	------	------	------------	----

**SPECIFICATIONS OF TOLERANCES:**  
 UNLESS OTHERWISE NOTED:  
 DO NOT SCALE DRAWING  
 HOLD ALL FRACTIONAL DIMENSIONS TO ±1/16  
 HOLD ALL DECIMAL DIMENSIONS TO:  
 X.X = ±0.050  
 X.XX = ±0.030  
 X.XXX = ±0.010

930 B&B HEADER WG DUMP PIPE		
SCALE: NTS		DWN: AWL
DATE: 9-23-03		SHT: 1 OF 1
APPROVAL DATE:	APPROVED BY:	

UNAUTHORIZED USE, REPRODUCTION OR  
 MANUFACTURE IN WHOLE OR IN PART  
 IS PROHIBITED. DRAWING, DESIGN AND  
 OTHER DISCLOSURES ARE PROPERTY OF  
 BILLY BOAT PERFORMANCE EXHAUST

<b>Billy Boat Performance Exhaust</b>		
UNIT(S) INCH	JOB NUMBER:	DRAWING NO. FPDR0290

10 9 8 7 6 5 4 3 2 1