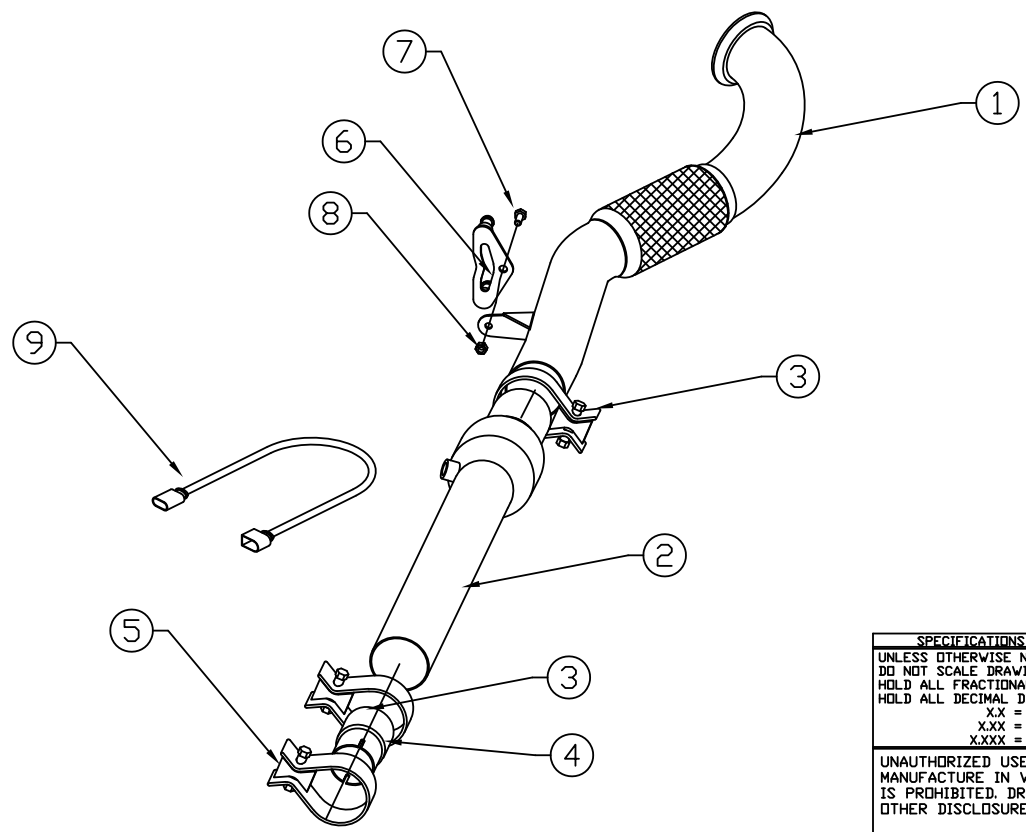


BILL OF MATERIALS					
ITEM	QTY.	U/M	PACKING	ISP INT	DESCRIPTION
1	1	EA			DOWNPIPE SECTION
2	1	EA			CAT SECTION
3	2	EA			CLAMP- 3" BAND
4	1	EA			ADAPTOR
5	1	EA			CLAMP- SPECIAL
6	1	EA			HANGER
7	1	EA			BOLT 3/8-16 x 3/4
8	1	EA			NUT 3/8-16 STOVER LOCK
9	1	EA			O2 EXTENSION WIRE



DEBURR ALL SHARP EDGES		REV.	DATE	E.C.N. NO.	BY
SPECIFICATIONS OF TOLERANCES: UNLESS OTHERWISE NOTED: DO NOT SCALE DRAWING HOLD ALL FRACTIONAL DIMENSIONS TO ±1/16 HOLD ALL DECIMAL DIMENSIONS TO: .XX = ±0.050 .XXX = ±0.030 .XXXX = ±0.010					
A3 QUATTRO DOWNPIPE 2015-					
SCALE: NTS		DATE: 8-30-16		DWN.: AWL	
APPROVAL DATE:		APPROVED BY:			
<b>Billy Boat Performance Exhaust</b> UNAUTHORIZED USE, REPRODUCTION OR MANUFACTURE IN WHOLE OR IN PART IS PROHIBITED. DRAWING, DESIGN AND OTHER DISCLOSURES ARE PROPERTY OF					
UNIT(S) INCH		JOB NUMBER:		DRAWING NO. FPIM0465	