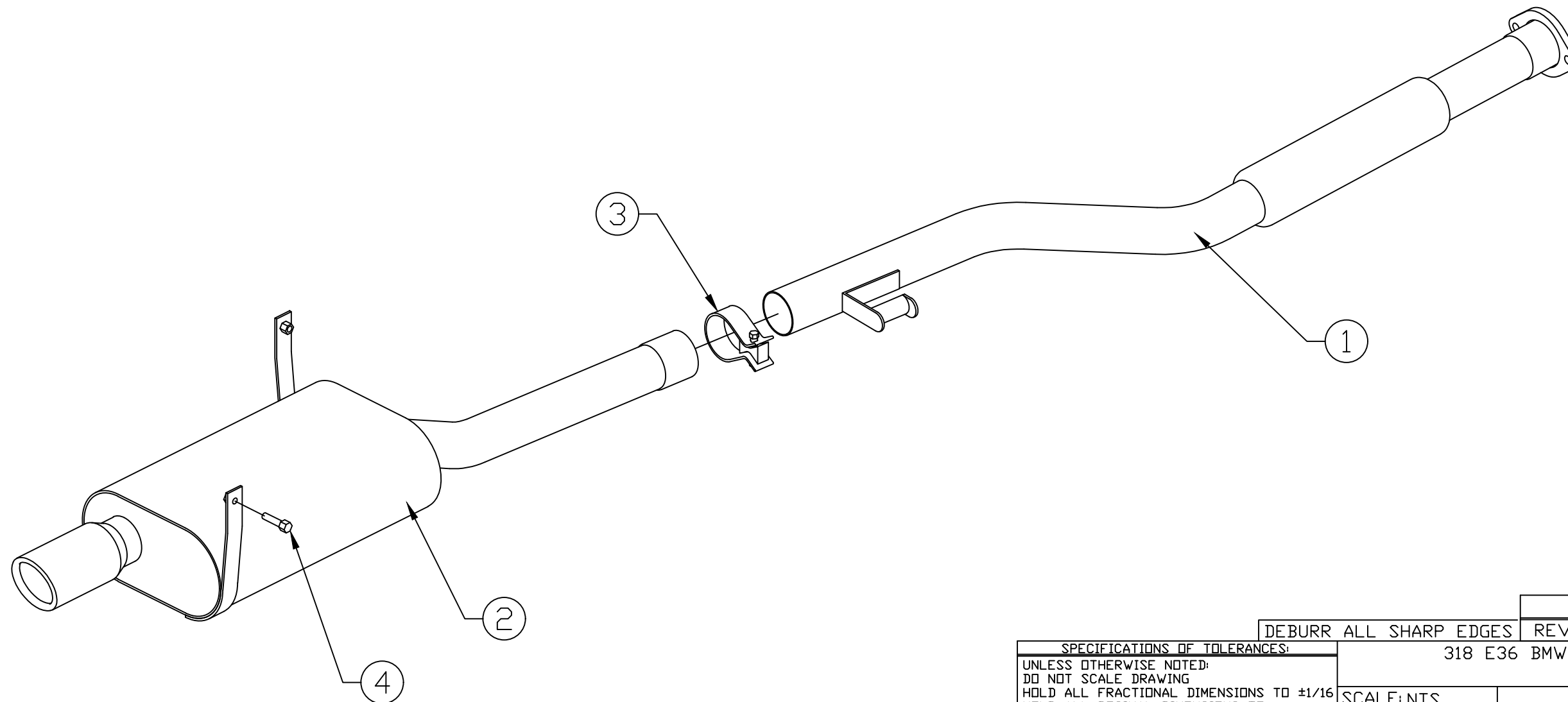


2	1	EA		MUFFLER SECTION
3	1	EA		CLAMP- 2.25" BAND
4	2	EA		BOLT- 8MM x 1.25 x 16
5				
6				
7				
8				



DEBURR ALL SHARP EDGES				REV.	DATE	E.C.N. NO.	BY
SPECIFICATIONS OF TOLERANCES:				318 E36 BMW W/ SGL 3.0" TIP			
UNLESS OTHERWISE NOTED: DO NOT SCALE DRAWING HOLD ALL FRACTIONAL DIMENSIONS TO ±1/16 HOLD ALL DECIMAL DIMENSIONS TO: X.X = ±0.050 X.XX = ±0.030 X.XXX = ±0.010				SCALE: NTS	DWN: JJY		
				DATE: 11-07-03	SHT: 1 OF 1		
				APPROVAL DATE:	APPROVED BY:		
UNAUTHORIZED USE, REPRODUCTION OR MANUFACTURE IN WHOLE OR IN PART IS PROHIBITED. DRAWING, DESIGN AND OTHER DISCLOSURES ARE PROPERTY OF BILLY BOAT PERFORMANCE EXHAUST				Billy Boat Performance Exhaust			
UNIT(S) INCH		JOB NUMBER:		DRAWING NO. FBMW0210			

10 9 8 7 6 5 4 3 2 1