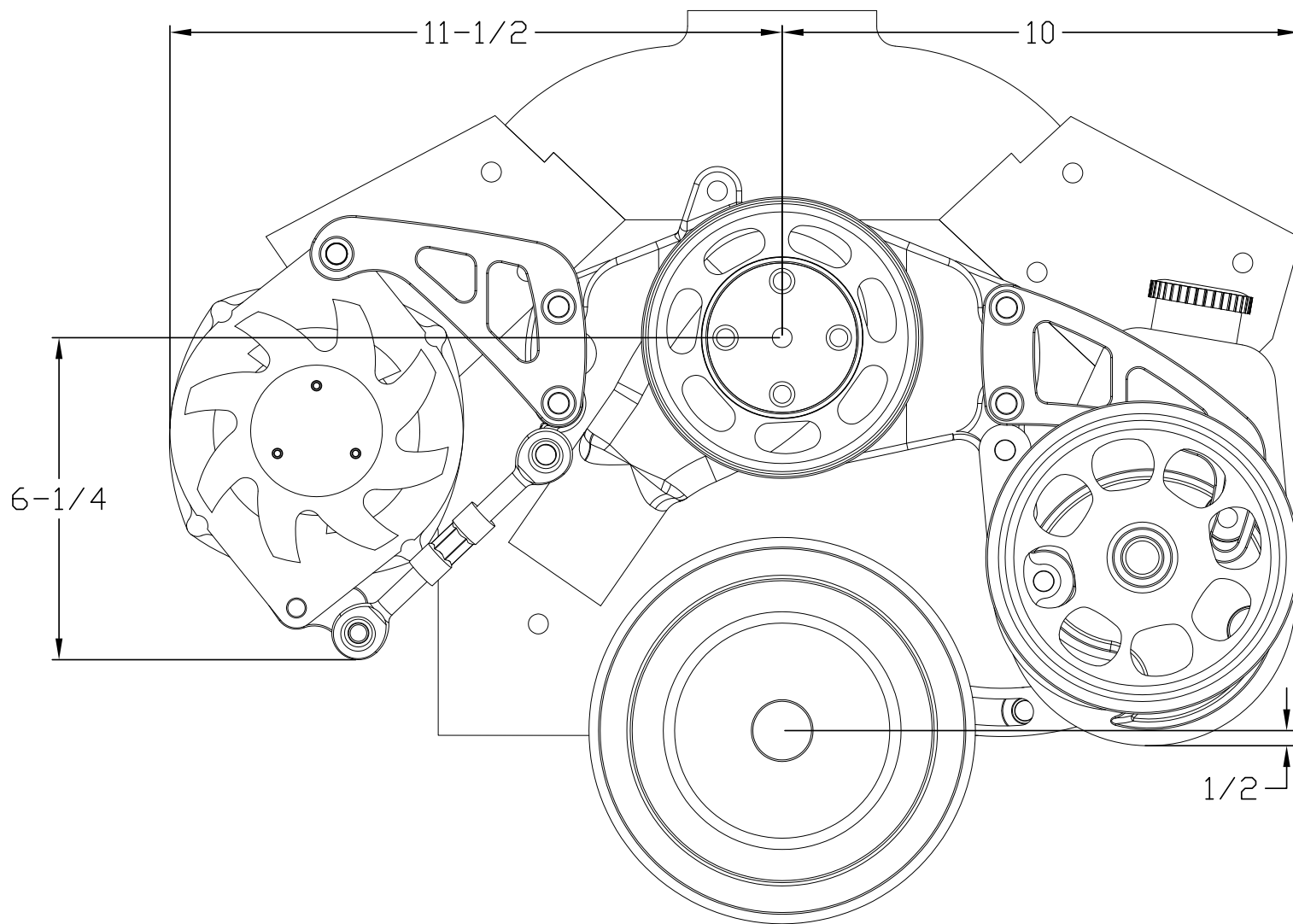




SB Chevy LWP Mid Mount FM Bracket Kits
FM0107/FM0130/FM2120PC/FM2121PC/FM2122PC

From block face to tip of water pump pulley = 8.125"



Find out more about performance engine parts we have.