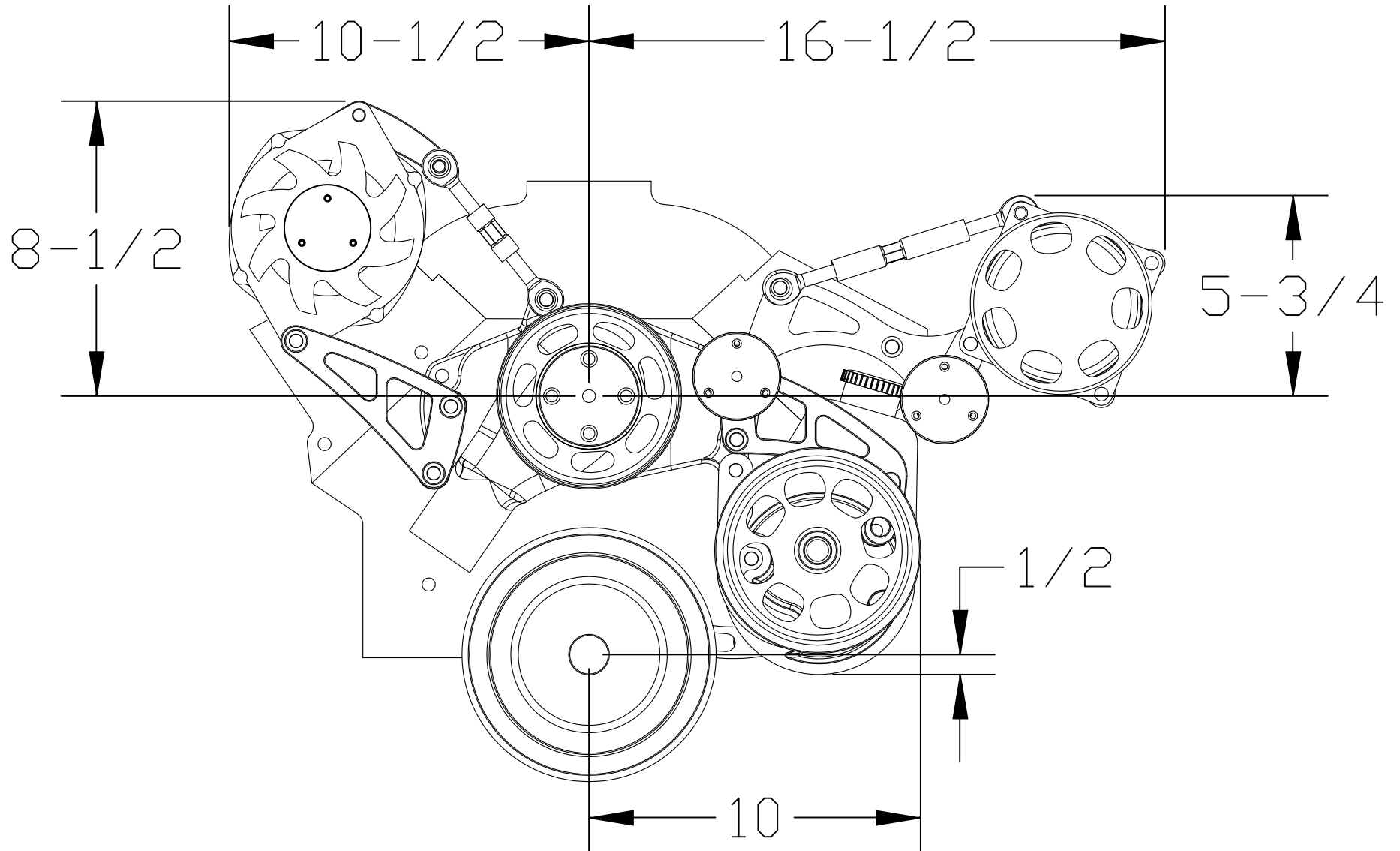




SB Chevy LWP Top Mount FM Bracket Kits
FM0109/FM0130/FM2110PC/FM2111PC/FM2112PC/FM2113PC/FM2114PC

From block face to tip of water pump pulley = 8.125"



Find out more about performance engine parts we have.