



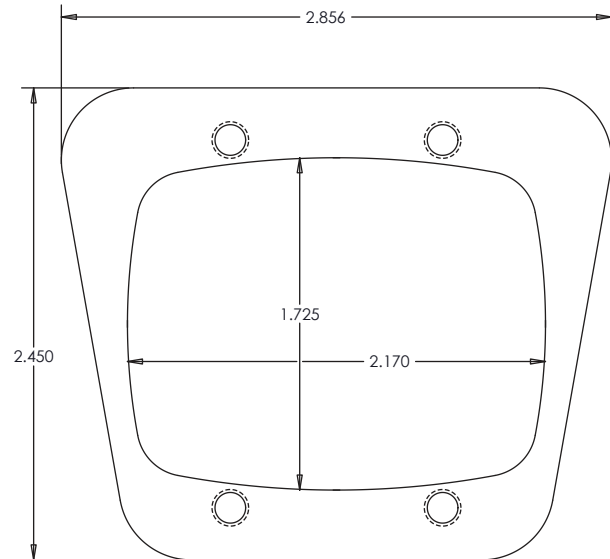
1958 - 1964 Full Size Chevy E-Brake Pedal #199640 / #199645

Tools Needed:

- 1/8" Allen wrench

1. Remove rubber cover from pedal.
2. Install a 10-32 x 1/4" button head cap screw with flat washer half-way into the top holes on the backside of the e-brake pedal cover.
3. Place the billet cover over the e-brake pedal allowing the button head cap screws and washers to hang over the top side.
4. Thread the remaining two 10-32 x 1/4" button head cap screws with flat washers into the two lower holes on the backside of the billet pedal cover.
5. Finish by tightening the top and bottom fasteners securely with a 1/8" Allen wrench.

Check operation of pedal to ensure proper contact and clearance.



Due to multiple sources used by the auto manufacturer, some pedals may have to be trimmed for the pedal cover to fit properly.

