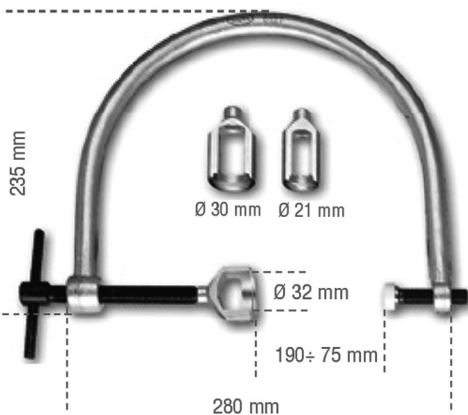


# Beta

## 1452K

### VALVE SPRING COMPRESSOR



- 1) *Select one of the flanges supplied with the valve spring compressor, Ø: 21, 30, 32 mm. Fix it onto the valve spring compressor by means of the screw.*
- 2) *Open the compressor by means of the adjusting screw. Close the compressor, placing the flange onto the valve, releasing the spring.*
- 3) *Repeat the operation for each valve which requires it.*

**GB** INSTRUCTIONS FOR USE