



# Installation Instructions



## Duster™ Deck Cover Extension



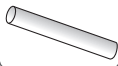
(Dual Top/Soft Top Only)

### Vehicle Application

- Jeep Wrangler JK Unlimited  
2007 to current  
Part Number: 90034

Must be used with JK Unlimited Duster Part Number 90031

INSTALLATION TIME	SKILL LEVEL
 1/2 Hour	 1 - Easy

TOOLS		
 Safety Glasses	 Phillips Screwdriver	 Chalk





### Installation Tips

Before you begin installing this assembly, read all instructions thoroughly.

#### For a smooth fit:

For ease in installation, the product should be installed at temperatures above 72° F. Below this temperature, the fabric may contract an inch or more, making it difficult to fit to the vehicle. It is normal for fabric to contract and wrinkle when stored in the shipping carton. Within a few days after the installation, the fabric will relax and the wrinkles will disappear.

 **CAUTION** Safety glasses should be worn at all times while installing this product.

 **WARNING** This product is designed primarily to enhance the appearance of the vehicle and to shield the occupants from ordinary weather conditions. Do not rely in any way on the components of this product to contain occupants within the vehicle, or to protect against injury or death in the event of an accident. This product will not protect the occupants from falling objects. Never operate the vehicle in excess of manufacturer's specifications.

#### WEAR SEAT BELTS AT ALL TIMES

Read and follow, precisely, all installation instructions provided when installing product. Failure to do so may result in a poor fit and could place occupants of the vehicle in a potentially dangerous situation.

# Duster™ Deck Cover Extension – Installation Instructions

## Parts List

Duster™ Deck Cover Extension Qty - 1



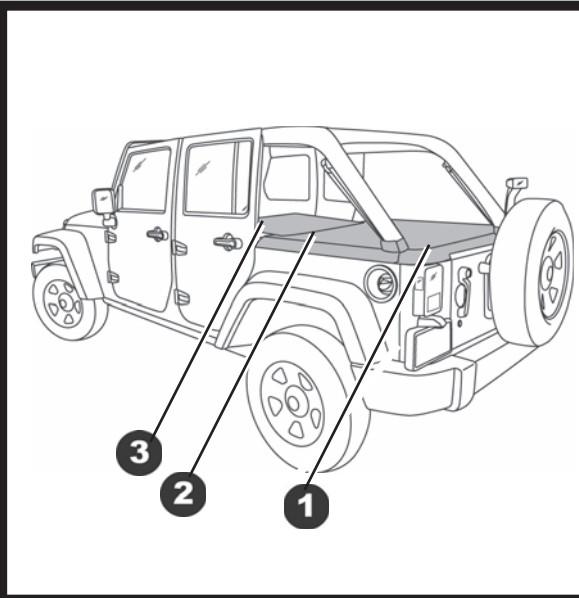
Acorn Locknut, Part Number 427.11, Qty - 5

Snap Head Screw, Part Number 200.49, Qty - 5

## 1 Install Duster™ Deck Cover

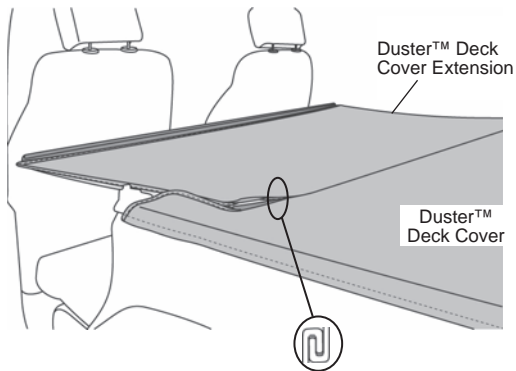
Make sure your Duster™ Deck Cover is installed on the vehicle and the seat belts are tucked into the collars.

Fold down the rear seat and slide the front seats all the way forward.



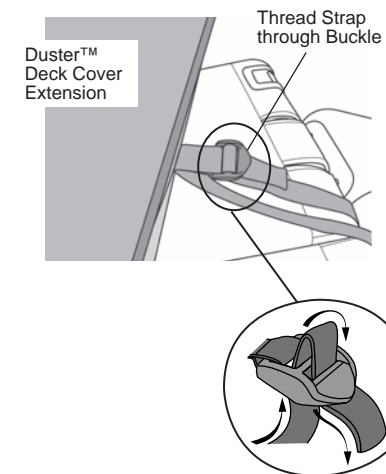
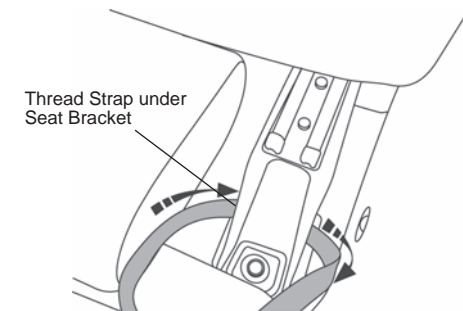
## 2 Install Extension on Duster™ Deck Cover™

Orient the Duster™ Deck Cover Extension with the straps toward the front. Slide the plastic hook on the rear of the Extension onto the plastic hook on the front of the Duster™ Deck Cover. Center the Extension and fasten the hook and loop strips.



## 3 Secure Center Straps

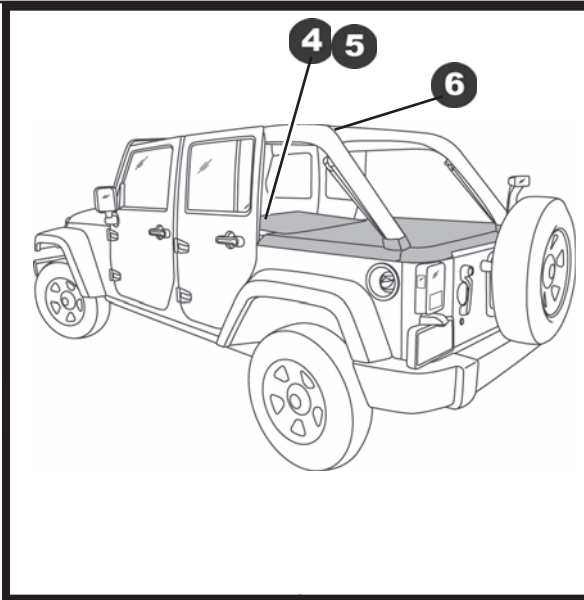
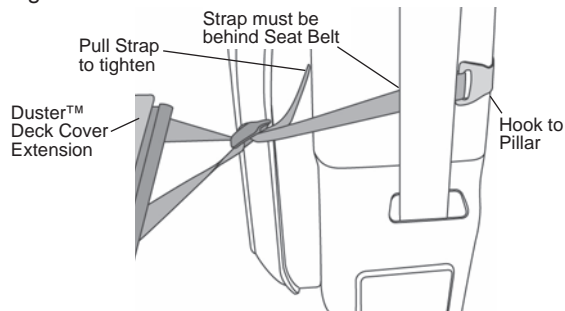
Locate the two (2) long straps in the center of the Duster™ Deck Cover Extension. Wrap them under the seat brackets. Thread the end of each strap through the buckle and tighten.



## Duster™ Deck Cover Extension – Installation Instructions

### 4 Install Side Straps

Locate the outside straps, one (1) on each front corner of the Duster™ Deck Cover Extension. Slip each strap between the seat belt and the front pillar. Hook the end of the strap to the front pillar so that the hook is level with the Duster™ Deck Cover Extension. Pull the end of the strap to tighten.



### 6 Secure Windjammer™ Straps – Optional

Start with the center straps and thread the end of each strap around the sport bar and through each buckle. Loosely tighten each strap to hold the Windjammer™ in position.

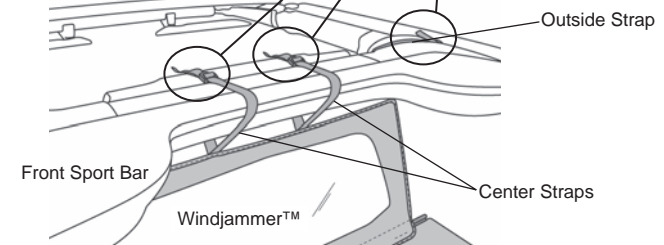
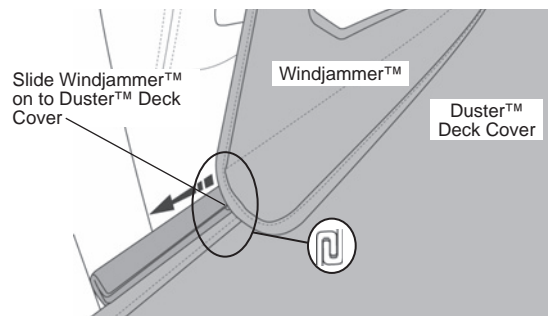
Wrap the outside straps around the sport bar to the outside and thread the ends through the buckles. Tighten the straps.



### 5 Install Windjammer™ – Optional

If you wish to install a Windjammer™ on your vehicle, slide the plastic hook inside the bottom of the Windjammer™ onto the plastic hook along the front of the Duster™ Deck Cover Extension.

Center the Windjammer and fasten the hook and loop strips.



## Duster™ Deck Cover Extension – Installation Instructions

### **7** Install Snaps to Secure Duster™ Deck Cover Extension to Duster™ Deck Cover – Optional

Pull the flap on the rear of the Duster™ Deck Cover Extension out over the top of the front edge of the Duster™ Deck Cover.

Rub chalk on the snaps on the Duster™ Deck Cover Extension flap. Pull up on the front reinforced edge of the Duster™ Deck Cover and press the snaps against the Duster™ Deck Cover to mark the locations.

At the marked locations, push the sharp end of a Snap Head Screw through the Duster™ Deck Cover from the backing side and through both layers of fabric, to make a hole. Once the hole is formed, pull the screw back out of the hole. Then push the screw through the hole from the vinyl side so that the snap is on top of the vinyl. Install an Acorn Locknut over the pointed end of the Snap Head Screw.

