





Installation Instructions


Duster™ Deck Cover

(Dual Top/Soft Top Only)

Vehicle Application

- Jeep JK Wrangler
2007
Part Number: 90033

INSTALLATION TIME	SKILL LEVEL
 1/2 Hour	 1 - Easy

TOOLS
 Safety Glasses





Installation Tips

Before you begin installing this assembly, read all instructions thoroughly.

For a smooth fit:

For ease in installation, the product should be installed at temperatures above 72° F. Below this temperature, the fabric may contract an inch or more, making it difficult to fit to the vehicle. It is normal for fabric to contract and wrinkle when stored in the shipping carton. Within a few days after the installation, the fabric will relax and the wrinkles will disappear.

 **CAUTION** Safety glasses should be worn at all times while installing this product.

 **WARNING** This product is designed primarily to enhance the appearance of the vehicle and to shield the occupants from ordinary weather conditions. Do not rely in any way on the components of this product to contain occupants within the vehicle, or to protect against injury or death in the event of an accident. This product will not protect the occupants from falling objects. Never operate the vehicle in excess of manufacturer's specifications.

WEAR SEAT BELTS AT ALL TIMES

Read and follow, precisely, all installation instructions provided when installing product. Failure to do so may result in a poor fit and could place occupants of the vehicle in a potentially dangerous situation.

Duster™ Deck Cover – Installation Instructions

Parts List

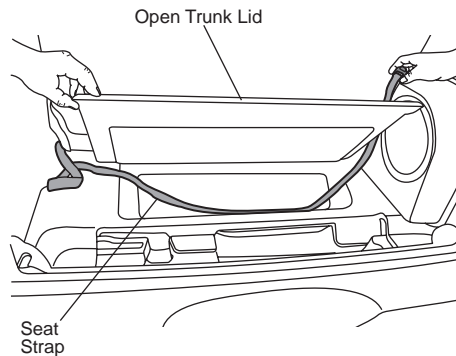
Duster™ Deck Cover	Qty - 1
Seat Strap	Qty - 1

1 Remove Soft Top

Remove the soft top and hardware. Set the Tailgate Bar aside to be used to install the Duster Deck Cover.

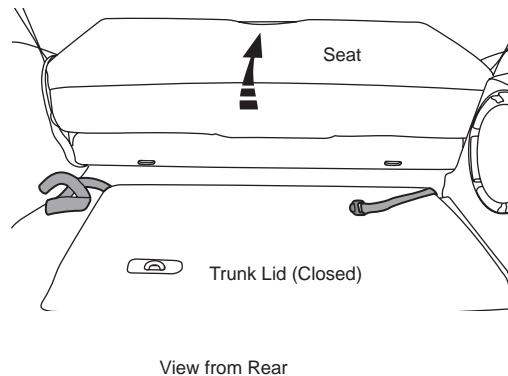
2 Place Seat Strap in Trunk

Open the trunk and lay the Seat Strap across the bottom of the trunk.



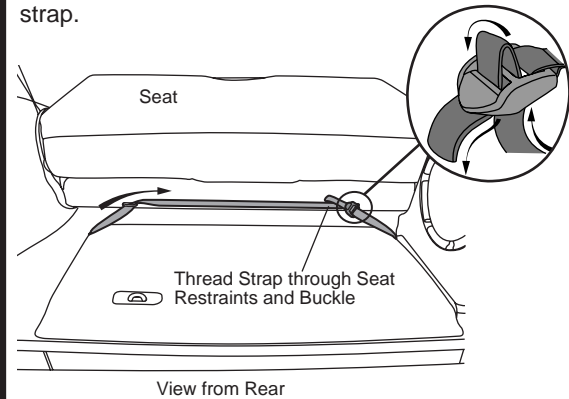
3 Tumble Seat Forward

Fold the seat forward.



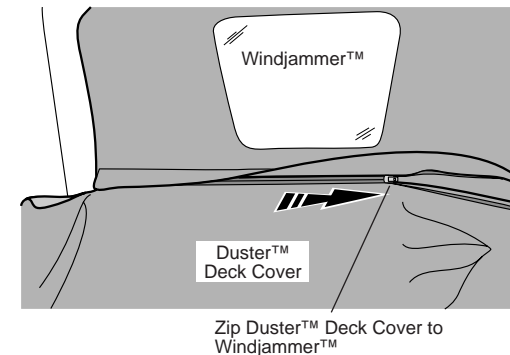
4 Thread Seat Strap through Child Seat Restraints

Thread the end of the Seat Strap through the child seat restraints and through the buckle. Tighten the strap.



5 Secure Duster™ Deck Cover to Windjammer™ – Optional

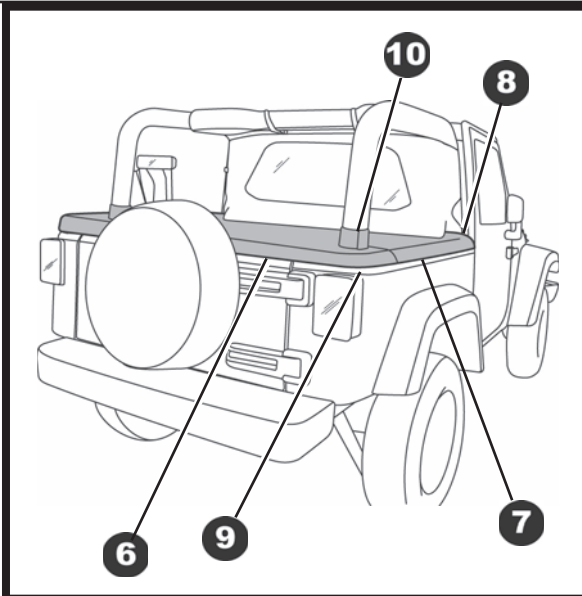
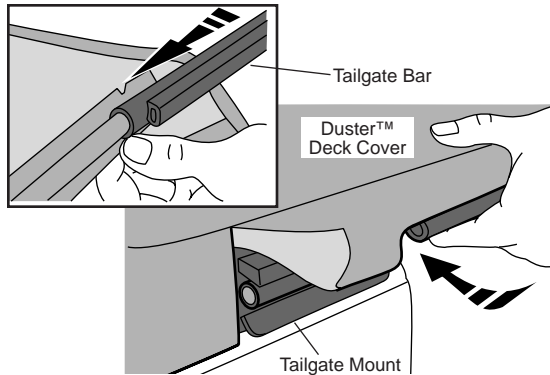
If you have a Windjammer™ on your vehicle, zip the Duster™ Deck Cover to the zipper under the flap on the Windjammer™.



Duster™ Deck Cover – Installation Instructions

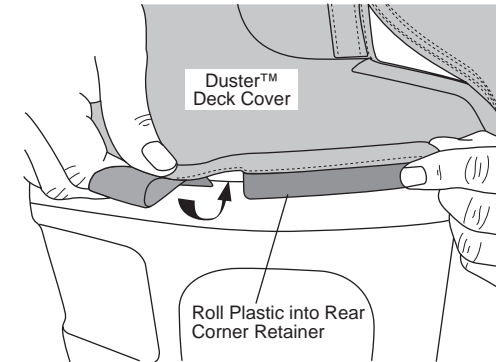
6 Install Tailgate Bar

Slide the "C" channel on the Tailgate Bar onto the tubed strip sewn to the rear of the Duster™ Deck Cover. Insert the Tailgate Bar into the mounts on each side of the tailgate opening.



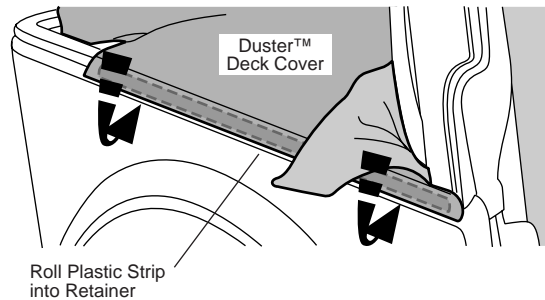
9 Secure Rear Corners

Roll the plastic strip on the rear corners of the Duster™ Deck Cover into the retainer channel on the vehicle.



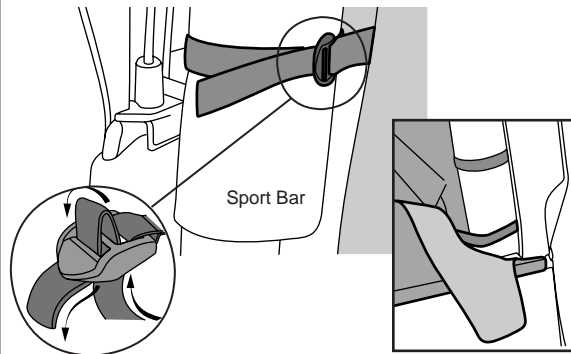
7 Secure Plastic Strips

Roll the plastic strip on each side of the Duster™ Deck Cover into the retainer channel on the vehicle.



8 Secure Straps

Wrap the straps on the front of the Duster™ Deck Cover around the sport bar and the bows. Thread the end through the buckle.



10 Secure Collars

Wrap the two (2) collars around the rear sport bars and fasten the hook and loop strips to each other.

