

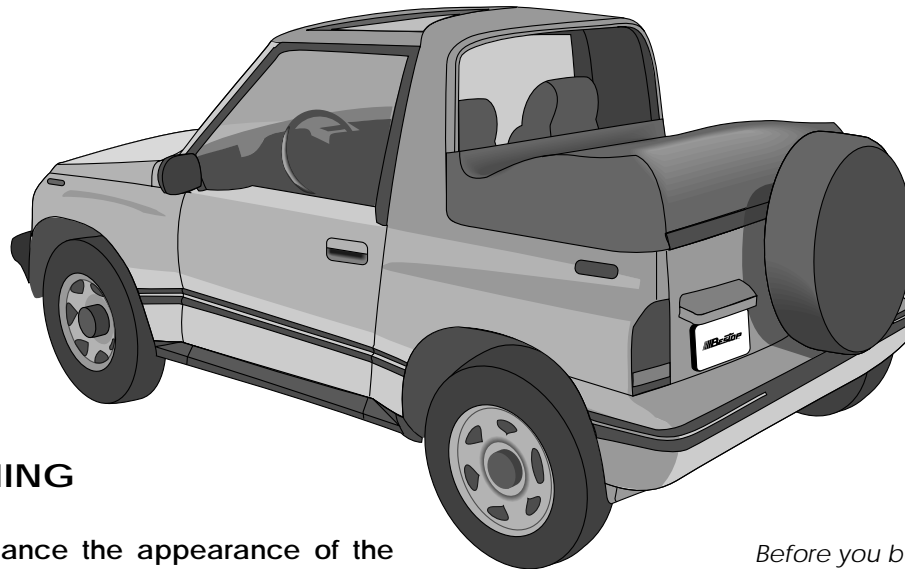


Bestop

Duster Deck Cover Installation Instructions

For: 1995 GEO Tracker and Suzuki Sidekick

Part Number 90029



WARNING

This product is designed to enhance the appearance of the vehicle and to shield the occupants from ordinary weather conditions. Do not rely in any way on the components of this product to contain occupants within the vehicle, or to protect against injury or death in the event of an accident. This product will not protect the occupants from falling objects. Never operate vehicle in excess of manufacturer's specifications.

WEAR SEAT BELTS AT ALL TIMES.

Read and follow, precisely, all installation instructions provided when installing this product. Failure to do so may result in a poor fit and could place occupants of the vehicle in a potentially dangerous situation.

Installation Tips

Before you begin installing this Duster assembly, read all instructions thoroughly. Below are a few tips to make this installation easier.

For a smooth fit:

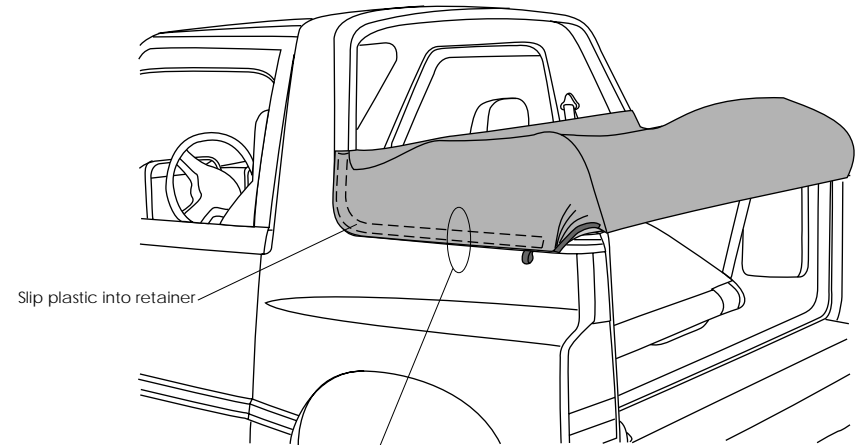
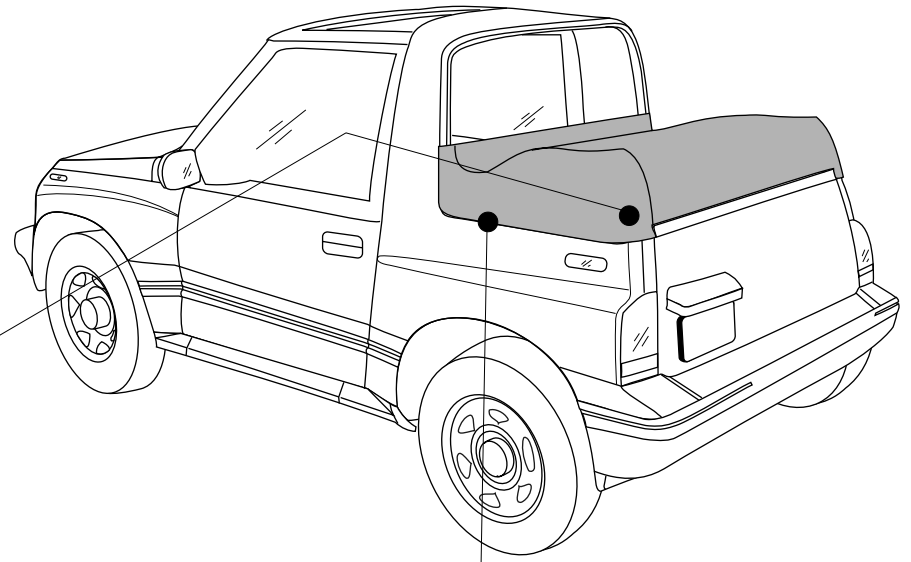
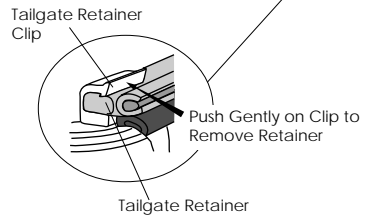
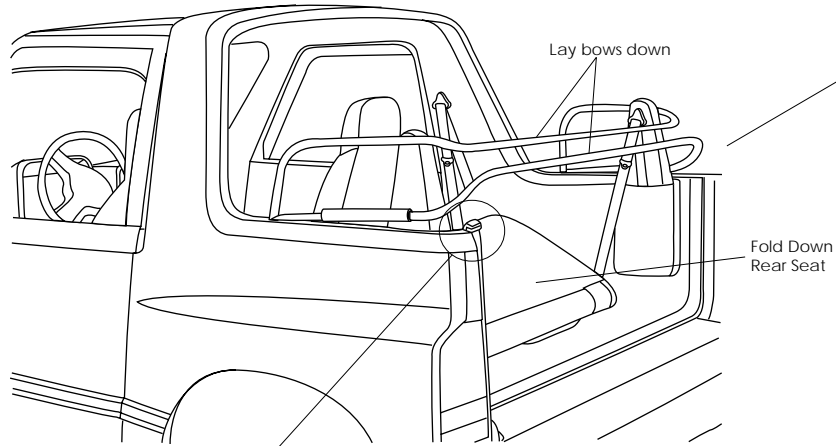
For ease in installation, the Duster should be installed at temperatures above 72° F. Below this temperature, the top may contract an inch or more, making it difficult to fit to the vehicle.

It is normal for the fabric to contract and wrinkle when stored in the shipping carton. Within a few days after the installation, the fabric will relax and the wrinkles will disappear.

Step One

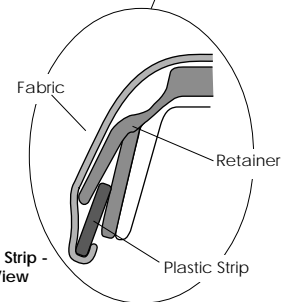
Remove the top. Open the tailgate. Remove the Tailgate Retainer from the clips on each side of the tailgate opening. (Press gently on the retainer to release).

Fold down the rear seat. Lay both bows down on the rear of the vehicle.



Step Two

Orient the Duster with the tubed edge to the rear and drape it over the rear of the vehicle. Slip the "L" shaped plastic strip, sewn along the side of the cover, into the retainer on the vehicle.

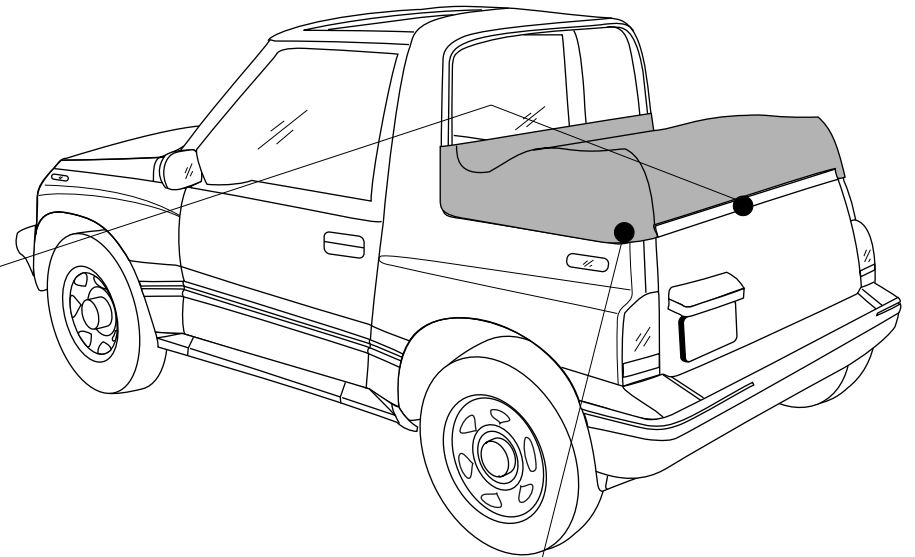
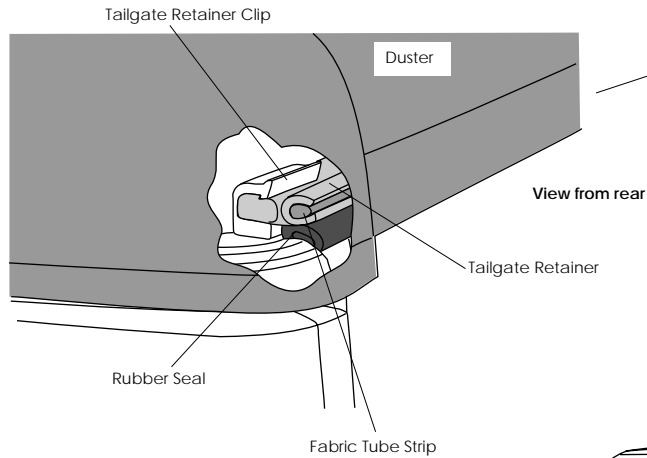


BESTOP

Step Three

Slide the Tailgate Retainer onto the tube strip sewn just inside the bottom edge of the Duster at the rear of the vehicle.

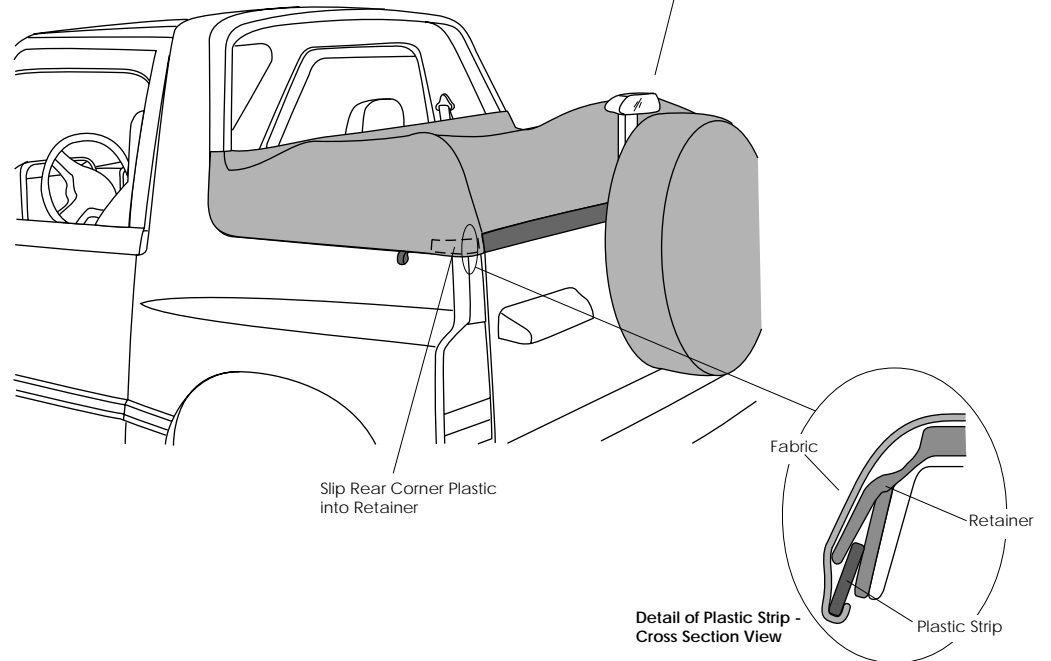
Slip the Tailgate Retainer back into the clips on each side of the tailgate opening. Press in sharply to engage the retainer.



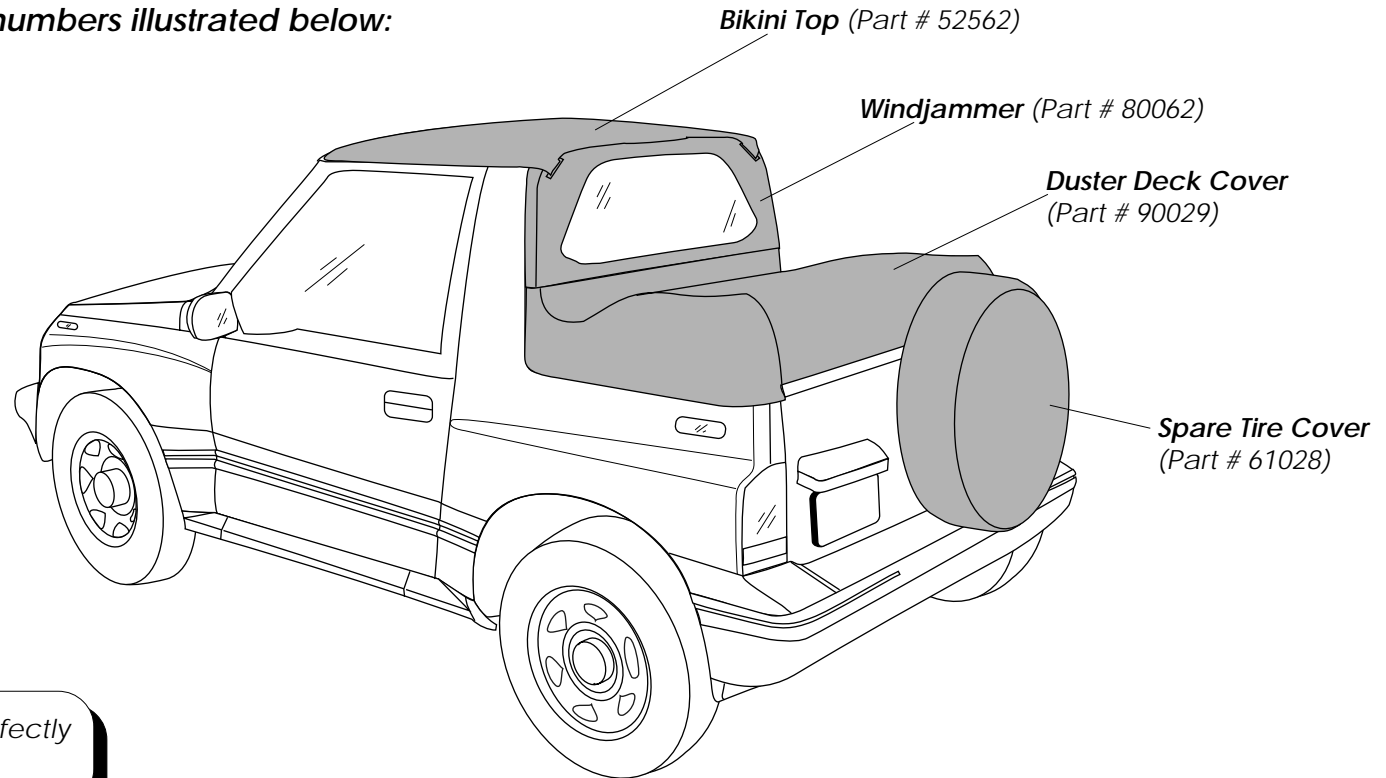
Step Four

Slip the plastic strip sewn into the rear corners of the Duster, on each side of the vehicle, into the corner retainers on the vehicle.

Close the tailgate.



The Bestop and Roughrider brand Duster Deck Covers are designed for use as "stand alone" accessories or may be used in conjunction with Bikini Tops and Windjammer Rear Window Assemblies. If you wish to order additional accessories for your Tracker/Sidekick, please advise your supplier using the part numbers illustrated below:



All accessories are perfectly color matched.

Similar accessories are available for 1994 or earlier model vehicles. Please ask your supplier.

