



# Duster Deck Cover Installation Instructions

For: Jeep® Wrangler, 2003  
with Factory Original Soft Top

Part Number: 90012



**DO NOT INSTALL THIS PRODUCT ON ANY VEHICLE OTHER THAN THOSE LISTED ABOVE.**  
This product is only designed for the vehicles listed above. Failure to install this product on the proper vehicle could cause injury to the vehicle occupants and damage to the product.

## Installation Tips

Before you begin installing this product, read all instructions thoroughly. Below are a few tips to make this installation easier. After completing the installation, keep these instructions for further reference.

### For a smooth fit:

For ease in installation, the Duster should be installed at temperatures above 72° F. Below this temperature, the fabric may contract an inch or more, making it difficult to fit to the vehicle.

It is normal for the fabric to contract and wrinkle when stored in the shipping carton. Within a few days after the installation, the fabric will relax and the wrinkles will disappear.



## WARNING

This product is designed to enhance the appearance of the vehicle. Do not rely in any way on the components of this product to contain occupants or cargo within the vehicle, or to protect against injury or death in the event of an accident. Never operate vehicle in excess of manufacturer's specifications.

### WEAR SEAT BELTS AT ALL TIMES

Read and follow, precisely, all installation instructions provided when installing this product. Failure to do so could place occupants or cargo of the vehicle in a potentially dangerous situation. After installing or reinstalling, check to make sure it has been properly installed.

# Installation

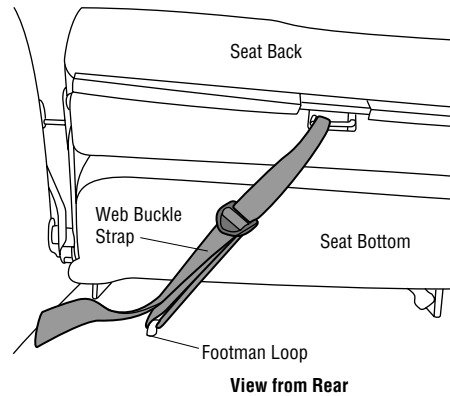
## Parts List

Duster	Qty - 1
Web Buckle Strap	Qty - 1

### Step One

#### SECURE REAR SEAT

Locate the Web Buckle Strap in the parts kit. Thread the web end of the strap through the footman loop closest to the rear of the seat on the Driver's side. Fold the back of the seat down and thread the web through the bar on the seat back. Thread the end of the strap through the buckle and pull it tight. Tightening the strap securely will keep the seat from banging when the vehicle is moving.



## Caution

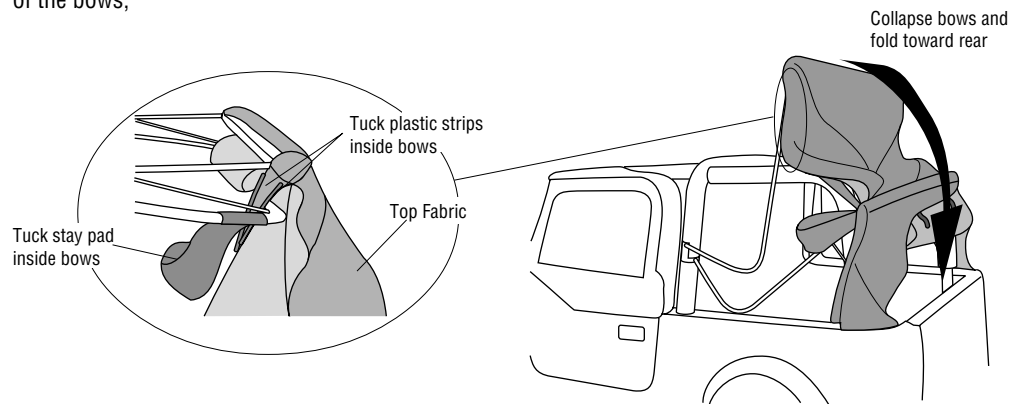
Safety glasses should be worn at all times while installing this product.

*Note: This product is designed for a "Custom Fit". Be patient during the installation, it fits tight!*

### Step Two

#### FOLD DOWN TOP

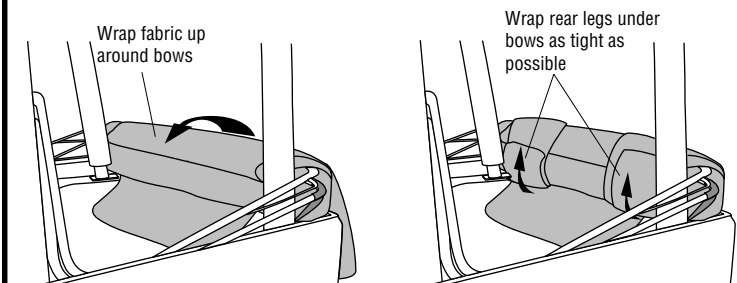
Remove the Rear Quarter Windows and Rear Window from the top. Remove the Tailgate Retainer from the Rear Window. Cover the "glass" in the Rear Quarter Windows and the Rear Window and store them while not in use. Release the front of the top from the windshield. Raise the front of the deck and collapse the rear bows, tucking the two plastic strips above the door openings and the stay pad on the rear bow inside of the bows,



### Step Three

#### WRAP FABRIC AROUND BOWS

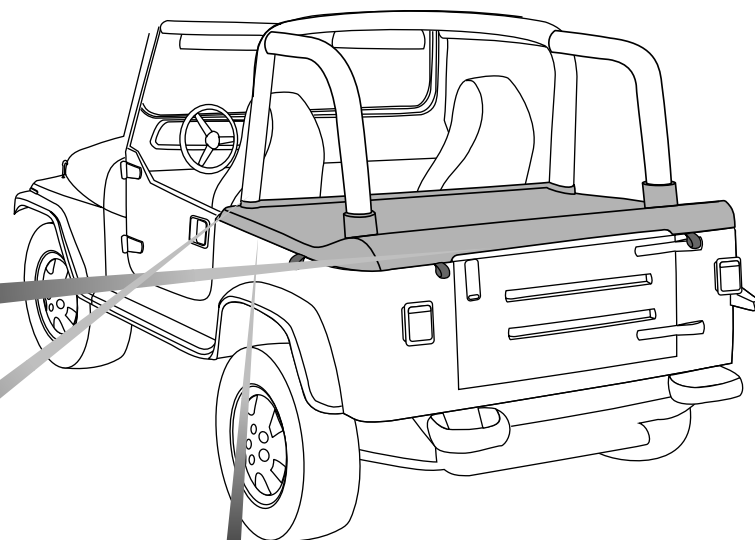
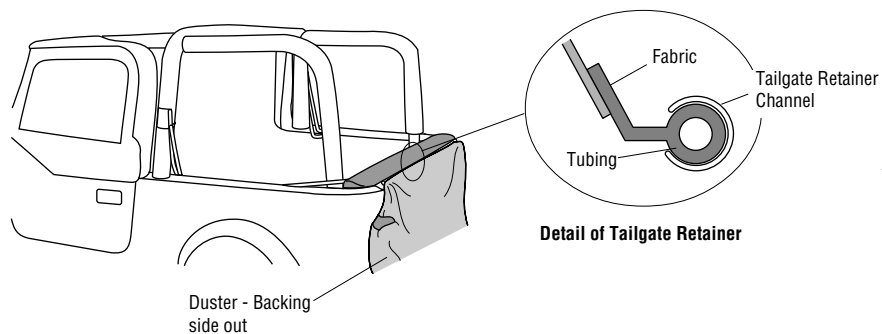
Lay the bows down along the rear of the vehicle. Wrap the fold of fabric from the rear of the vehicle up around the bows. Then tuck the rear legs of top under the bows and wrap them around the deck fabric as tight as possible. Tuck the fabric and bows down into the tub as far as possible.



## Step Four

### INSTALL TAILGATE BAR

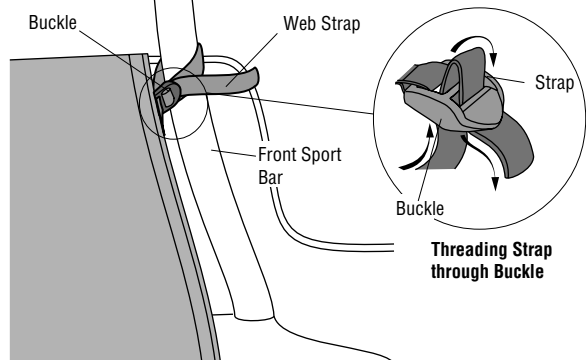
Fold down the rear seat. From the back of the vehicle, hold the Duster with the backing side toward you. Slide the tubing into the channel in the Tailgate Retainer and install the retainer into the Tailgate Retainer Mount.



## Step Five

### SECURE WEB STRAPS

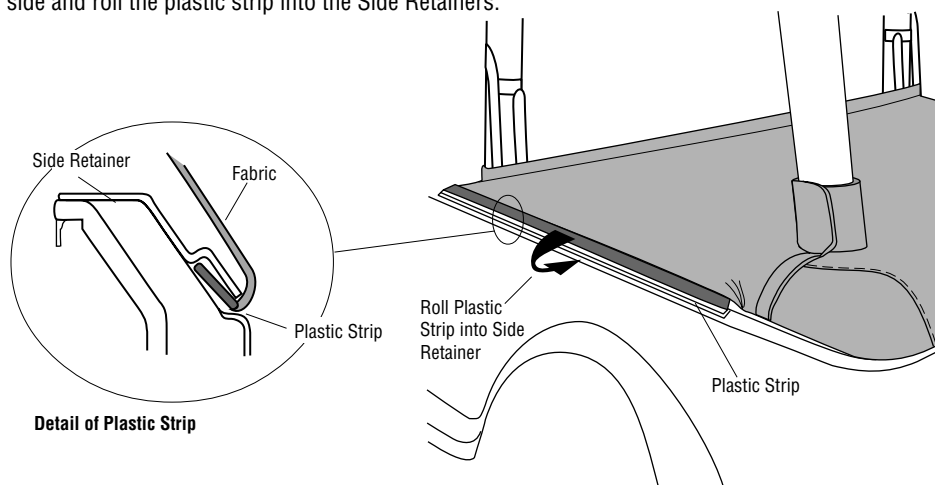
Drape the fabric forward over the rear of the vehicle and locate the web straps, with buckles attached, on the front of the Duster. Wrap the straps around the front sport bars and thread the ends loosely through the buckles. Do not pull the straps tight at this time.



## Step Six

### SECURE PLASTIC STRIPS

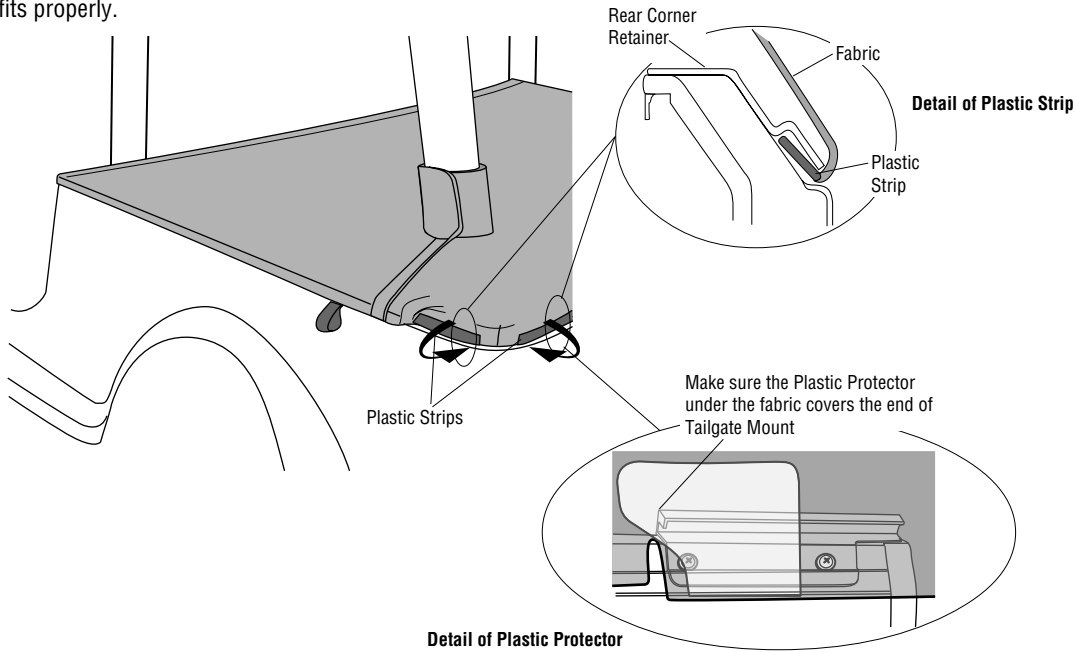
Locate the plastic strip sewn to the Duster along each side of the vehicle. Start at one end on each side and roll the plastic strip into the Side Retainers.



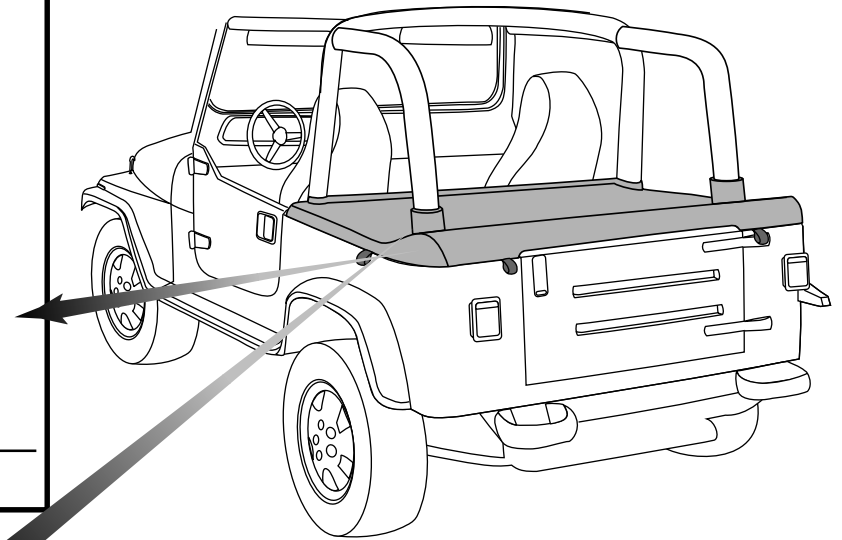
## Step Seven

### SECURE REAR CORNERS

Roll the plastic strips, sewn into the rear corners of the Duster into the Corner Retainers. Slide the corner plastic strip toward the front of the vehicle and make sure that the plastic strip fits up into the retainer so that the collar fits properly.



*Note: The Plastic Protector sewn into the fabric must be located over the Tailgate Retainer Mounts.*

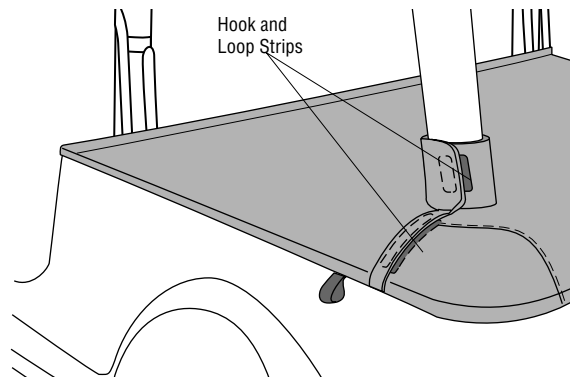


## Step Eight

### SECURE COLLARS

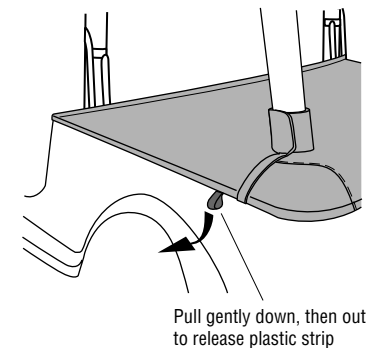
Tuck the seat belt assemblies into the rear sport bar collars and close the rear sport bar collars by pulling firmly on the fabric and fastening the Hook and Loop Strips to each other.

Tighten the straps on the front of the Duster.

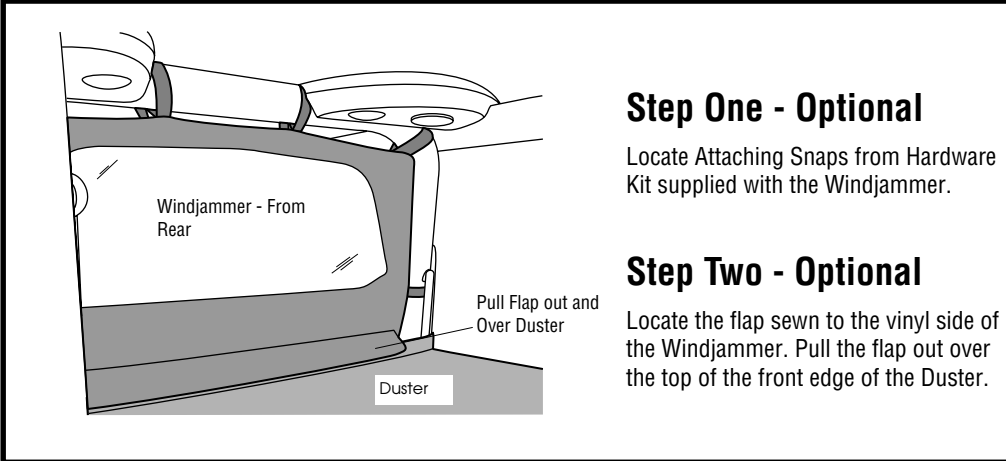


## To Remove Duster

When removing the Duster, use the loops sewn to the fabric to release the plastic strips. Pull gently down, then straight out to release the plastic strip from the retainers.



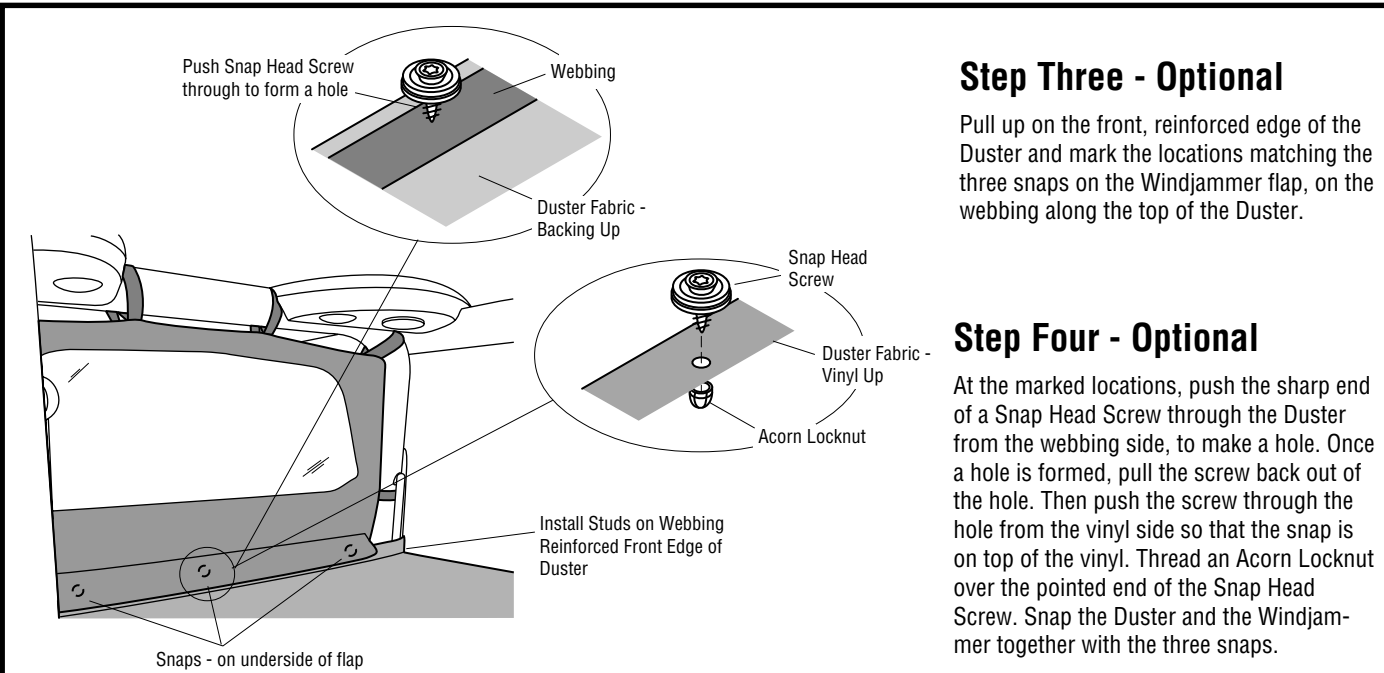
## If You Have a New Windjammer on Your Vehicle Optional Installation



**Step One - Optional**  
Locate Attaching Snaps from Hardware Kit supplied with the Windjammer.

**Step Two - Optional**  
Locate the flap sewn to the vinyl side of the Windjammer. Pull the flap out over the top of the front edge of the Duster.

Labels in diagram: Windjammer - From Rear, Pull Flap out and Over Duster, Duster.



**Step Three - Optional**  
Pull up on the front, reinforced edge of the Duster and mark the locations matching the three snaps on the Windjammer flap, on the webbing along the top of the Duster.

**Step Four - Optional**  
At the marked locations, push the sharp end of a Snap Head Screw through the Duster from the webbing side, to make a hole. Once a hole is formed, pull the screw back out of the hole. Then push the screw through the hole from the vinyl side so that the snap is on top of the vinyl. Thread an Acorn Locknut over the pointed end of the Snap Head Screw. Snap the Duster and the Windjammer together with the three snaps.

Labels in diagram: Push Snap Head Screw through to form a hole, Webbing, Duster Fabric - Backing Up, Snap Head Screw, Duster Fabric - Vinyl Up, Acorn Locknut, Install Studs on Webbing Reinforced Front Edge of Duster, Snaps - on underside of flap.

