



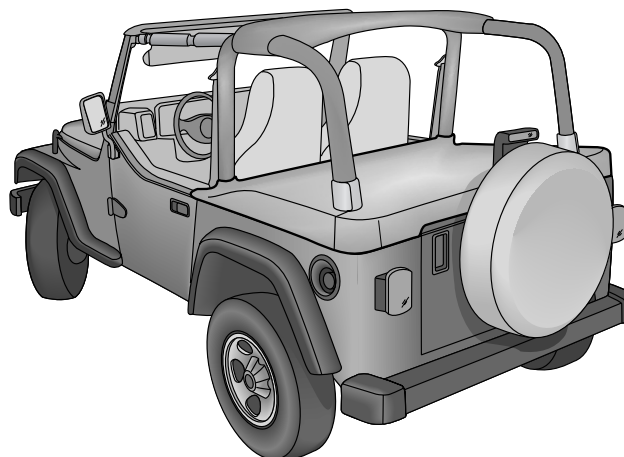
**BESTOP**

## Duster Installation Instructions

**For: 1997 - 2002 Wrangler**

**Part Number: 90011**

**DO NOT INSTALL THIS PRODUCT ON ANY VEHICLE OTHER THAN THOSE LISTED ABOVE.**



### **WARNING**

This product is designed to enhance the appearance of the vehicle and to shield the occupants from ordinary weather conditions. Do not rely in any way on the components of this product to contain occupants within the vehicle, or to protect against injury or death in the event of an accident. This product will not protect the occupants from falling objects. Never operate vehicle in excess of manufacturer's specifications.

#### **WEAR SEAT BELTS AT ALL TIMES**

Read and follow, precisely, all installation instructions provided when installing this product. Failure to do so may result in a poor fit and could place occupants of the vehicle in a potentially dangerous situation. Failure to properly install or reinstall this product may cause the product or a component part to come off the vehicle, potentially causing an accident and possible injury to the occupants of the vehicle. After installing or reinstalling the product, check to make sure it has been properly installed.

### **Installation Tips**

Before you begin installing this product, read all instructions thoroughly. After completing the installation, keep these instructions for further reference. Below are a few tips to make this installation easier.

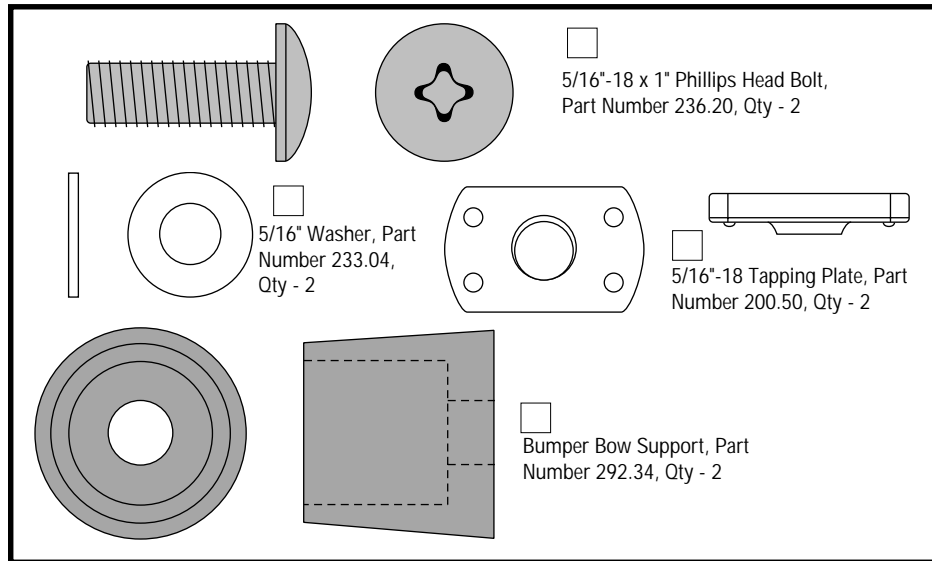
#### **For a smooth fit:**

For ease in installation, the Duster should be installed at temperatures above 72° F. Below this temperature, the fabric may contract an inch or more, making it difficult to fit to the vehicle.

It is normal for the fabric to contract and wrinkle when stored in the shipping carton. Within a few days after the installation, the fabric will relax and the wrinkles will disappear.

## Parts List and Hardware Identification

Duster Qty - 1



### Tools Needed

Adjustable Wrench  
Phillips Screwdriver  
Safety Glasses



### Caution

Safety glasses should be worn at all times while installing this product.

### Step One

#### REMOVE TOP

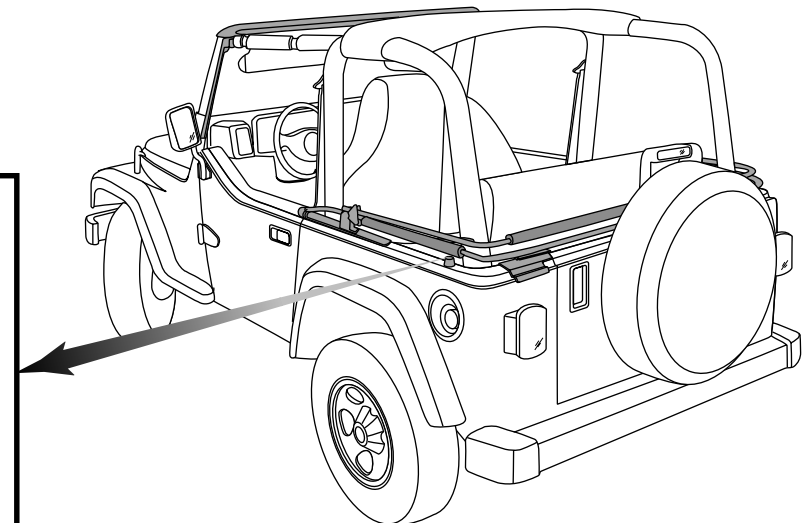
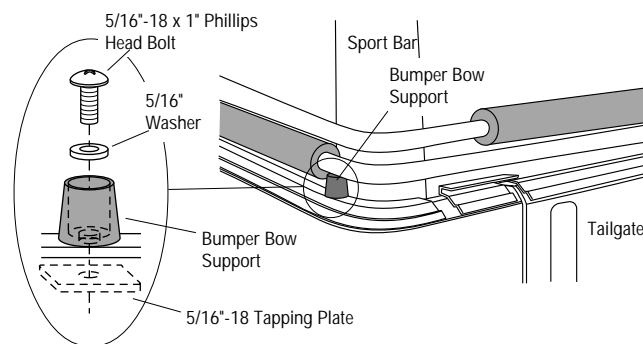
Remove your soft top from the hardware. Fold the top carefully and store it. Store the window assemblies to avoid scratching the glass.

## Duster Installation

### Step Two

#### INSTALL BUMPER BOW SUPPORT

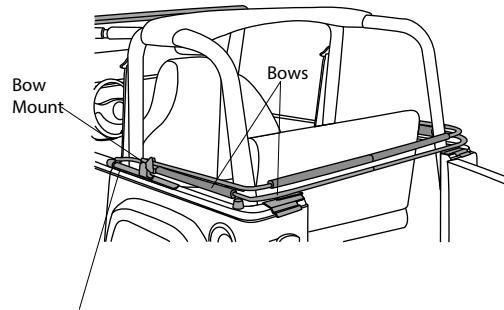
Locate the holes in the belt rail of the vehicle, just in front of the rear corners. Place a 5/16-18 Tapping Plate under the ledge on the inside of the vehicle and a Bumper Bow Support above the hole. Install a 5/16"-18 x 1" Phillips Head Bolt and a 5/16" Washer through the bumper and into the Tapping Plate. Do this on each side of the vehicle.



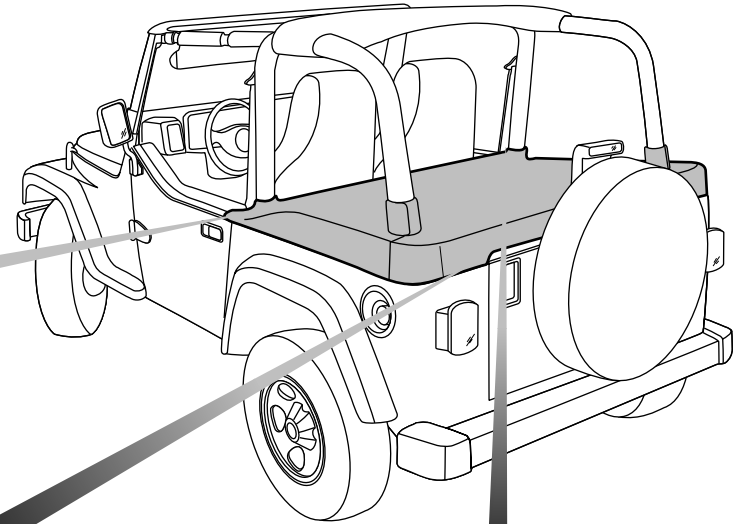
### Step Three

#### LOWER BOWS

Lower the bows and slide them as far forward as possible. The ends of the bottom bow should slide inside the Bow Mounts. This is necessary for the Duster to fit properly.



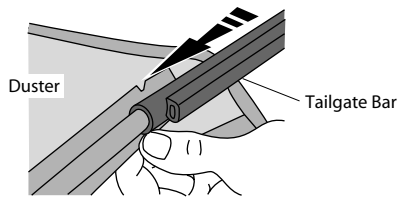
Slide Bow Ends as far forward as possible



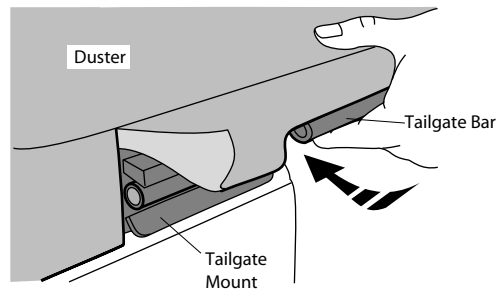
### Step Four

#### INSTALL DUSTER ON TAILGATE BAR

Fold down the rear seat. Orient the Duster on the vehicle. Slide the rear edge of the Duster into the channel on the Tailgate Bar, open the tailgate and push the Tailgate Bar into the Tailgate Mounts on the vehicle.



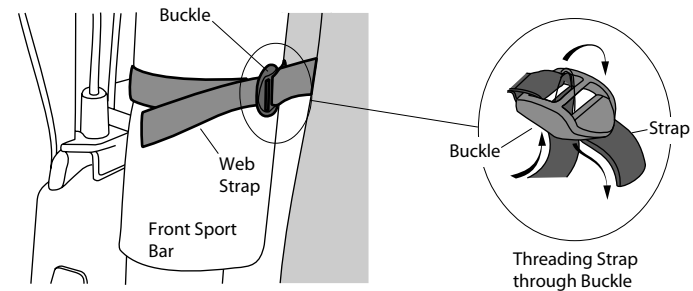
Slide Tailgate Bar onto rear of Duster



### Step Five

#### FASTEN BUCKLE STRAPS

Drape the fabric forward over the rear of the vehicle and locate the web straps with buckles sewn to the front of the Duster. Wrap the straps around the front sport bars and thread the ends loosely through the buckles. Do not pull the straps tight at this time. Tighten the buckle straps on the front of the duster.

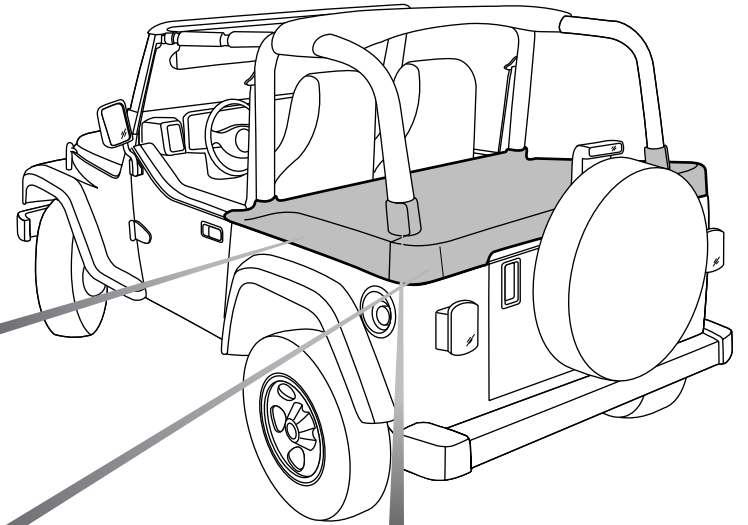
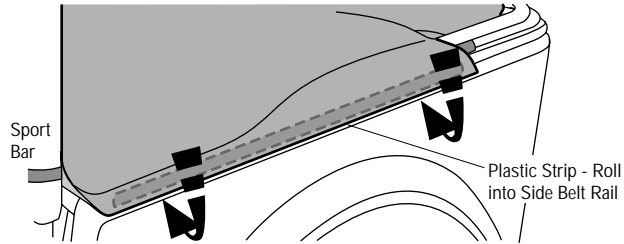


Note: Do not wrap the straps around the seat belt

## Step Six

### INSTALL PLASTIC STRIP INTO SIDE BELT RAILS

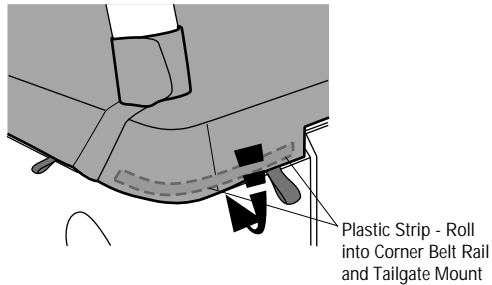
Make sure that the front edge of the Duster covers the front of the Side Belt Rails. Locate the plastic strip sewn into the sides of the Duster. Start at the rear on each side and roll the plastic strip into the Side Belt Rails.



## Step Seven

### INSTALL PLASTIC STRIP INTO CORNER BELT RAILS

Roll the plastic strips sewn into the rear corners of the Duster into the Corner Belt Rails and into the retainer on the Tailgate Mounts. Slide the corner plastic strip toward the front of the vehicle and make sure that the plastic strip fits up into the Belt Rail so that the collar fits properly around the sport bar.



**Note:** The Plastic Protectors sewn into the fabric must be properly located to minimize abrasion between the Duster and the Soft Top Hardware.

## Step Eight

### FASTEN SPORT BAR COLLARS

Tuck the seat belt assemblies into the Sport Bar Collars and close the collars by wrapping the fabric around the sport bars and fastening the Hook and Loop strips to each other.

Tighten the buckle straps on the front of the Duster.

