








Installation Instructions EZ Roll Tonneau

Vehicle Application:

- Dodge Ram
Silverado/Sierra 5.8' bed
2007-2010
Part Number: 17212

INSTALLATION TIME	SKILL LEVEL
 1/2 Hour	 1 - Easy

TOOLS		
 Wrench 1/2"	 Scissors	 Safety Glasses

NOTE Wash vehicle to ensure that no dirt or abrasive materials are caught between the truck's finish and the Tonneau Rail Frame.

Check and secure all clamps to bed frame as indicated in the installation instructions before operating your vehicle.

Tonneau cover clamps must be securely attached prior to vehicle operation.

Secure retaining straps when cover is in open position.

CAUTION Safety glasses should be worn at all times while installing this product.

Installation Tips

Before you begin installing this assembly, read all instructions thoroughly.

For a smooth fit:

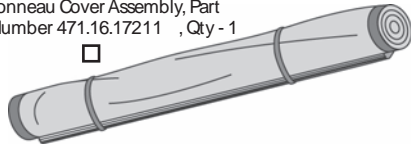
For ease in installation, the product should be installed at temperatures above 72° F. Below this temperature, the fabric may contract an inch or more, making it difficult to fit to the vehicle. It is normal for fabric to contract and wrinkle when stored in the shipping carton. Within a few days after the installation, the fabric will relax and the wrinkles will disappear.

WARNING The buckle of each retaining strap and both clamps must be fastened securely to avoid damage to personal property or possible personal injury.
If the vehicle has an Over-the-Rail Bedliner, use a certified installer to perform the initial installation. Modifications to the Bedliner may be required.

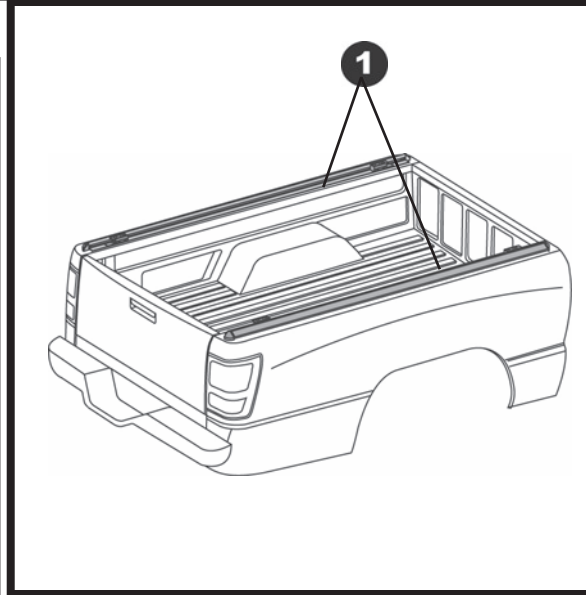
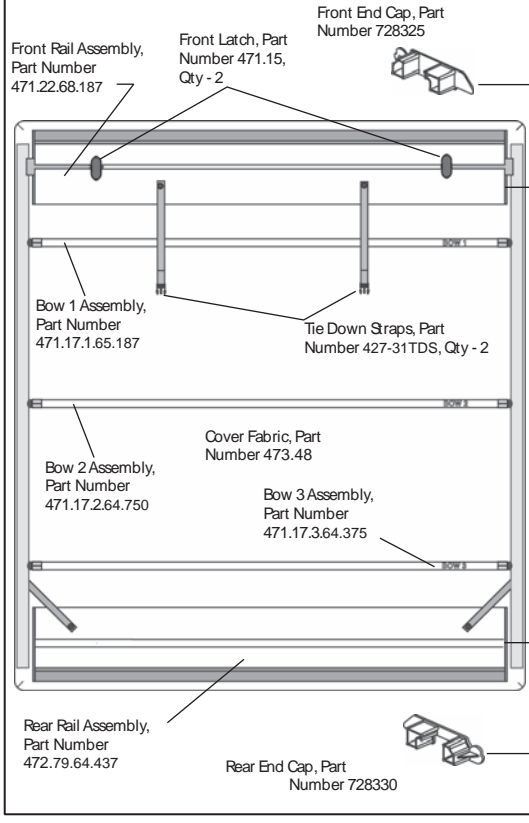
EZ Roll Tonneau Installation Instructions

Parts List

Tonneau Cover Assembly, Part Number 471.16.17211, Qty - 1



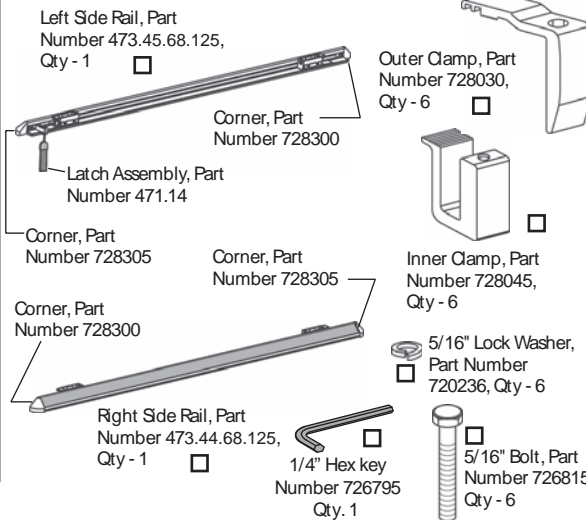
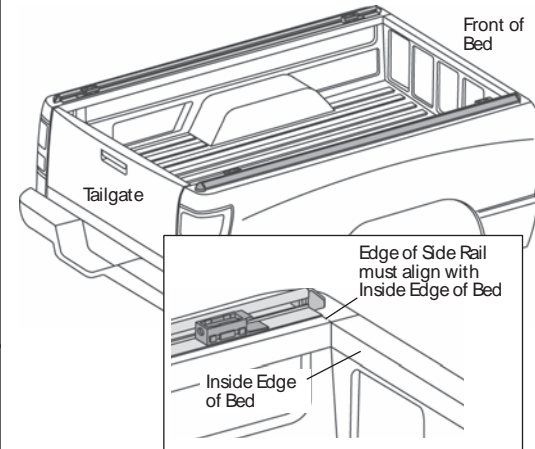
Tonneau Cover Assembly Contains



1 Place Side Rails on Bed

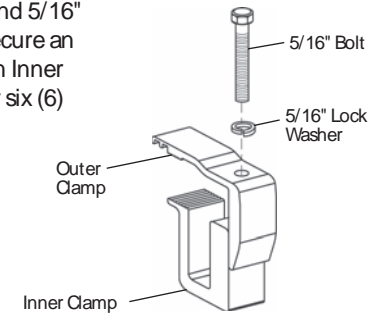
Locate the 2 side rails. Remove the protective tape on the bottom of each rail and place the rail on the bed on each side of the vehicle.

Once the rails are on the bed, align the front edge of each Side Rail, with the inside edge of the front bulkhead.



2 Assemble Clamps

Use a 5/16" Bolt and 5/16" Lock Washer to secure an Outer Clamp to an Inner Clamp. Repeat for six (6) assemblies.



EZ Roll Tonneau Installation Instructions

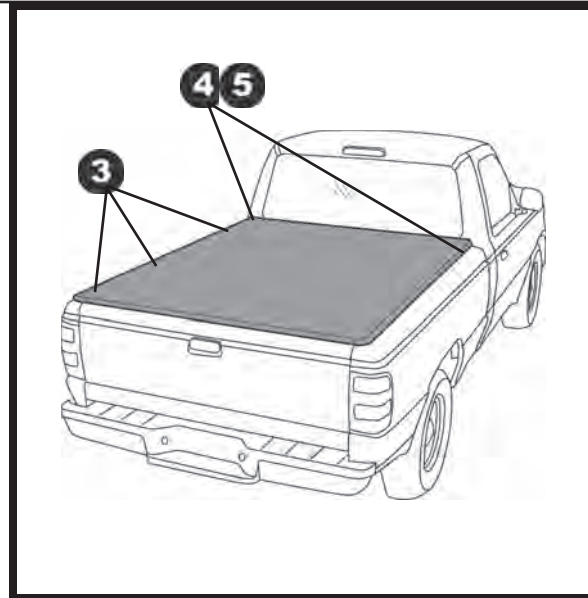
3 Place Clamps

Place the front clamp on the Side Rail 6" behind the front pivot mount. Place the rear clamp 6" in front of the rear pivot mount. Locate the center of the Side Rail and place the center clamp either 6" in front of this point or 6" behind it as needed for your vehicle.

Do Not Tighten the Clamps at this time.

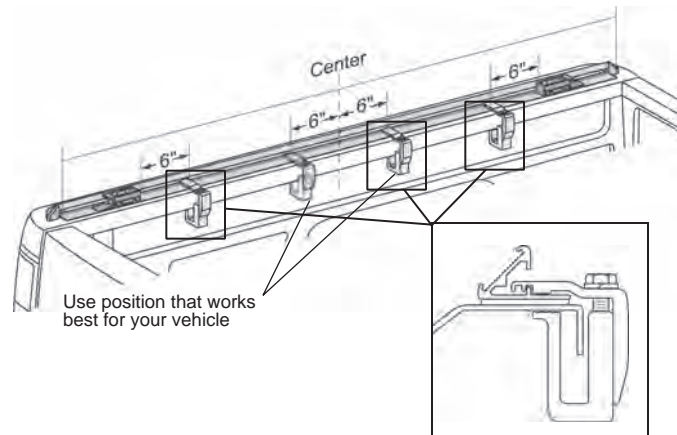
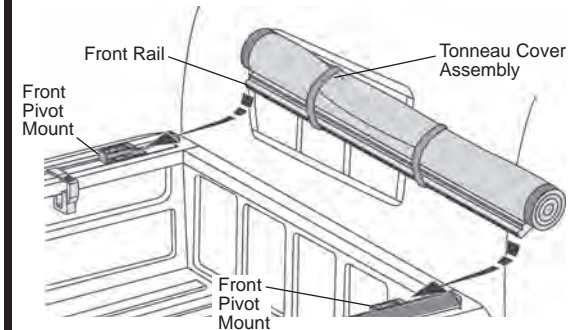
Repeat on both sides of the vehicle.

NOTE Clamp positions may vary depending on any bed accessories you may have.



4 Install Tonneau Cover Assembly

Standing in the bed if necessary, slide the ends of the Front Rail on the Tonneau Cover Assembly into the front Pivot Mounts on the Side Rails.

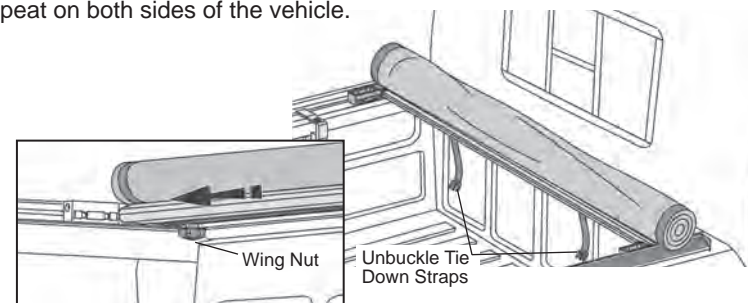


CAUTION

Both front latches must remain engaged and the wing bolts tight while the cover is on the vehicle.

5 Secure Tonneau Cover Assembly

Unbuckle the Tie Down Straps. Press down firmly on the end of the cover. Loosen the wing bolt and slide the latch into the Side Rail. Tighten the wing nut. Repeat on both sides of the vehicle.

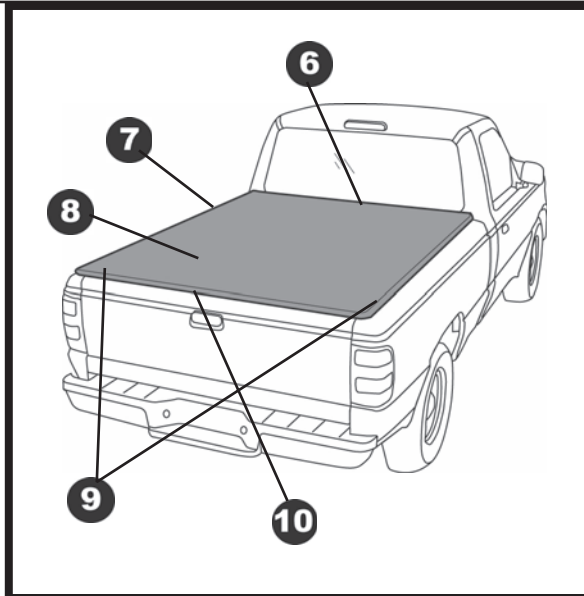
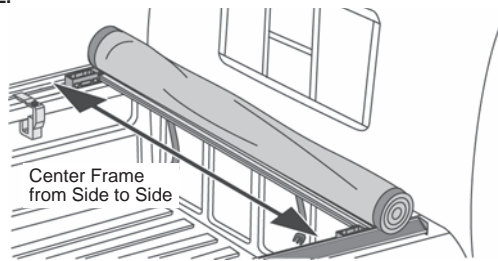


EZ Roll Tonneau Installation Instructions

6 Center Tonneau Frame

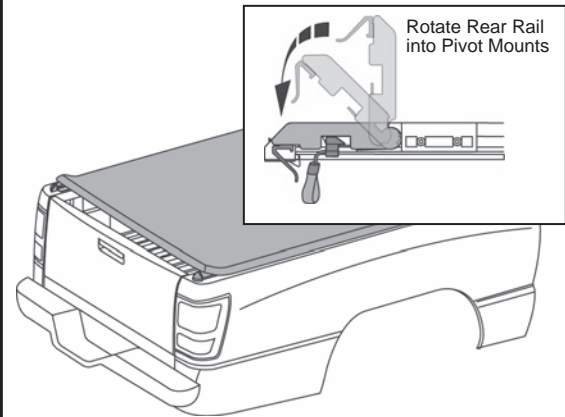
With the Tonneau Cover Assembly latched on both sides, push both Side Rails in so they are flush with the Front Rail. Center the front of the Frame from side to side on the vehicle.

NOTE: FOR PROPER FUNCTION, IT IS BEST TO LEAVE A 1/8" GAP BETWEEN SIDE RAIL AND FRONT RAIL.



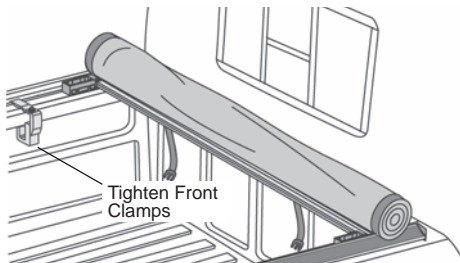
9 Secure Rear Rail To Rear Pivot Mounts

Rotate the Rear Rail into the rear Pivot Mounts on both sides. It will only latch on the driver's side.



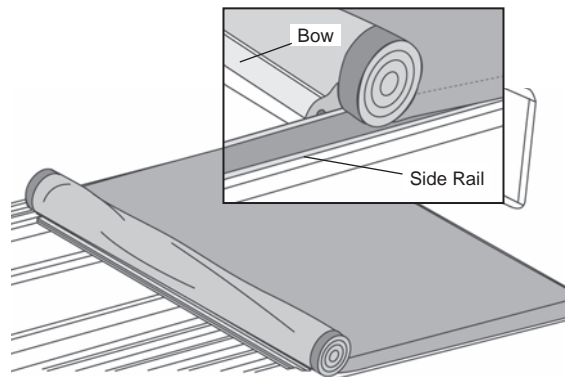
7 Tighten Front Clamps

Tighten the front Clamp on each side until the Lock Washer is compressed.



8 Roll Out Cover

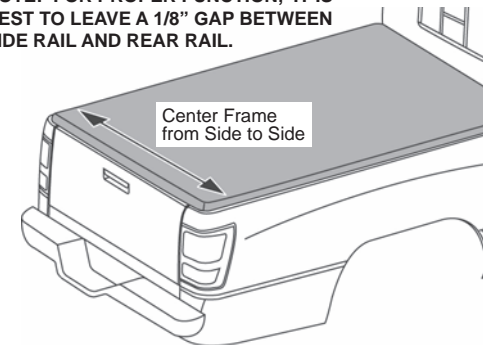
Roll out the cover. Make sure that each bow falls between the Side Rails.



10 Center Rear of Frame

Push the Side Rails flush against the Rear Rail and center the rear of the Frame from side to side on the vehicle.

NOTE: FOR PROPER FUNCTION, IT IS BEST TO LEAVE A 1/8" GAP BETWEEN SIDE RAIL AND REAR RAIL.



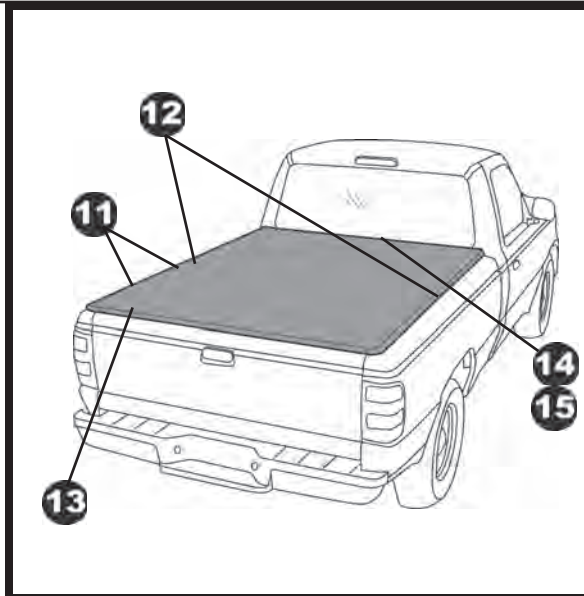
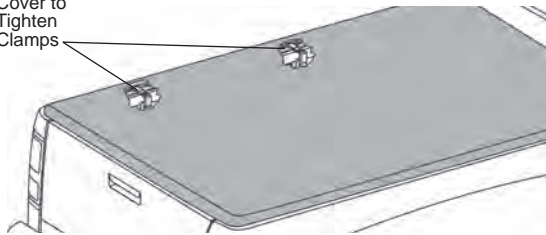
EZ Roll Tonneau Installation Instructions

11 Secure Remaining Clamps

Once the Frame is centered reach between the cover and the Side Rail to access the center and rear clamps. Tighten the 5/16" Bolt in the Clamp until the Lock Washer is compressed, then add 1 to 1-1/2 additional turns to reach optimum pressure. Repeat on both sides of the vehicle.

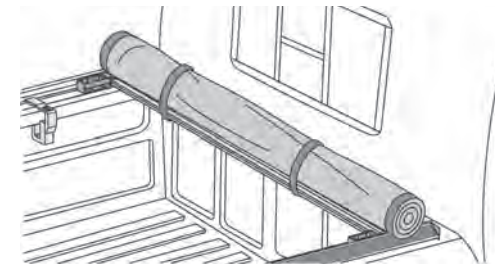
NOTE Do not remove the cover until all clamps are tight.

Reach under Cover to Tighten Clamps



14 To Remove Cover – Roll Cover

Tightly roll the Cover toward the front and buckle the Tie Down Straps.

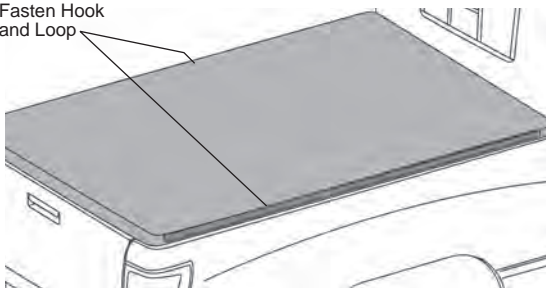


12 Secure Sides of Cover

Fasten the loop strip sewn to the driver's side of the Tonneau Cover to the hook on the Side Rail. Pull the fabric tight across and secure the passenger side.

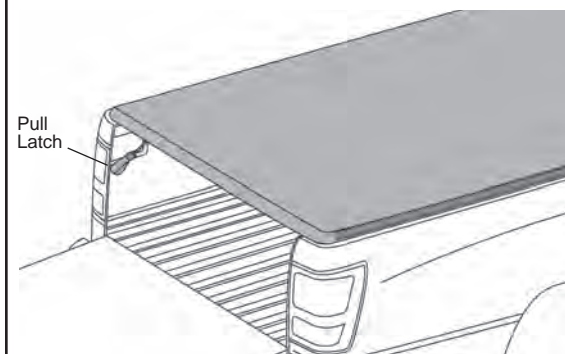
NOTE Make sure to keep the fabric tight across the bed to ensure a proper fit.

Fasten Hook and Loop



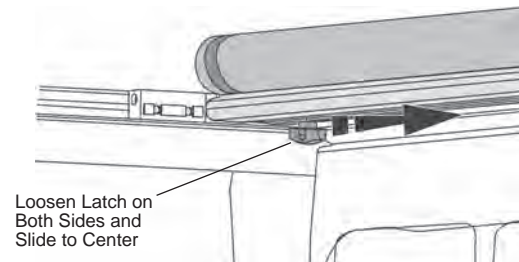
13 To Remove Cover – Release Latch

Open the tailgate and pull the latch to the rear to disengage the Rear Rail.



15 To Remove Cover – Release Front Rail

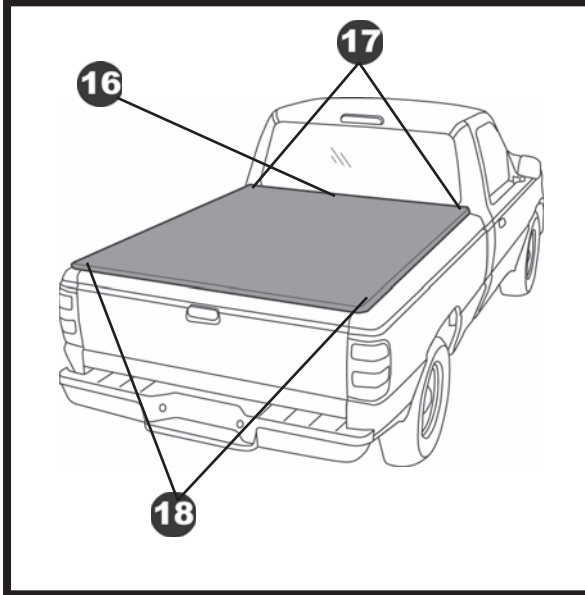
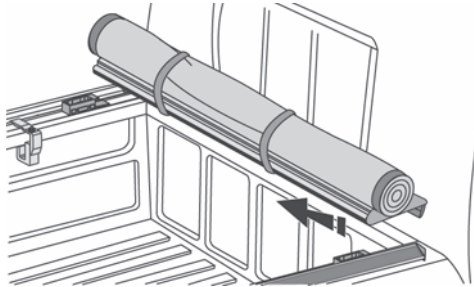
Make sure the Cover fabric is released from the hook on the Side Rails. Loosen the wing nuts on each side of the Front Rail. Slide the latches toward the center of the vehicle until they release from the Side Rails.



EZ Roll Tonneau Installation Instructions

16 Remove Cover

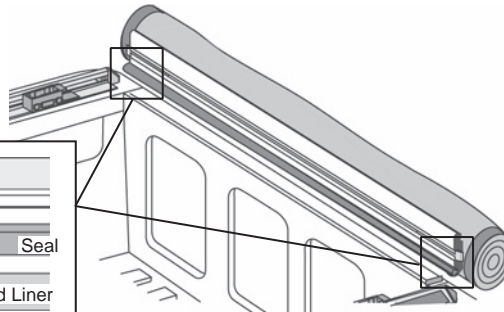
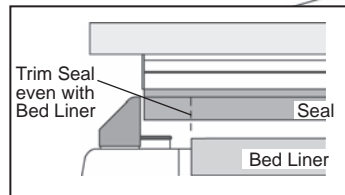
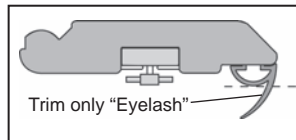
Once the latch is disengaged on the driver's side, pull the Front Rail out of the passenger Side Rail and lift the Cover out of the vehicle.



17 Special Instructions – Bed Liners

If your vehicle is equipped with a Bed Liner that comes up over the front bulkhead, you will need to trim the seal on the Tonneau Cover Assembly. Mark the seal at each end of the of the Bed Liner and use scissors to trim the bottom, “eyelash”, part of the seal at the mark.

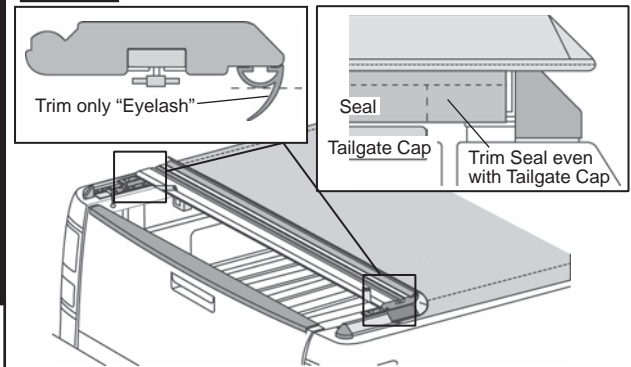
NOTE Only trim the bottom, “eyelash”, part of the seal.



18 SPECIAL INSTRUCTIONS - TAILGATE CAPS.

If your vehicle is equipped with a Tailgate Cap, you will need to trim the seal on the Tonneau Cover Assembly. Mark the seal at each end of the of the Tailgate Cap and use scissors to trim the bottom part of the seal at the mark.

NOTE Only trim the bottom part of the seal.



19 COVER TENSION ADJUSTMENT

To adjust the tension on the cover, use a 1/4” hex key. **NOTE:** Be sure to adjust both sides to same tension.

