



## Installation Instructions ZipRail Tonneau

### Installation Tips

Before you begin installing this product, please read all the instructions thoroughly.

#### For a smooth fit:

For easier installation, the top should be installed at a temperature above 70° F. Below this temperature, the fabric may contract an inch or more, making it difficult to fit the vehicle.

It is normal for the fabric to contract and wrinkle when stored in the shipping carton. Within a few days after installation, the fabric will relax and the wrinkles will disappear.

Wash truck to make sure no dirt or abrasive materials are between your truck's finish and the Tonneau Rail Frame.



### CAUTION

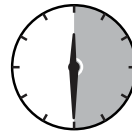
Safety glasses should be worn at all times when installing this product.

#### Tools



Safety  
Glasses

#### Installation Time



1/2 Hour

#### Skill Level



1 - Easy



### WARNING

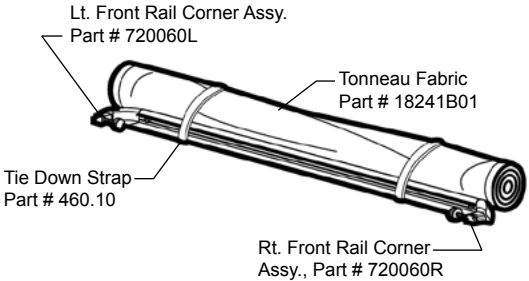
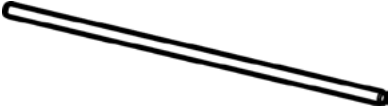
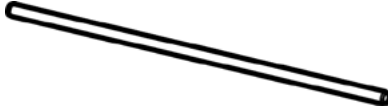
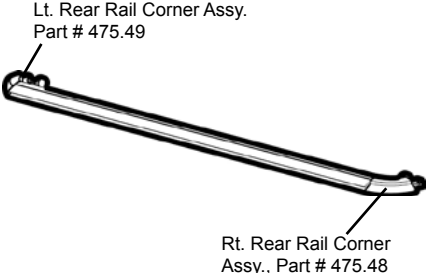
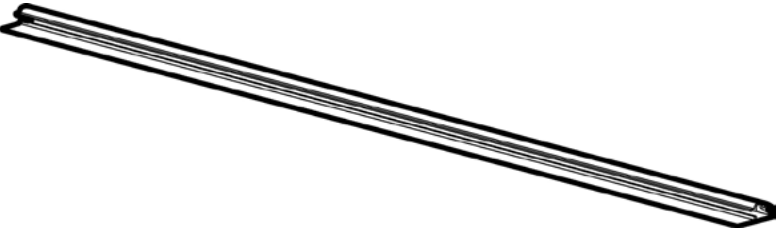


Tonneau cover must be secured at all points when vehicle is moving. A Tonneau cover that is unsecured will flap, resulting in damage to the vinyl fabric.

Do not overload bed of truck. Stress on Tonneau could result in damage.



## Parts List

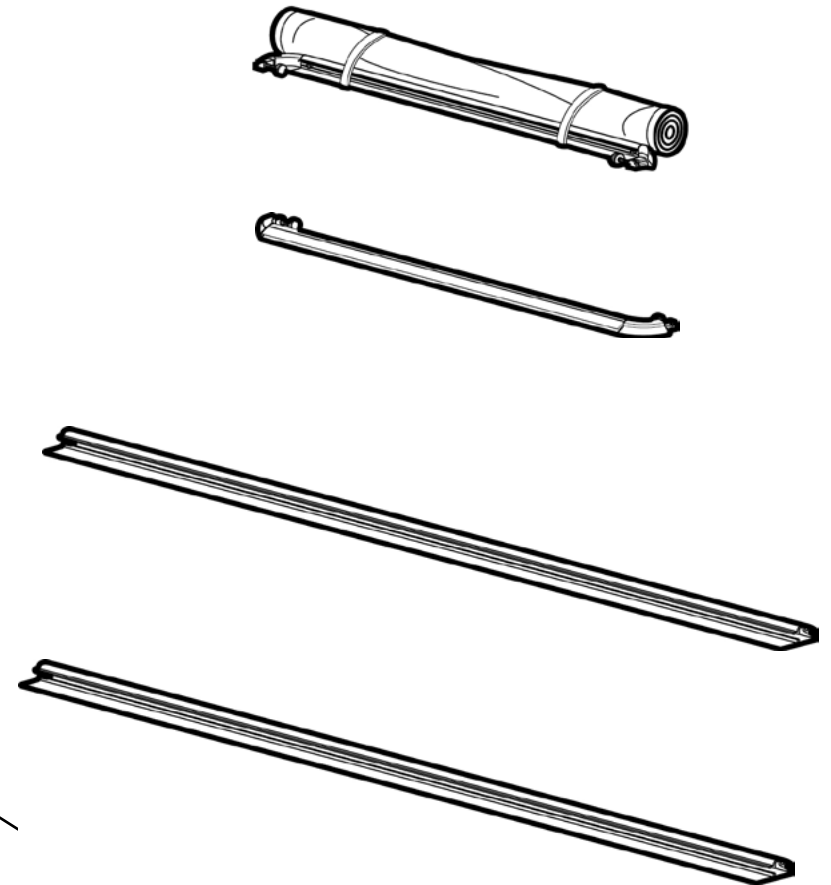
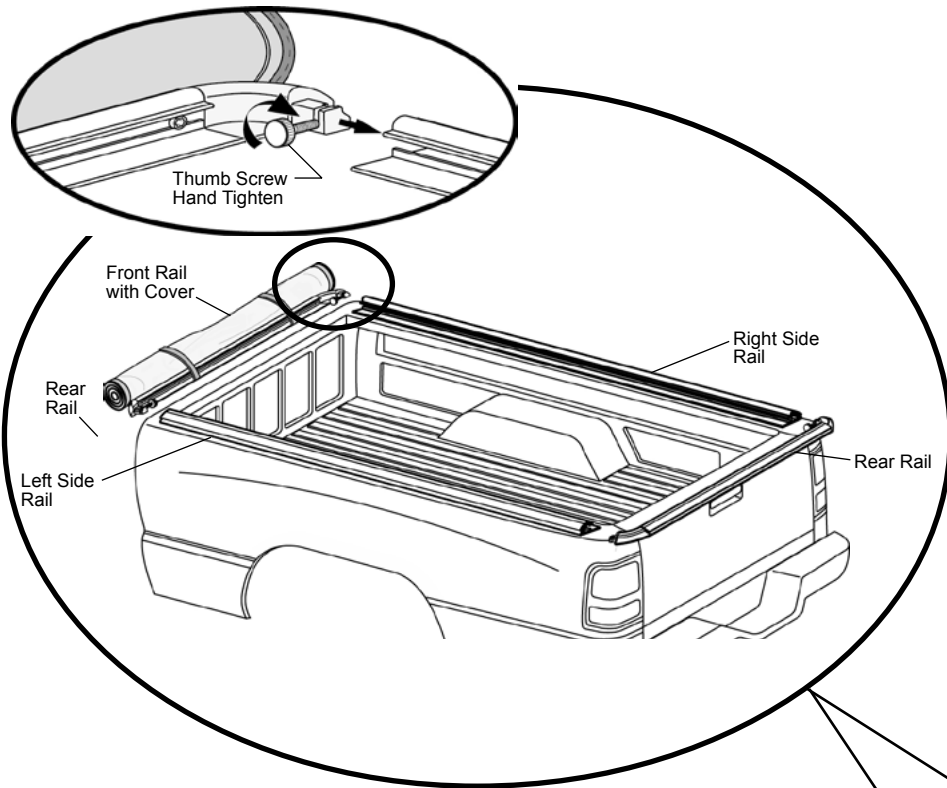
- Required parts for each installation section - Page number in Installation Guide

Sections 1 & 2 Rails and Clamps	Pages 3 to 4 of Guide		
 <p>Lt. Front Rail Corner Assy. Part # 720060L</p> <p>Tonneau Fabric Part # 18241B01</p> <p>Tie Down Strap Part # 460.10</p> <p>Rt. Front Rail Corner Assy., Part # 720060R</p> <p>Cover and Front Rail Assembly Qty - 1 Part # 509.35.18241</p>	 <p>Front Bow Qty - 1 Part # 509.37.65.7 Attached to Cover</p>	 <p>Rear Bow Qty - 1 Part # 509.37.64.8 Attached to Cover</p>	 <p>Lt. Rear Rail Corner Assy. Part # 475.49</p> <p>Rt. Rear Rail Corner Assy., Part # 475.48</p> <p>Rear Rail Assembly Qty - 1 Part # 470.25.63.6</p>
 <p>Side Rail Assembly Qty - 2 Part # 509.38.65.5</p>	 <p>Clamps, Part Number 720020, Qty - 2</p>	 <p>Clamps, Part Number 720025, Qty - 2</p>	

# Section 1 Install Rail Assemblies

Step 1 509.35.18241 470.25.63.6 509.38.65.5

## Hardware

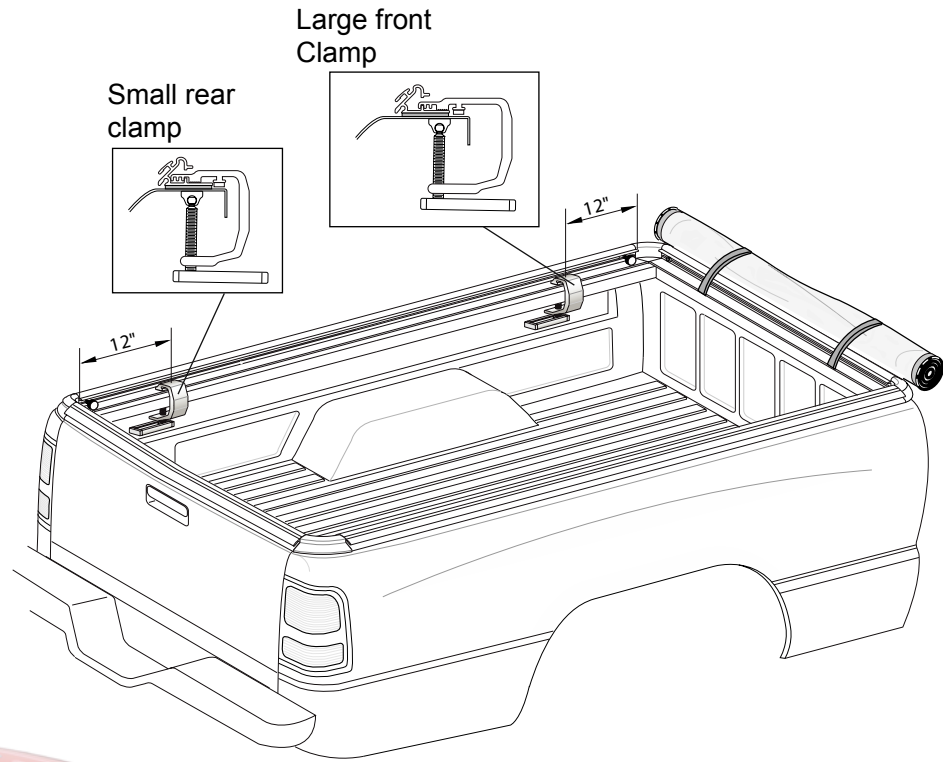
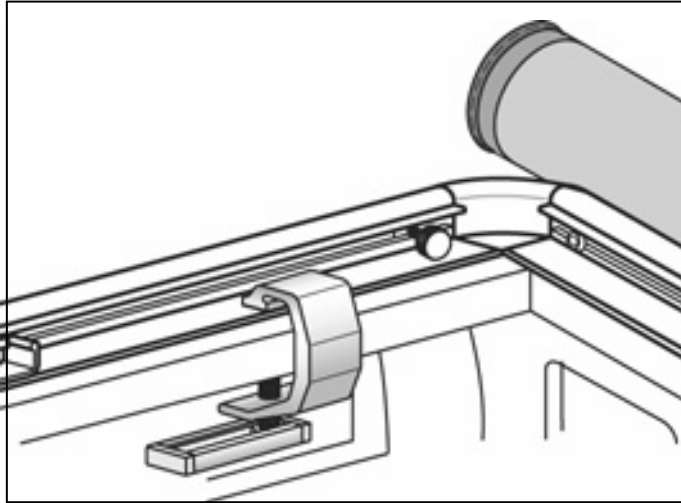


## Section 2 Install Clamps

Step	700025	720020		
------	--------	--------	--	--

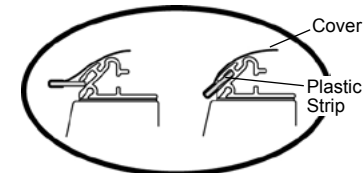
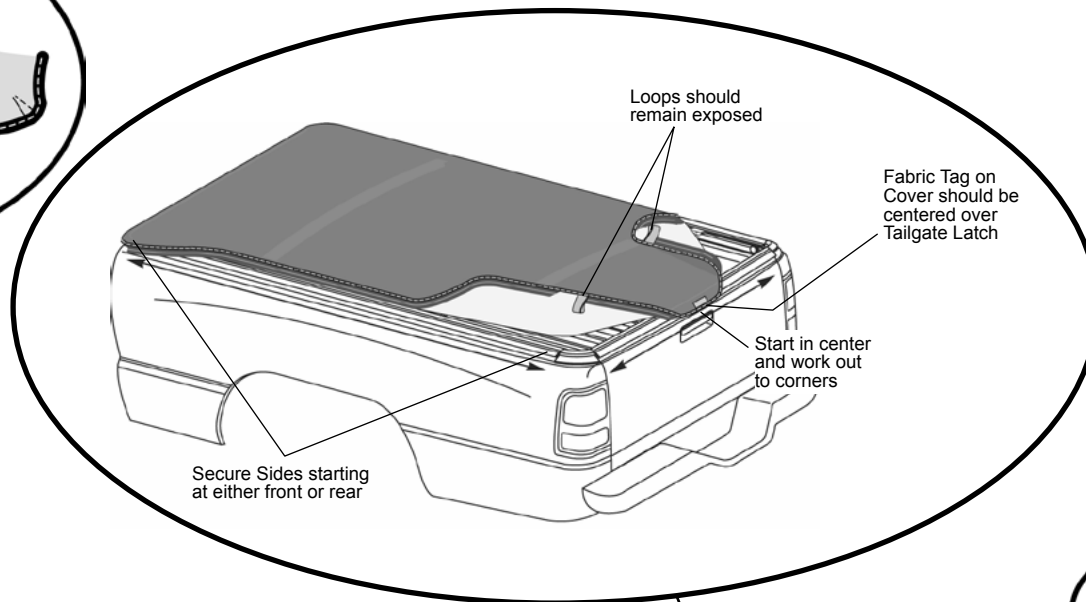
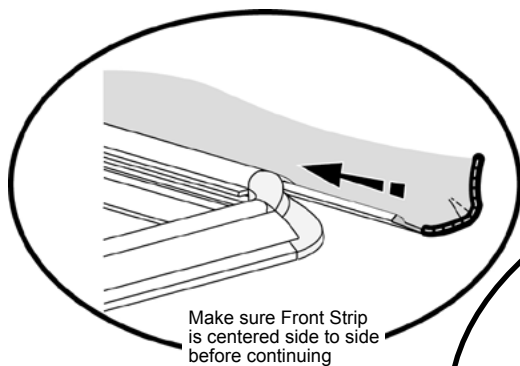
Hardware

Step 2



# Section 3 Secure Fabric

## Step 1



**Section 4** Removing Cover

**Step 1**

