







# Installation Instructions ZipRail Tonneau

No Drilling in Truck Bed Required

## Vehicle Application:

- Nissan Frontier Crew Cab Short Bed with or without Utilitrack System  
2005 – 2008  
Part Number: 15146

INSTALLATION TIME	SKILL LEVEL
 1/2 Hour	 1 - Easy

TOOLS	
 Safety Glasses	 Wrench 1/2"

## Installation Tips

Before you begin installing this assembly, read all instructions thoroughly.

### For a smooth fit:

For ease in installation, the product should be installed at temperatures above 70° F. Below this temperature, the fabric may contract an inch or more, making it difficult to fit to the vehicle. It is normal for fabric to contract and wrinkle when stored in the shipping carton. Within a few days after the installation, the fabric will relax and the wrinkles will disappear.

Wash truck to make sure no dirt or abrasive materials are between your truck's finish and the Tonneau Rail Frame.



## CAUTION

Safety glasses should be worn at all times while installing this product.

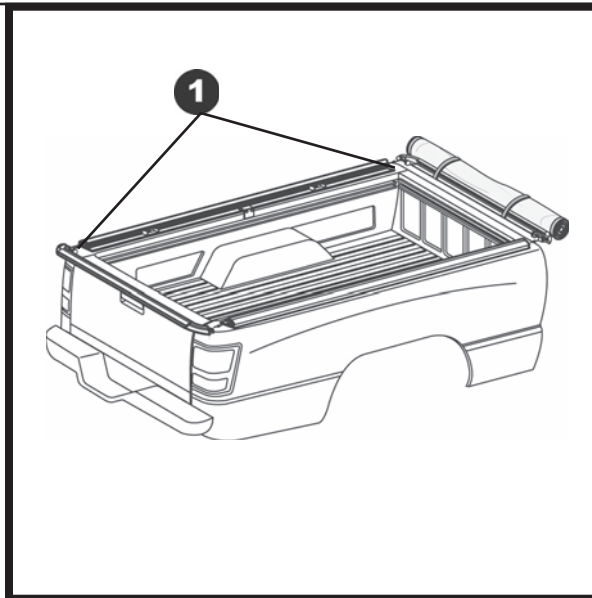
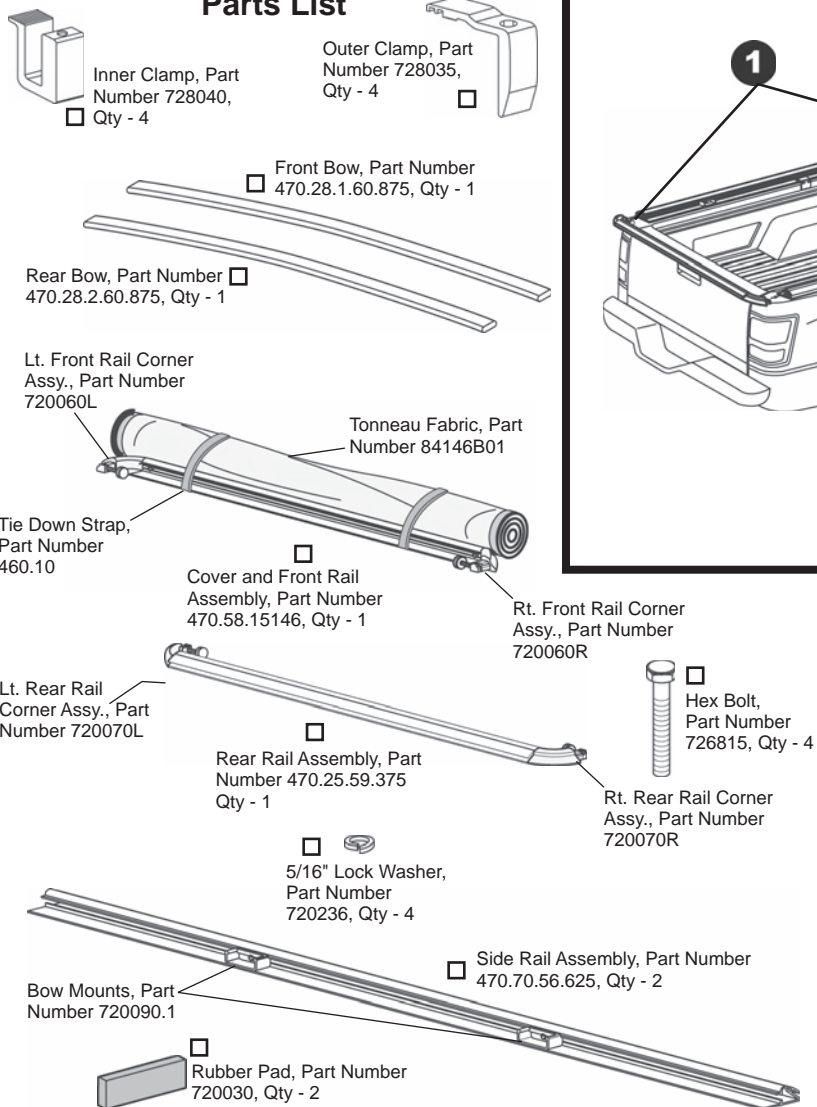
## WARNING

Tonneau cover must be secured at all points when vehicle is moving. A tonneau cover that is unsecured will flap, resulting in damage to the vinyl fabric.

Do not overload bed of truck. Stress on tonneau could result in damage.

# ZipRail Tonneau Installation Instructions

## Parts List



## 1 Install Rail Assemblies

Locate the Left and Right Side Rails. Remove paper backing and set them onto the top of the truck box.

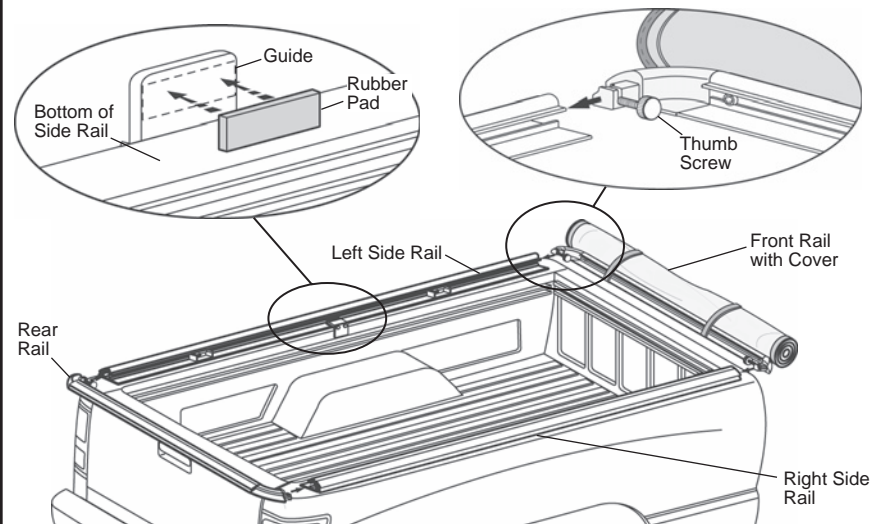
If bed is not equipped with bed rail caps, turn the Side Rails over, remove paper backing on Rubber Pads and place on inside of guides as shown.

Remove paper backing and set the Front Rail (with cover attached) onto truck. Make sure long ends of Tie Down Straps are to the inside of the truck box. Fasten corners by inserting into Side Rail ends and tightening the thumb screws.

Follow the same procedure to install the Rear Rail.

**NOTE** If bed has Bed Rail Caps, the Rubber Pad is not needed.

**NOTE** If you choose to assemble the frame on a level surface other than the vehicle, use two (2) people to position it on the truck bed to avoid extreme pressure on the corners.

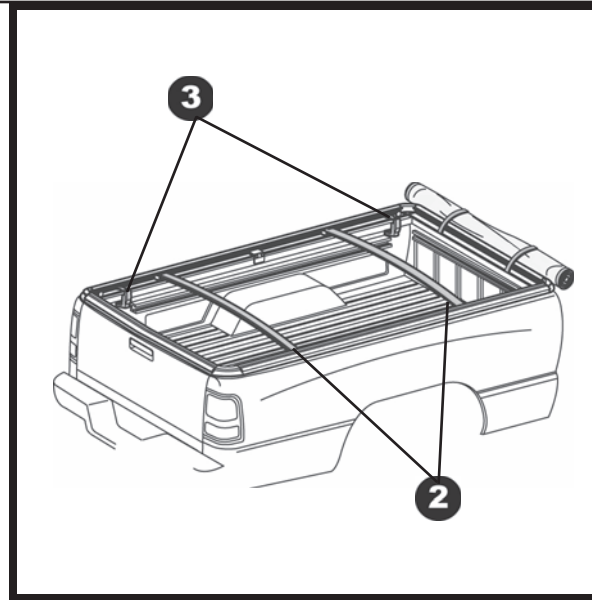
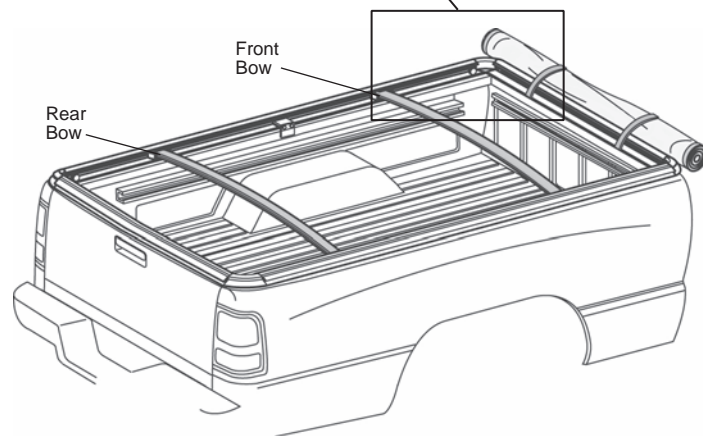
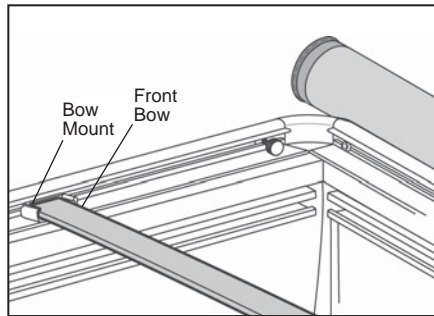


## ZipRail Tonneau Installation Instructions

### 2 Install Bows

Locate the two Bows. Place one end of the Front Bow into one of the front bow mounts then snap the other end into place. Repeat with the Rear Bow.

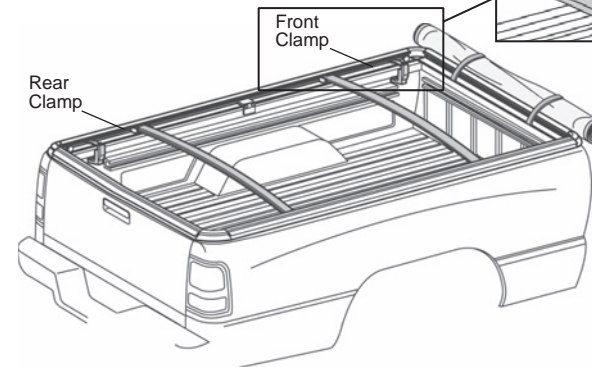
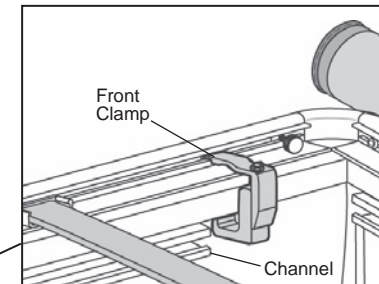
**NOTE** Only trucks with tapered cargo boxes will have Bows marked FRONT and REAR.



### 3 Install Clamps

Secure Side Rails to the truck box by placing a Clamp in front of channel and one at the rear of channel. Turn the bolts on Clamps with a 1/2" wrench, until lock washers are compressed, then give 1-1/2 to 2 turns on the bolt to reach optimum clamping pressure. DO NOT OVER TIGHTEN. Repeat on the other side of the vehicle.

**NOTE** If the truck box does not have a Utili-Trac system, place Clamps in the same position.



# ZipRail Tonneau Installation Instructions

## 4 Secure the Fabric

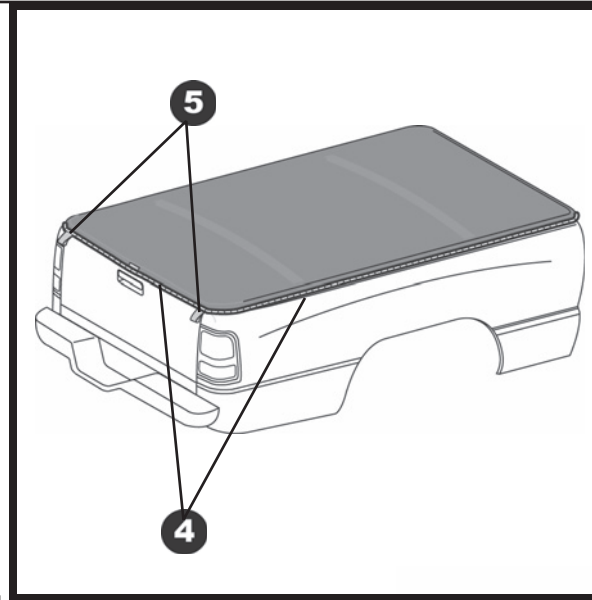
Make sure the inside edge of the Front Rail is aligned with the inside edge of the bed and that the Rail Assembly is centered from side to side on the vehicle.

Check that the front strip on the Tonneau Fabric is centered in the Front Rail. If not slide the strip in the rail until it is centered.

The plastic strips along the three sides of the vinyl cover fit into the grooves in the rail assembly.

Pull the cover over the bows to the rear of the truck. Center the fabric tag above the tailgate latch and begin inserting the rear plastic strip into the groove working from the center out to each rear corner. Use one hand to insert and the other to guide the plastic into the groove.

Start at either the front or rear corner to insert the side plastic strip into the groove. Work to the opposite corner. Repeat on both sides.



## 5 Removing Cover

To remove cover: Use the loops at the Right or Left rear corner and ease the plastic strip out of the rail by pulling DOWN and OUT. Then peel the plastic strip out of the remainder of the rear rail. Pull DOWN and OUT on the vinyl fabric to remove the plastic strips from the sides of the rail assembly.

Roll cover toward cab of truck. Use Hook & Loop straps attached to front of rail to secure cover.

To fasten cover, repeat installation step 4.

