





Installation Instructions



ZipRail Tonneau

No Drilling in Truck Bed Required

Vehicle Application:

- Ford Ranger Splash / Ranger Flareside
Short Bed
1993 – 2009
Part Number: 15125

INSTALLATION TIME	SKILL LEVEL
 1/2 Hour	 1 - Easy

TOOLS	
 Safety Glasses	 Wrench 1/2"

Installation Tips

Before you begin installing this assembly, read all instructions thoroughly.

For a smooth fit:

For ease in installation, the product should be installed at temperatures above 70° F. Below this temperature, the fabric may contract an inch or more, making it difficult to fit to the vehicle. It is normal for fabric to contract and wrinkle when stored in the shipping carton. Within a few days after the installation, the fabric will relax and the wrinkles will disappear.

Wash truck to make sure no dirt or abrasive materials are between your truck's finish and the Tonneau Rail Frame.



CAUTION

Safety glasses should be worn at all times while installing this product.

WARNING

Tonneau cover must be secured at all points when vehicle is moving. A tonneau cover that is unsecured will flap, resulting in damage to the vinyl fabric.

Do not overload bed of truck. Stress on tonneau could result in damage.

ZipRail Tonneau Installation Instructions

Parts List

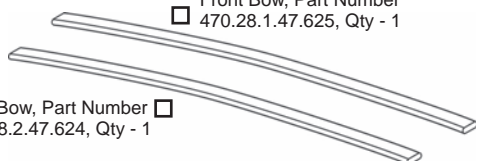


Inner Clamp, Part Number 728040, Qty - 6



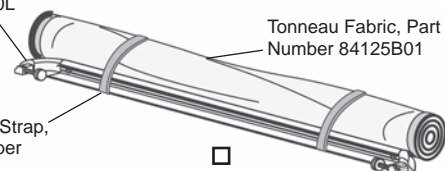
Outer Clamp, Part Number 728035, Qty - 6

Front Bow, Part Number 470.28.1.47.625, Qty - 1



Rear Bow, Part Number 470.28.2.47.624, Qty - 1

Lt. Front Rail Corner Assy., Part Number 720060L



Tonneau Fabric, Part Number 84125B01

Tie Down Strap, Part Number 460.10

Cover and Front Rail Assembly, Part Number 470.57.15125, Qty - 1

Rt. Front Rail Corner Assy., Part Number 720060R

Lt. Rear Rail Corner Assy., Part Number 720070L

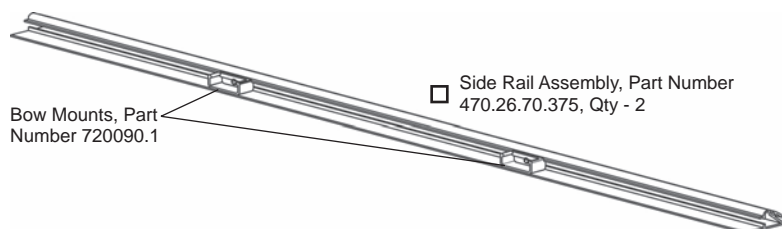
Rear Rail Assembly, Part Number 470.77.46.500 Qty - 1



Hex Bolt, Part Number 726815, Qty - 6

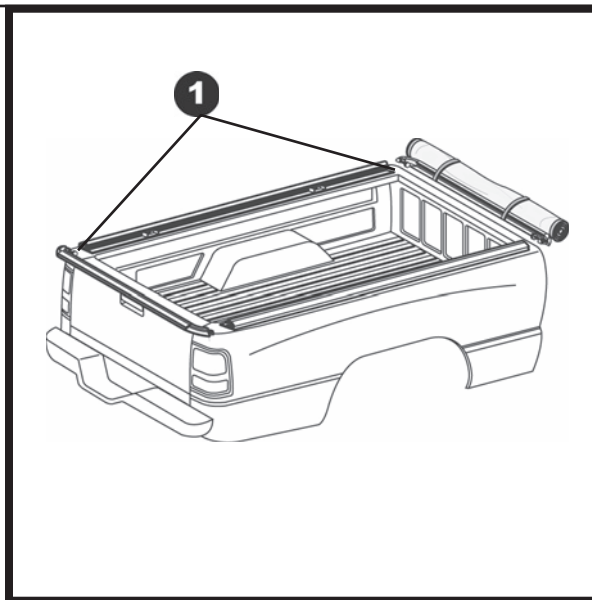
Rt. Rear Rail Corner Assy., Part Number 720070R

5/16" Lock Washer, Part Number 720236, Qty - 6



Side Rail Assembly, Part Number 470.26.70.375, Qty - 2

Bow Mounts, Part Number 720090.1



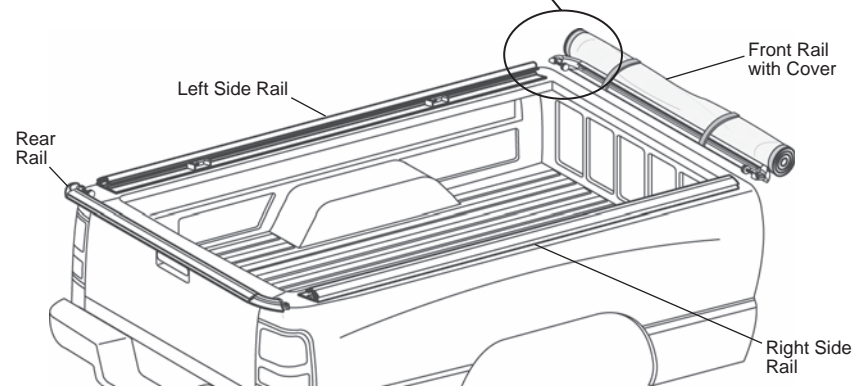
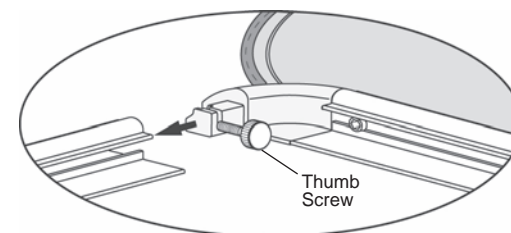
1 Install Rail Assemblies

Locate the Left and Right Side Rails. Remove paper backing and set the Side Rails onto the top of the truck box.

Remove paper backing and set the Front Rail (with cover attached) onto truck. Make sure long ends of Tie Down Straps are to the inside of the truck box. Fasten corners by inserting into Side Rail ends and tightening the thumb screws.

Follow the same procedure to install the Rear Rail.

NOTE If you choose to assemble the frame on a level surface other than the vehicle, use two (2) people to position it on the truck bed to avoid extreme pressure on the corners.

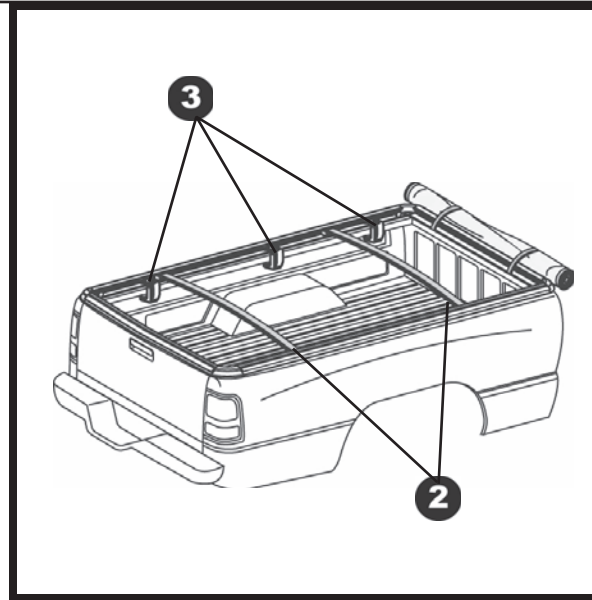
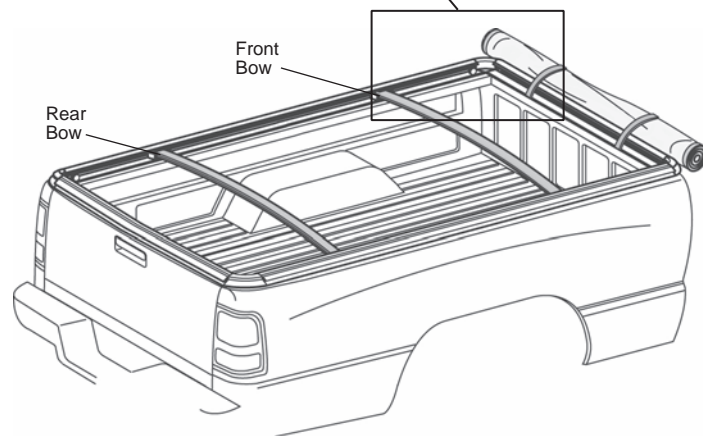
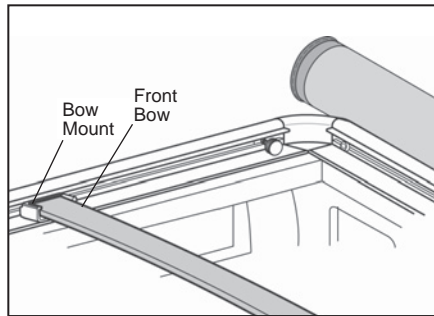


ZipRail Tonneau Installation Instructions

2 Install Bows

Locate the two Bows. Place one end of the Front Bow into one of the front bow mounts then snap the other end into place. Repeat with the Rear Bow.

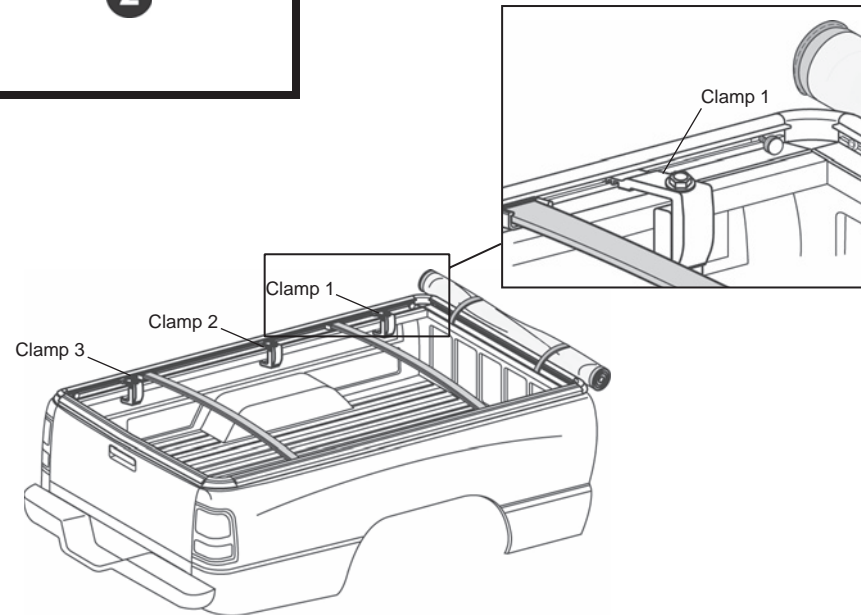
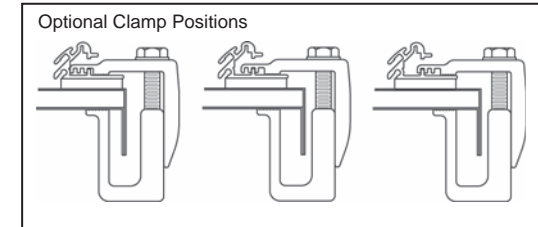
NOTE Only trucks with tapered cargo boxes will have Bows marked FRONT and REAR.



3 Install Clamps

Position three (3) Clamps on each side of the bed as shown. Use one of the optional positions for best fit. Use 1/2" wrench to tighten bolts.

NOTE If power tools are used, be careful not to over tighten clamps.



ZipRail Tonneau Installation Instructions

4 Secure the Fabric

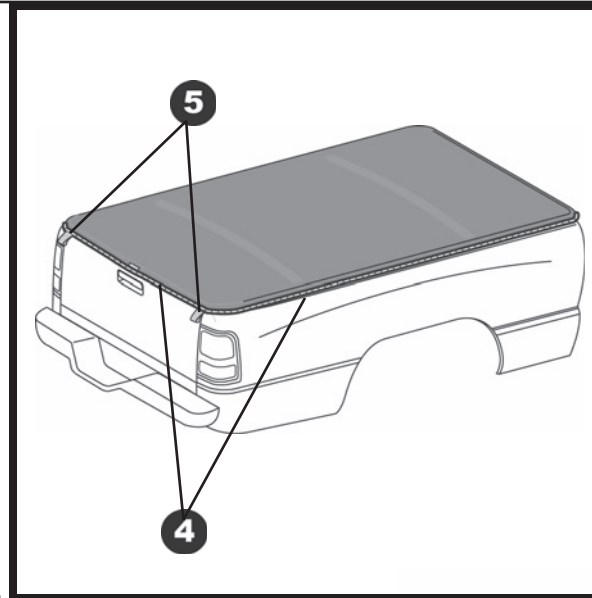
Make sure the inside edge of the Front Rail is aligned with the inside edge of the bed and that the Rail Assembly is centered from side to side on the vehicle.

Check that the front strip on the Tonneau Fabric is centered in the Front Rail. If not slide the strip in the rail until it is centered.

The plastic strips along the three sides of the vinyl cover fit into the grooves in the rail assembly.

Pull the cover over the bows to the rear of the truck. Center the fabric tag above the tailgate latch and begin inserting the rear plastic strip into the groove working from the center out to each rear corner.

Use one hand to insert and the other to guide the plastic into the groove. Start at either the front or rear corner to insert the side plastic strip into the groove. Work to the opposite corner. Repeat on both sides.



5 Removing Cover

To remove cover: Use the loops at the Right or Left rear corner and ease the plastic strip out of the rail by pulling DOWN and OUT. Then peel the plastic strip out of the remainder of the rear rail. Pull DOWN and OUT on the vinyl fabric to remove the plastic strips from the sides of the rail assembly.

Roll cover toward cab of truck. Use Hook & Loop straps attached to front of rail to secure cover.

To fasten cover, repeat installation step 4.

