





# Installation Instructions


## ZipRail Tonneau

No Drilling in Truck Bed Required

### Vehicle Application:

- Toyota T-100 Short Bed  
1995 – 1998  
Part Number: 15105

INSTALLATION TIME	SKILL LEVEL
 1/2 Hour	 1 - Easy

TOOLS
 Safety Glasses

### Installation Tips

Before you begin installing this assembly, read all instructions thoroughly.

#### For a smooth fit:

For ease in installation, the product should be installed at temperatures above 70° F. Below this temperature, the fabric may contract an inch or more, making it difficult to fit to the vehicle. It is normal for fabric to contract and wrinkle when stored in the shipping carton. Within a few days after the installation, the fabric will relax and the wrinkles will disappear.

Wash truck to make sure no dirt or abrasive materials are between your truck's finish and the Tonneau Rail Frame.



### CAUTION

Safety glasses should be worn at all times while installing this product.

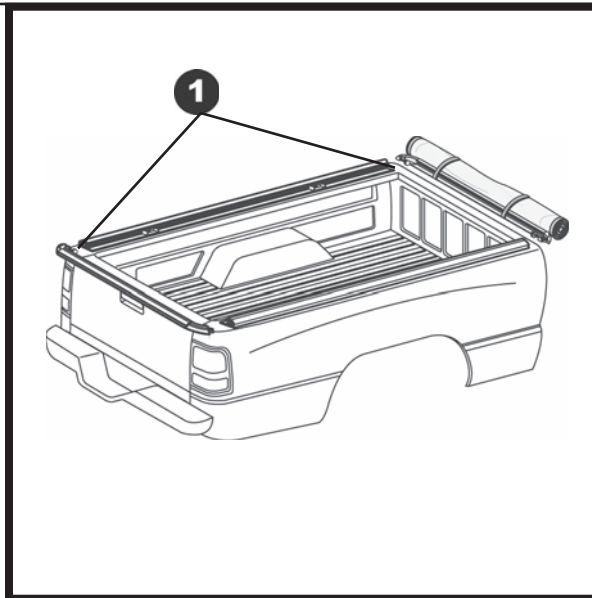
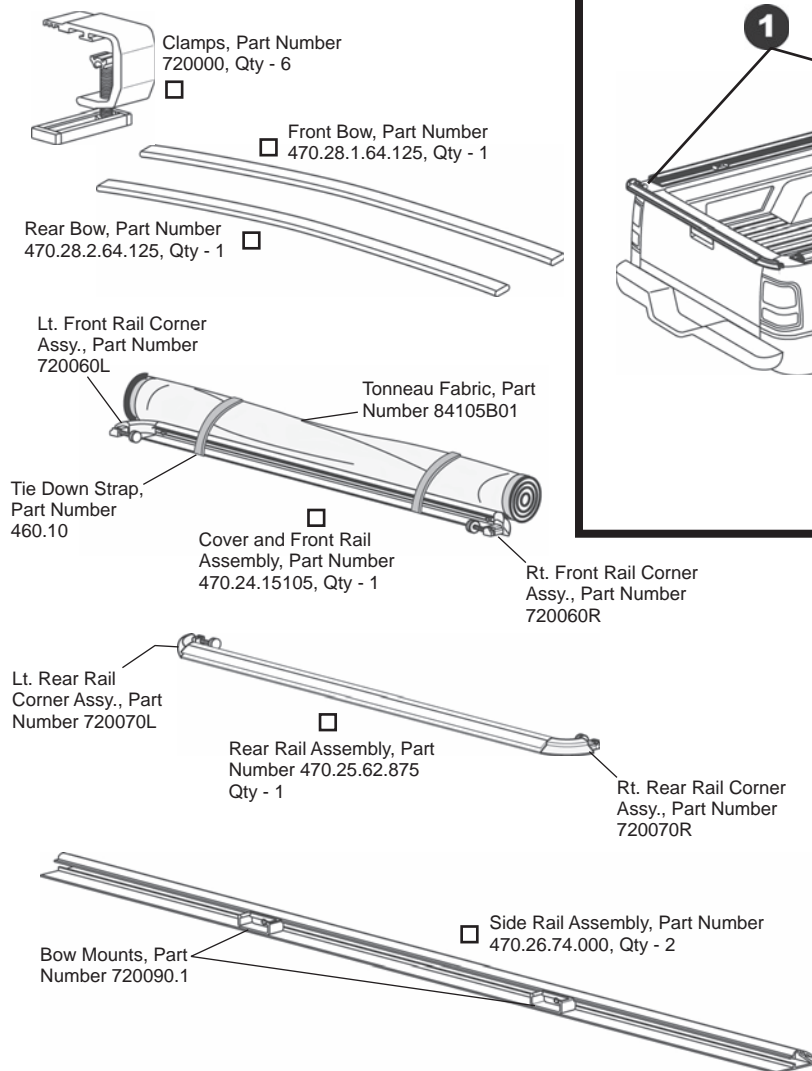
### WARNING

Tonneau cover must be secured at all points when vehicle is moving. A tonneau cover that is unsecured will flap, resulting in damage to the vinyl fabric.

Do not overload bed of truck. Stress on tonneau could result in damage.

# ZipRail Tonneau Installation Instructions

## Parts List



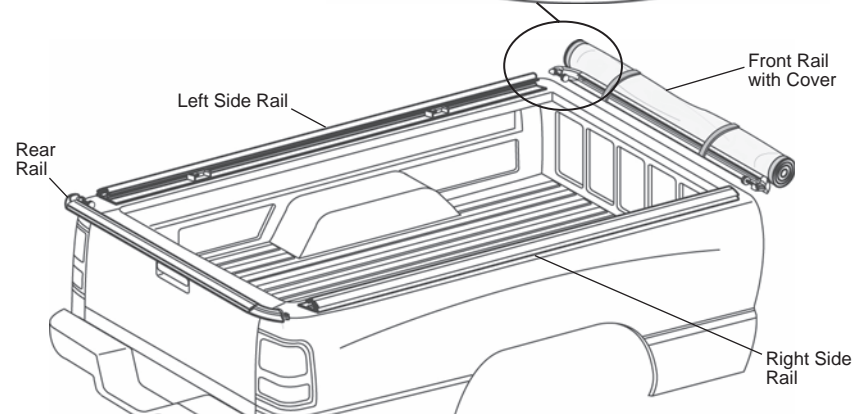
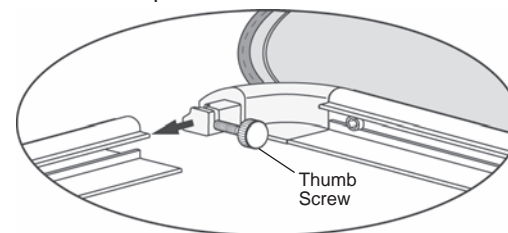
## 1 Install Rail Assemblies

Locate the Left and Right Side Rails. Remove paper backing and set the Side Rails onto the top of the truck box.

Remove paper backing and set the Front Rail (with cover attached) onto truck. Make sure long ends of Tie Down Straps are to the inside of the truck box. Fasten corners by inserting into Side Rail ends and tightening the thumb screws.

Follow the same procedure to install the Rear Rail.

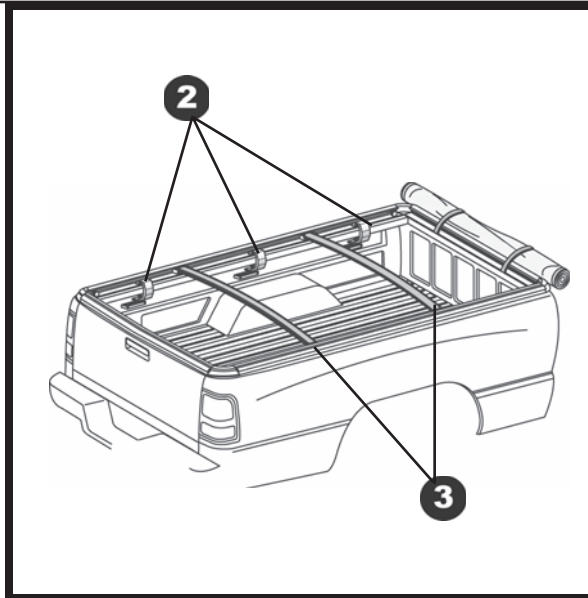
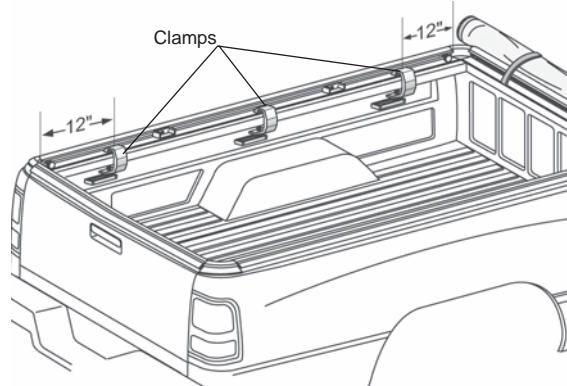
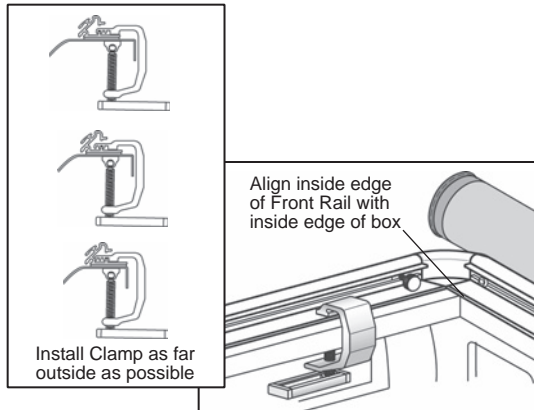
**NOTE** If you choose to assemble the frame on a level surface other than the vehicle, use two (2) people to position it on the truck bed to avoid extreme pressure on the corners.



# ZipRail Tonneau Installation Instructions

## 2 Install Clamps

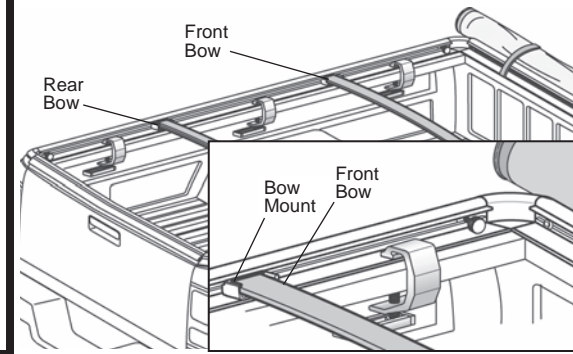
Align the inside edge of the Front Rail with the inside edge of the truck bed and center the assembly from side to side. Mount the clamps to the Side Rails as far to the outboard as possible. Install a clamp approximately 12" from each front corner and tighten with the slide handle. Do the same at the rear of the frame. Place the remaining clamps in between the previously placed clamps.



## 3 Install Bows

Locate the two Bows. Place one end of the Front Bow into one of the front bow mounts then snap the other end into place. Repeat with the Rear Bow.

**NOTE** Only trucks with tapered cargo boxes will have Bows marked FRONT and REAR.



### If you have a Bedliner

These are only suggestions. There are many different types of bedliners on the market and no simple guidelines can be established. Bestop is not responsible for modifications made to bedliner resulting from Rail Tonneau installation.

#### Under The Rail Bedliner:

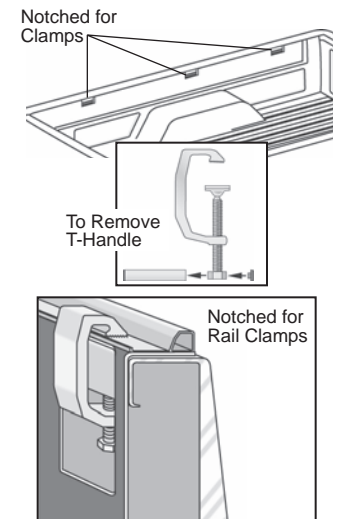
**Front:** If the front edge of the liner rises up above the truck bed and interferes with the weather stripping on the front rail, the liner must be trimmed.

Affix a "U-channel" aluminum extrusion (not included) to prevent weakening or warping of bedliner after trimming.

#### Over The Rail Bedliner:

Remove T-handles from the clamp by removing the plastic end cap on either side of the T-handle. Use clamps as a guide to mark each clamp location and notch out the bedliner. Reinsert clamps.

Rail system is now ready for a typical installation. Use a wrench to tighten the clamps.



## ZipRail Tonneau Installation Instructions

### 4 Secure the Fabric

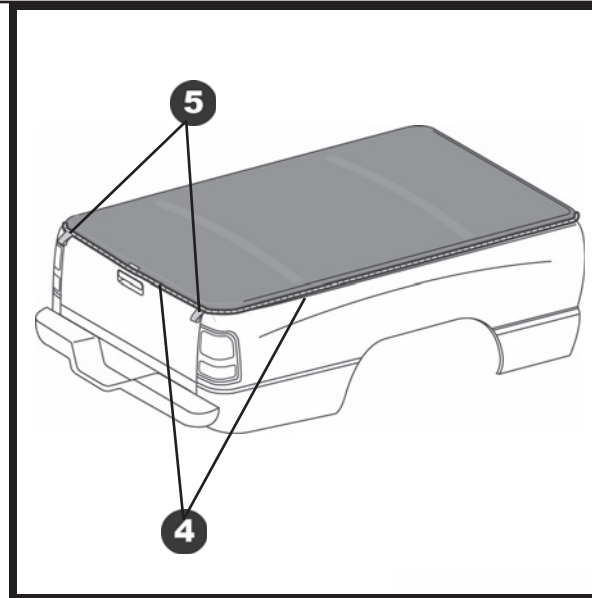
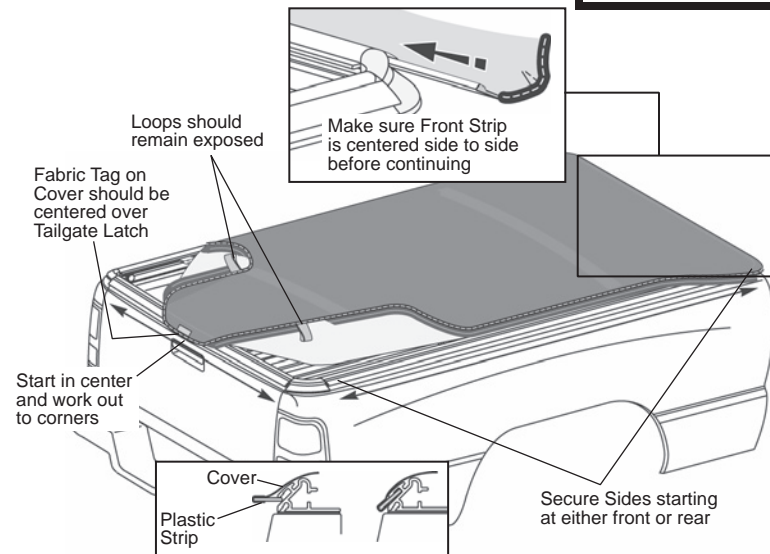
Make sure the inside edge of the Front Rail is aligned with the inside edge of the bed and that the Rail Assembly is centered from side to side on the vehicle.

Check that the front strip on the Tonneau Fabric is centered in the Front Rail. If not slide the strip in the rail until it is centered.

The plastic strips along the three sides of the vinyl cover fit into the grooves in the rail assembly.

Pull the cover over the bows to the rear of the truck. Center the fabric tag above the tailgate latch and begin inserting the rear plastic strip into the groove working from the center out to each rear corner. Use one hand to insert and the other to guide the plastic into the groove.

Start at either the front or rear corner to insert the side plastic strip into the groove. Work to the opposite corner. Repeat on both sides.



### 5 Removing Cover

To remove cover: Use the loops at the Right or Left rear corner and ease the plastic strip out of the rail by pulling DOWN and OUT. Then peel the plastic strip out of the remainder of the rear rail. Pull DOWN and OUT on the vinyl fabric to remove the plastic strips from the sides of the rail assembly.

Roll cover toward cab of truck. Use Hook & Loop straps attached to front of rail to secure cover.

To fasten cover, repeat installation step 4.

