



Installation Instructions
Fabric Replacement Top for Trektop NX Twill

Vehicle Application:
Jeep Wrangler TJ
 1997 – 2006
 Part Number: 59720

Installation Tips

Before you begin installing your new Trektop NX, please read all the instructions thoroughly.









For a smooth fit:

For easier installation, the top should be installed at a temperature above 72° F. Below this temperature, the fabric may contract an inch or more, making it difficult to fit the vehicle.

It is normal for the fabric to contract and wrinkle when stored in the shipping carton. Within a few days after installation, the fabric will relax and the wrinkles will disappear.



CAUTION Safety glasses should be worn at all times when installing this product.

Tools			Installation Time	
 Phillips Screwdriver	 Utility Knife	 Safety Glasses		1/2 Hour
			Skill Level	
			   	2 - Moderately Easy

WARNING This product is designed primarily to enhance the appearance of the vehicle and to shield the occupants from ordinary weather conditions. Do not rely in any way on the components of this product to contain the occupants within the vehicle, or to protect against injury or death in the event of an accident. This product will not protect the occupants from falling objects. Never operate the vehicle in excess of manufacturer's specifications.

WEAR SEAT BELTS AT ALL TIMES

Read and follow, precisely, all installation instructions provided when installing this product. Failure to do so may result in a poor fit and could place occupants of the vehicle in a potentially dangerous situation.

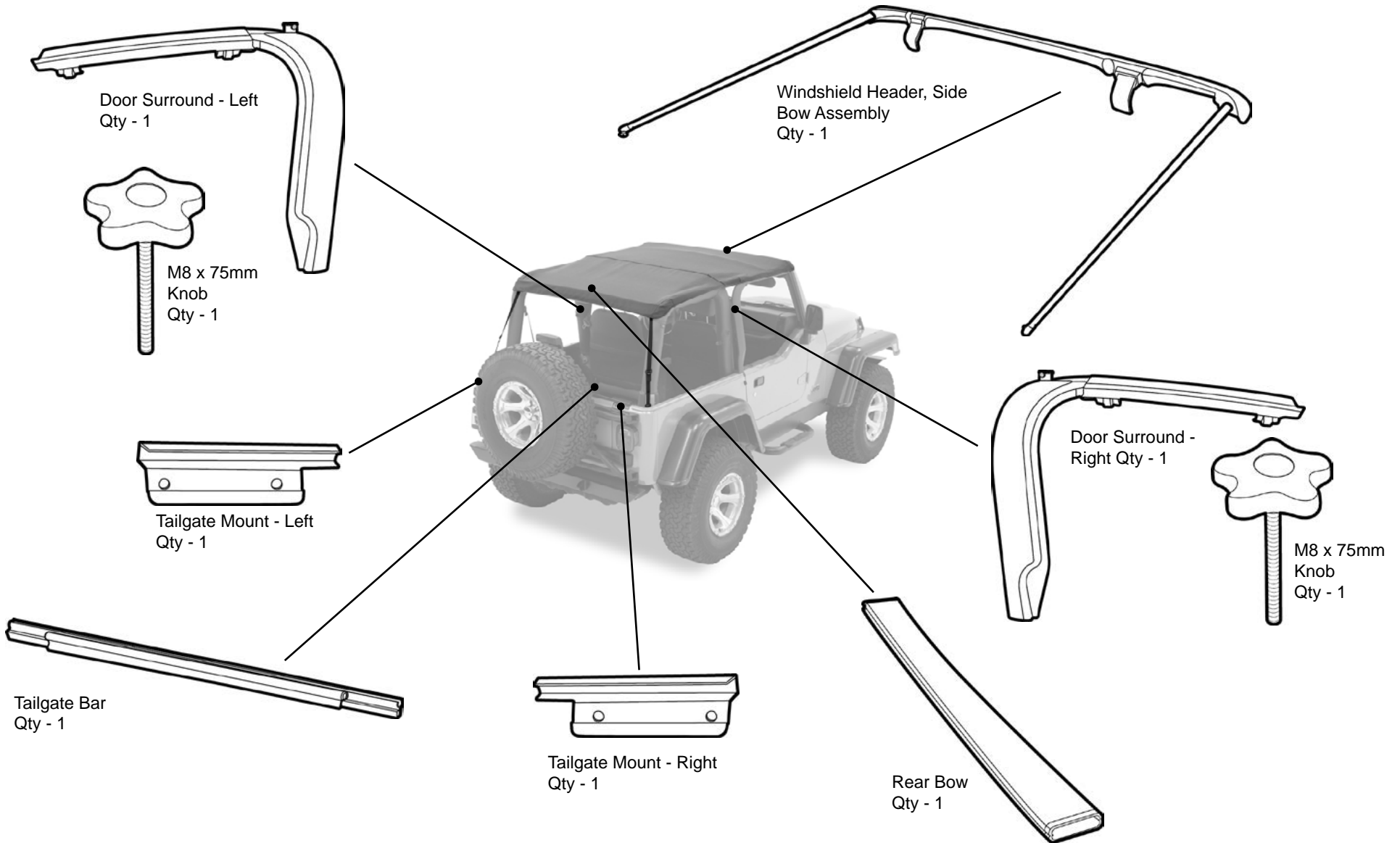


Installation Instructions
Fabric Replacement Top for Trektop NX Twill

Vehicle Application:
Jeep Wrangler TJ
1997 – 2006
Part Number: 59720



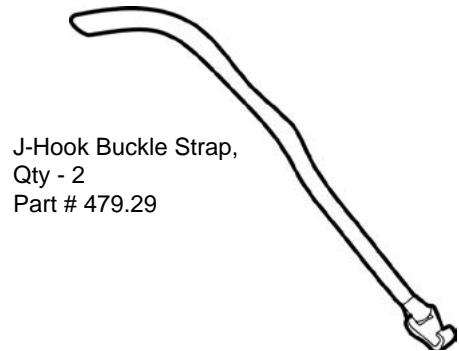
!STOP! Do not proceed unless you have a Trektop NX already installed.
You will need these parts to complete the installation



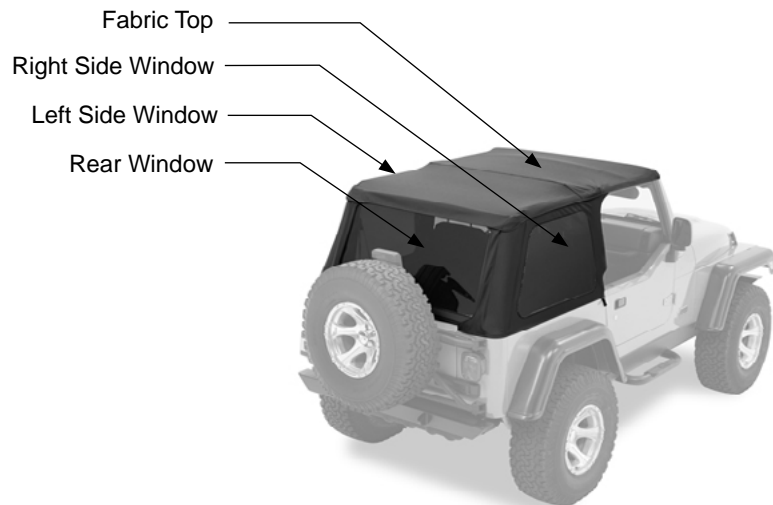


Included Parts

Used in Section 9 Buckle Strap

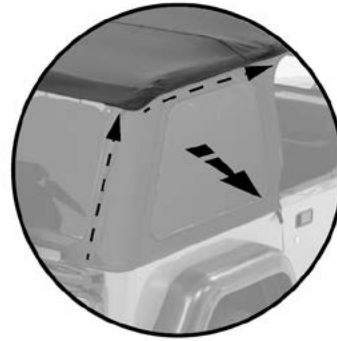


Used in Sections 5 – 15 Fabric Top and Windows



Section 1 Remove Side and Rear Windows from Old Top

Step 1



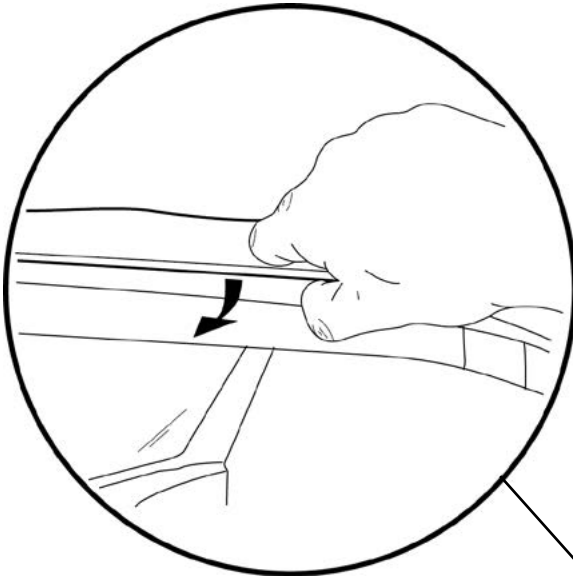
Step 1

Remove Side Windows and Rear Window.



Section 2 Release Plastic Strips and Web Straps

Step 1



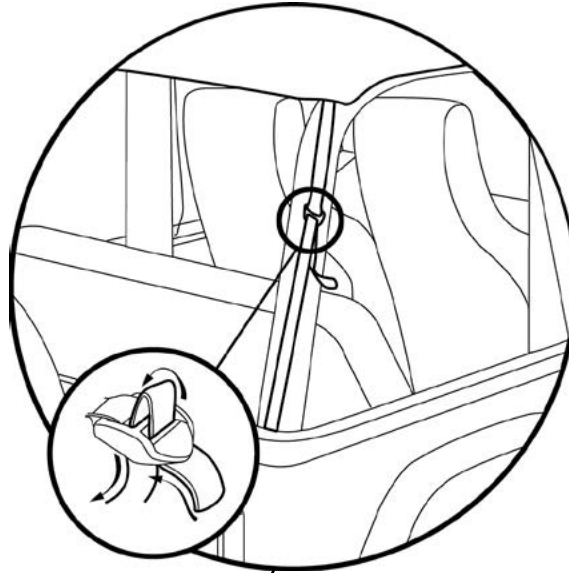
Step 1

Release plastic strips above the doors from the channel in the Door Surround on each side of the vehicle.

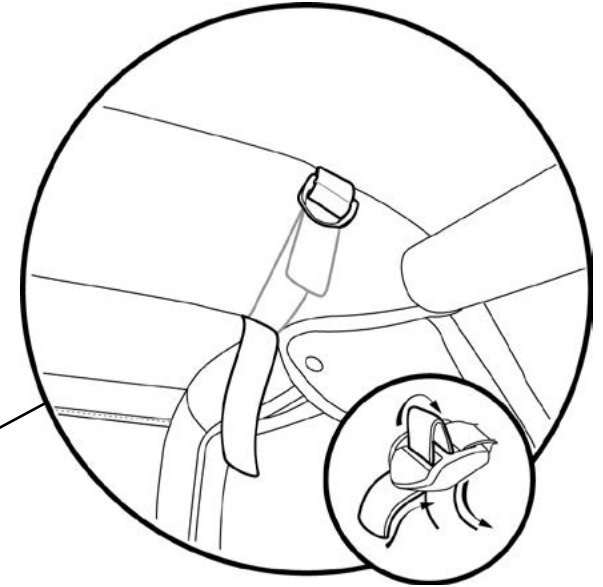
Step 2

Loosen, remove, and discard Rear Strap.

Step 2

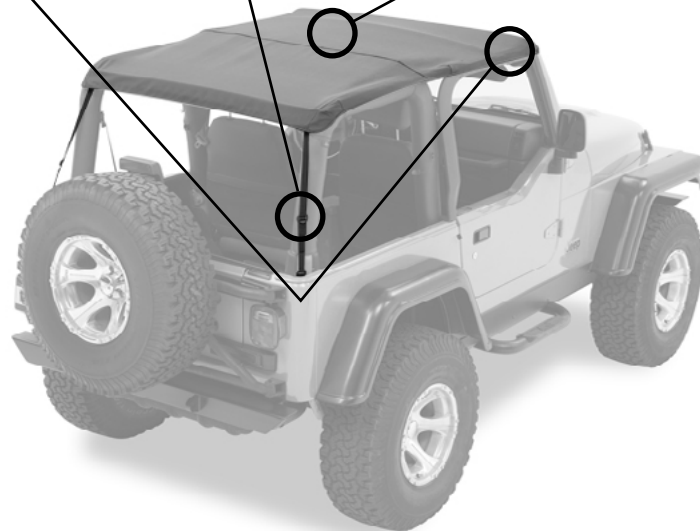


Step 3



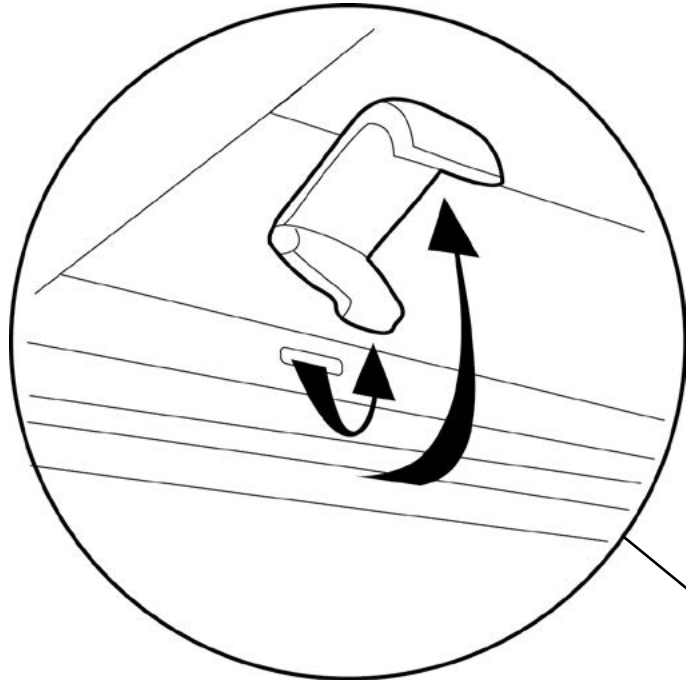
Step 3

Release straps around sport bar.



Section 3 Remove Header and Fabric From Vehicle

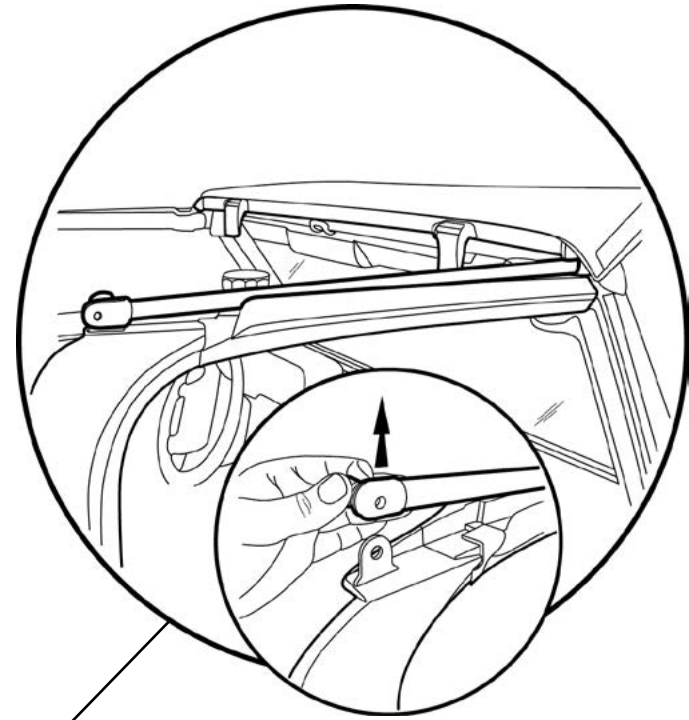
Step 1



Step 1

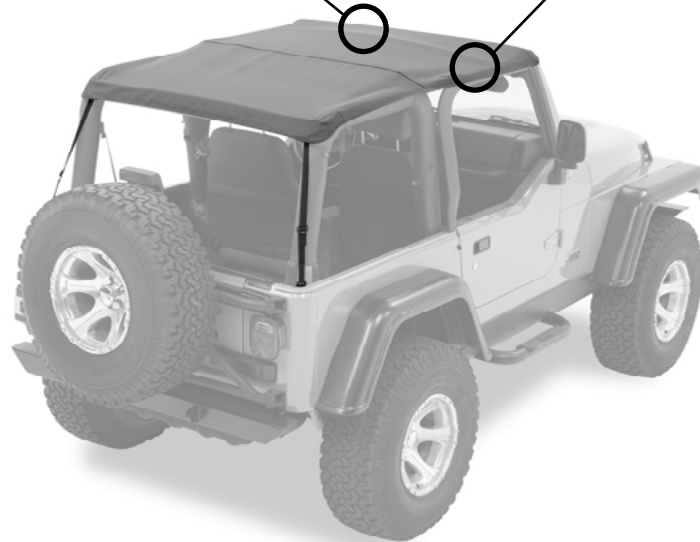
Release the latch that secures the header to the windshield. Pull up on the lever and then down and out to release the hook from the slot in the windshield frame

Step 2



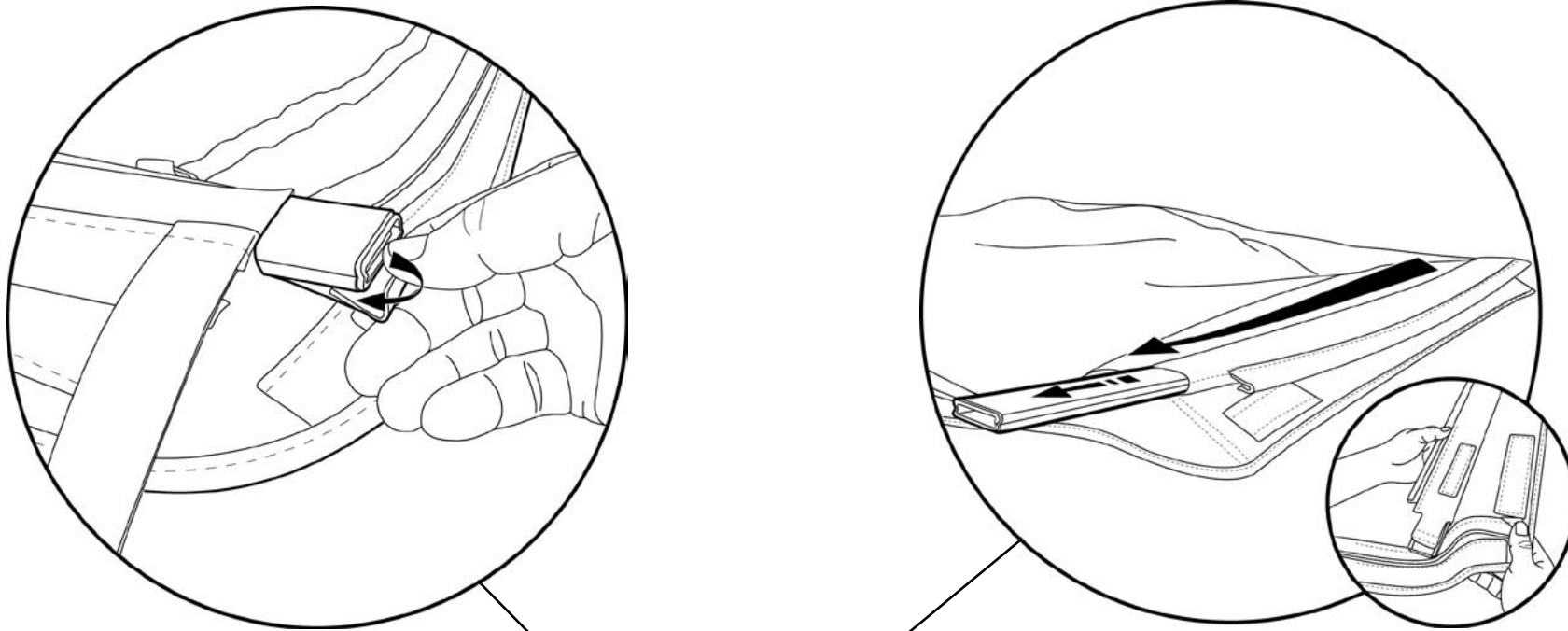
Step 2

Fold the Top Fabric toward the front of the Header. Pull the release knob on the Side Bow to release the pin from the Door Surround Bracket. Repeat on the other side of the vehicle.



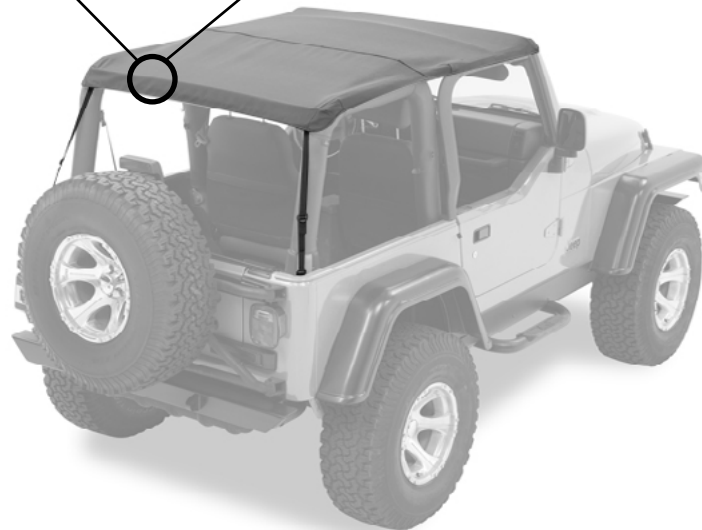
Section 3 Remove Header and Fabric From Vehicle (cont.)

Step 3



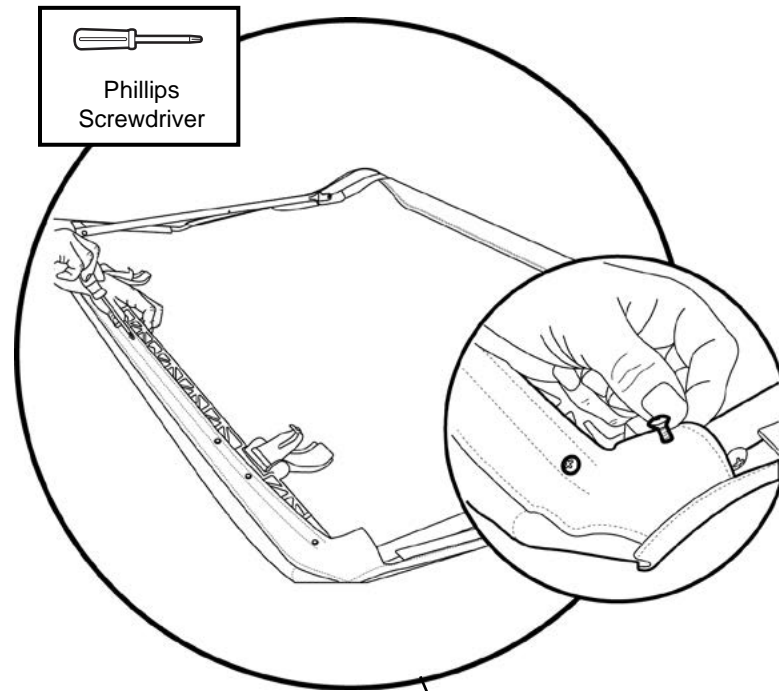
Step 3

Release the J-Hooks on the rear bow flaps from the ends of the Rear Bow. Slide the Rear Bow out of the pocket in the Top Fabric.



Section 4 Remove Fabric From Header

Step 1

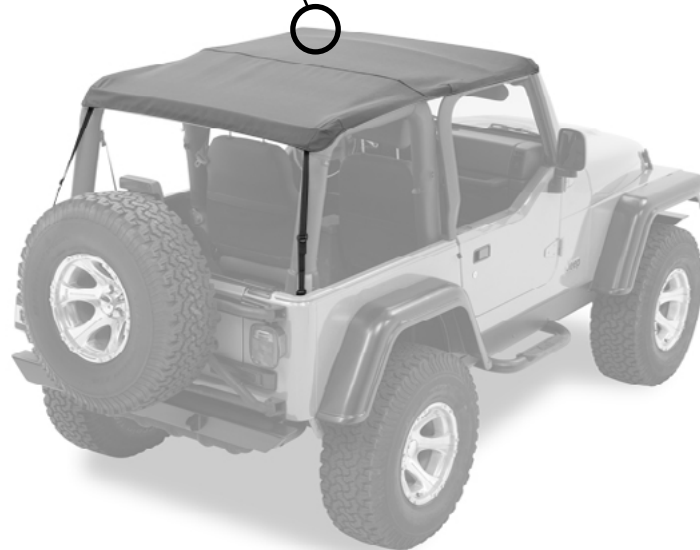


Step 1

Remove the #8 x 5/8" Pan Head Screws along the front of the header.

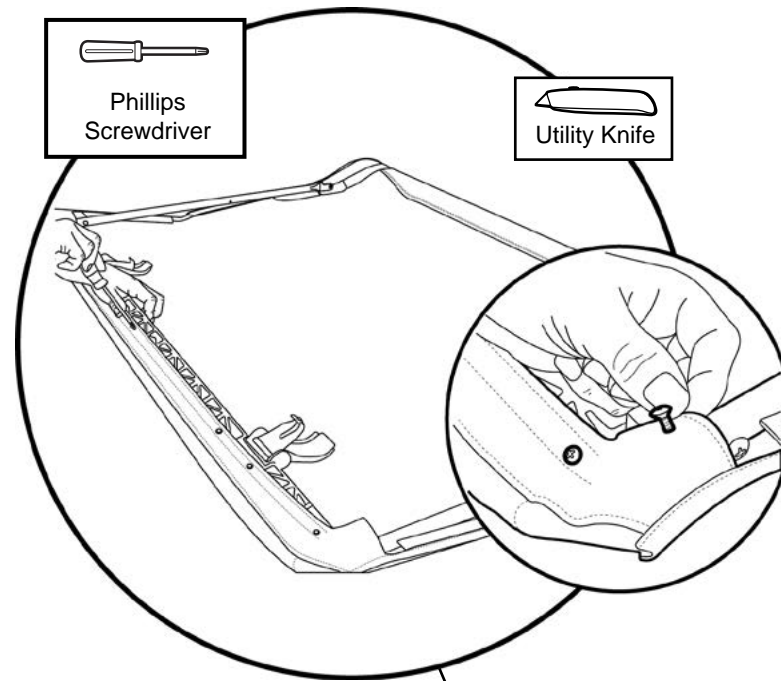
Remove the Oval Head Screw in the outside holes on each side of the Header.

Set all screws aside to be reused.



Section 5 Install New Top Fabric On Header

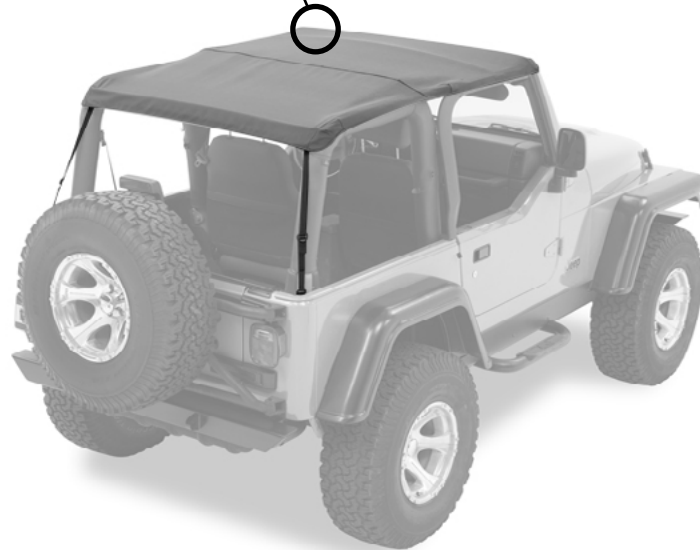
Step 1 Top Fabric



Step 1

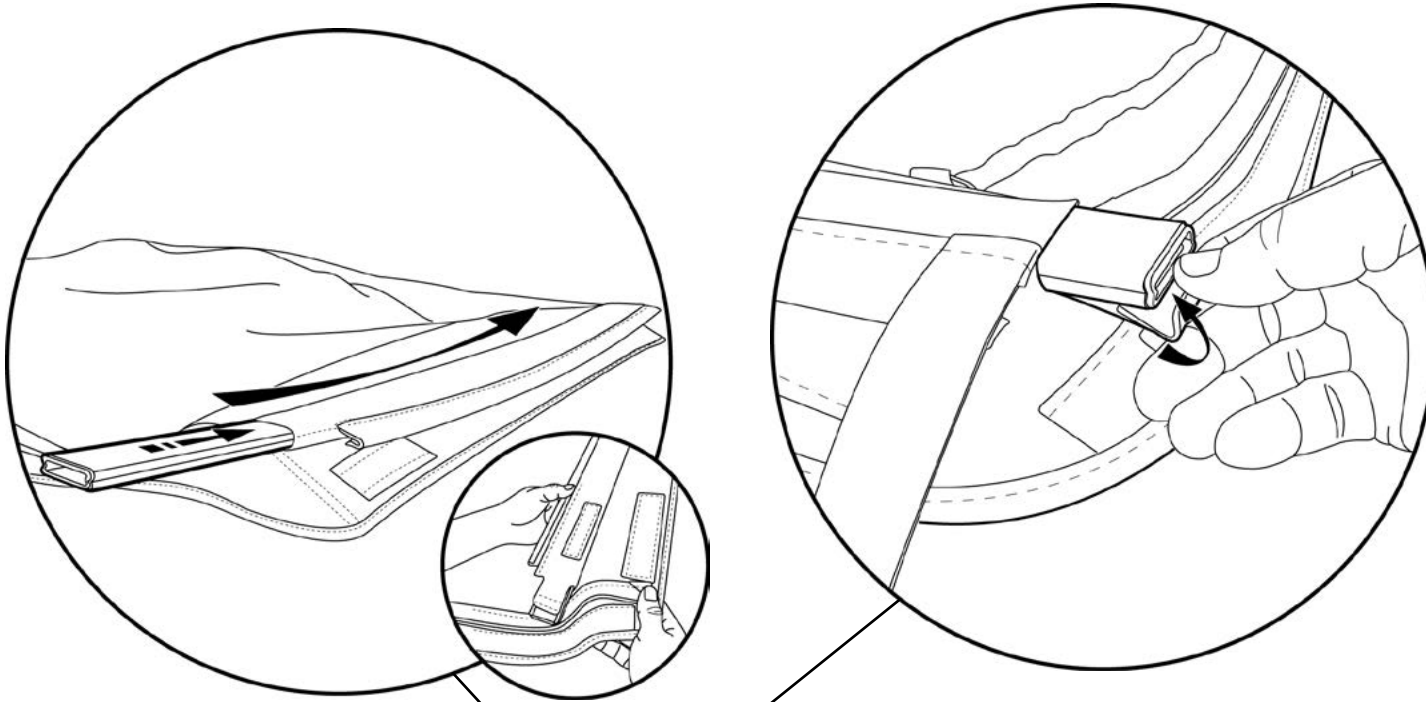
Lay the top fabric, backing side up and aligned with the front edge of the Header. Use a utility knife to slit the fabric over each screw position. Locate the round hole that marks the center of the plastic strip (all other holes are slotted). Install a #8 x 5/8" Pan Head Screw in the round hole to secure the fabric to the header as well as to center the top. Then install #8 x 5/8" Pan Head Screws in the remaining holes along the front of the header.

Install an Oval Head Screw in the outside holes on each side of the Header.



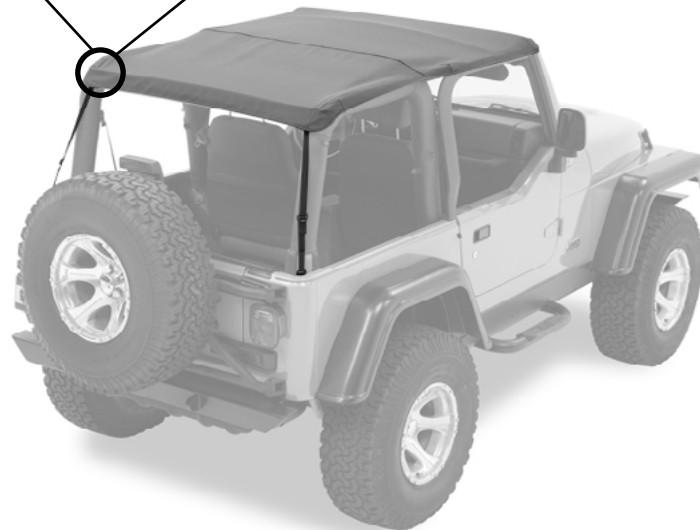
Section 6 Install Rear Bow

Step 1



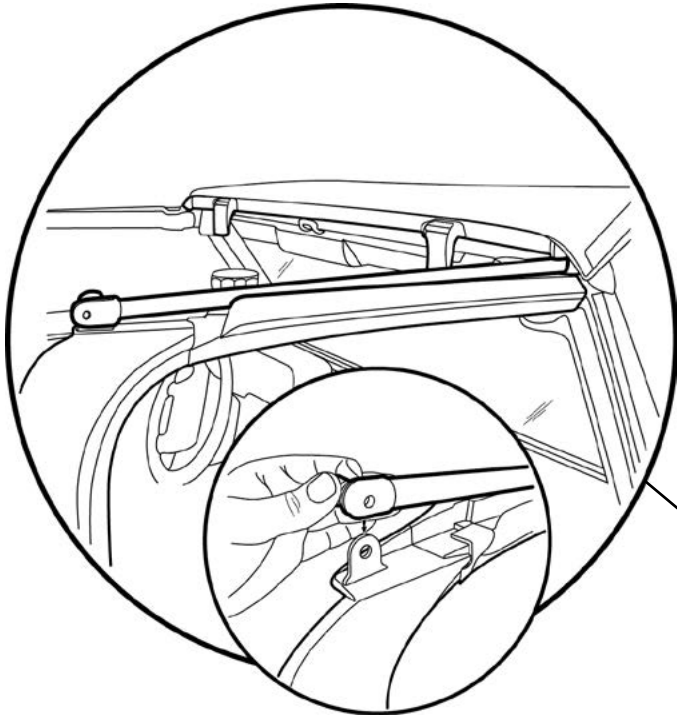
Step 1

Slide the Rear Bow into the pocket inside the rear of the Top Fabric. Secure the J-Hooks on the rear bow flaps to the ends of the Rear Bow.

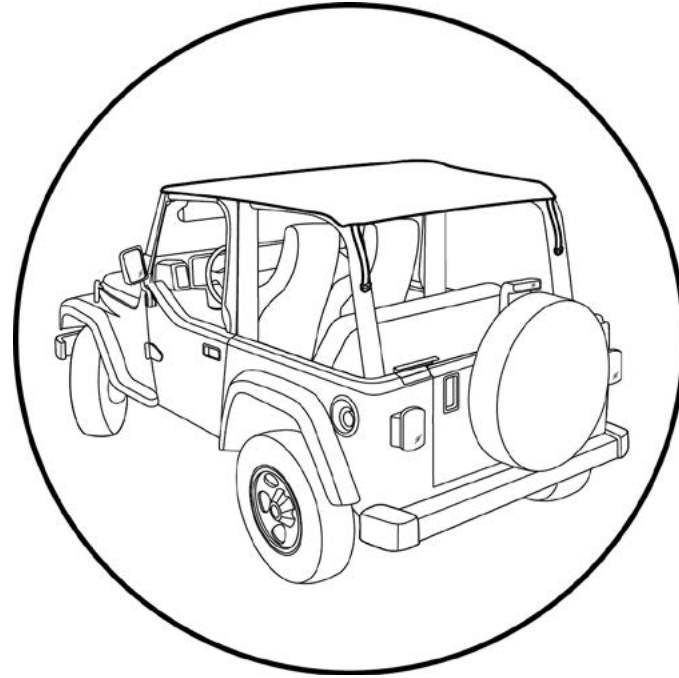


Section 7 Mount Header Assembly to Door Surround

Step 1



Step 2



Step 1

Fold the Top Fabric toward the front of the Header. Place the Header on the vehicle. Pull the release knob on the Side Bow and insert the pin into the Door Surround Bracket. Repeat on the other side of the vehicle.

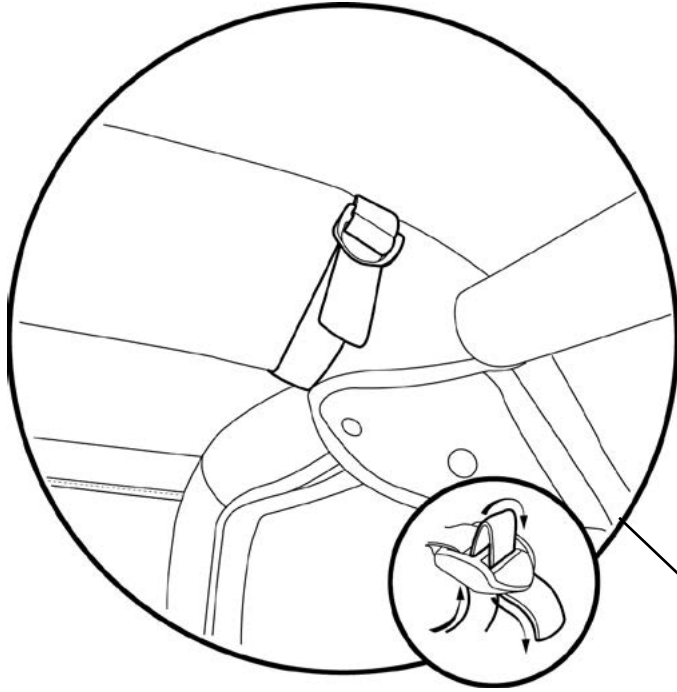


Step 2

Pull the Top Fabric back over the sport bar.

Section 8 Secure Straps to Sport Bar

Step 1



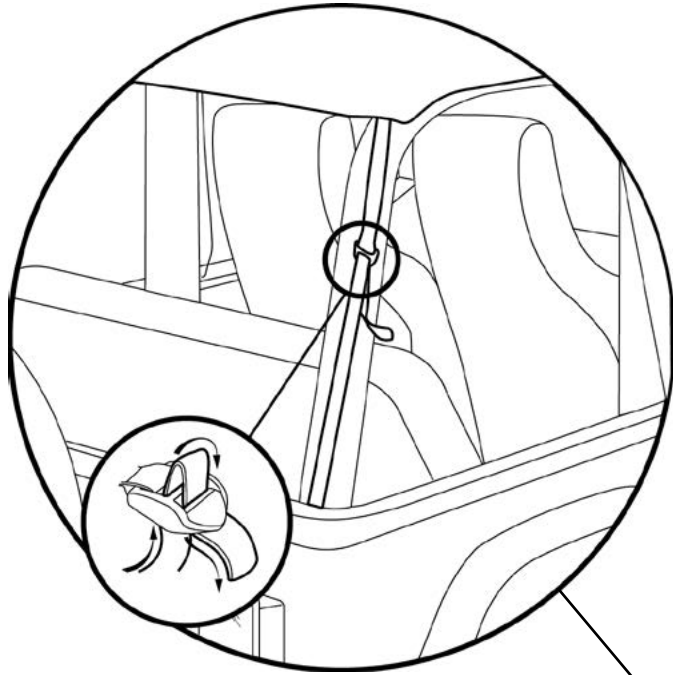
Step 1

Loosen the speaker pod. Slip the straps between the speaker pod and the sport bar. Wrap the straps around the sport bar on each side of the vehicle. Thread the ends of the straps through the buckles and tighten. Tighten the speaker pod.

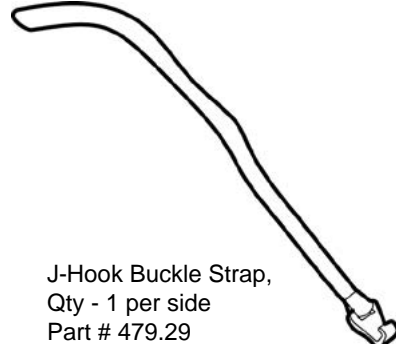


Section 9 Secure Rear Strap

Step 1 479.29

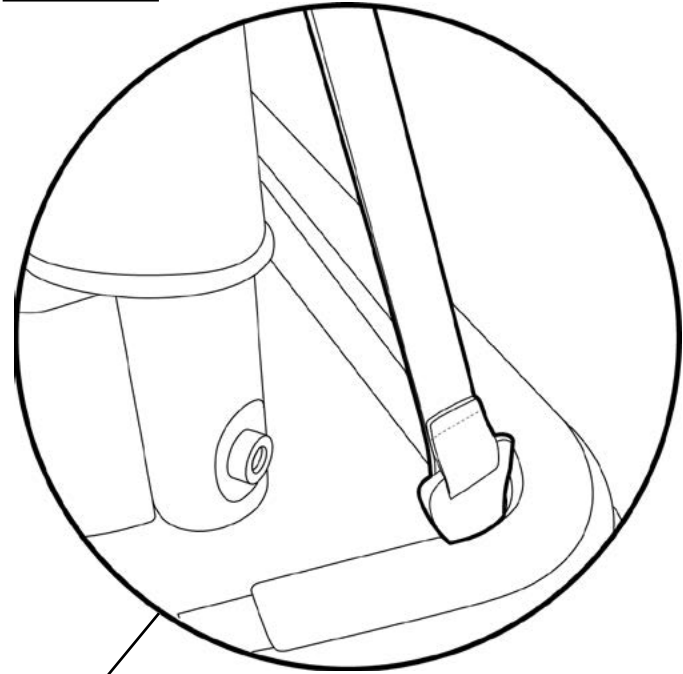


Hardware



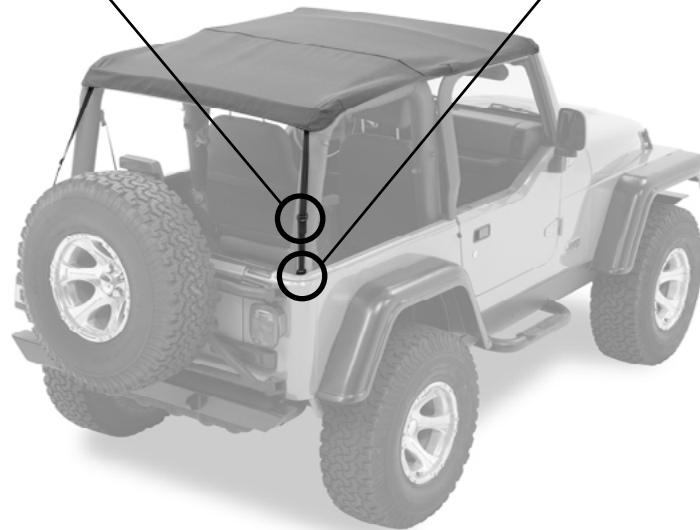
J-Hook Buckle Strap,
Qty - 1 per side
Part # 479.29

Step 2



Step 1

Thread a J-Hook Buckle Strap through the buckle on one of the rear straps.

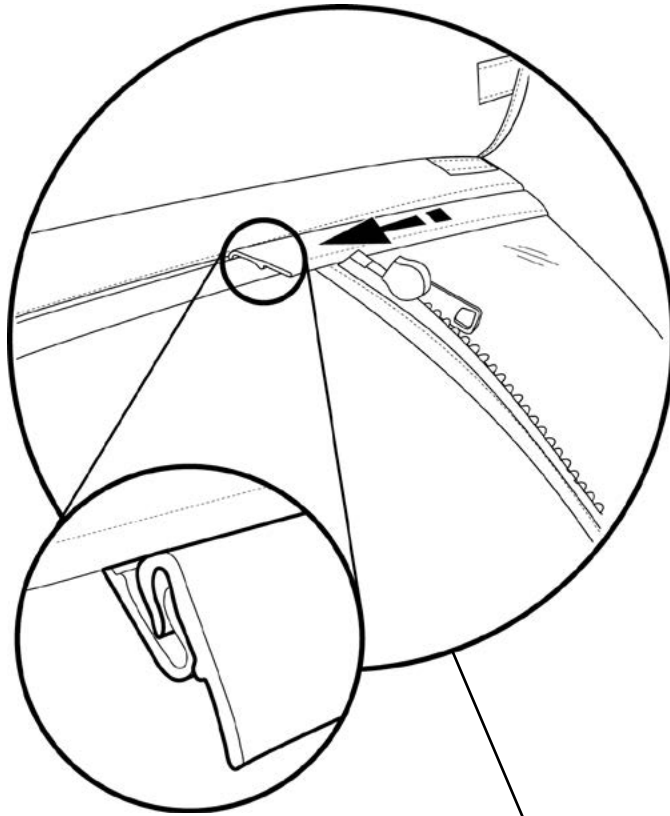


Step 2

Hook the strap to the ledge inside the rear corner of the vehicle. Repeat on both sides of the vehicle.

Section 10 Install Rear Window

Step 1



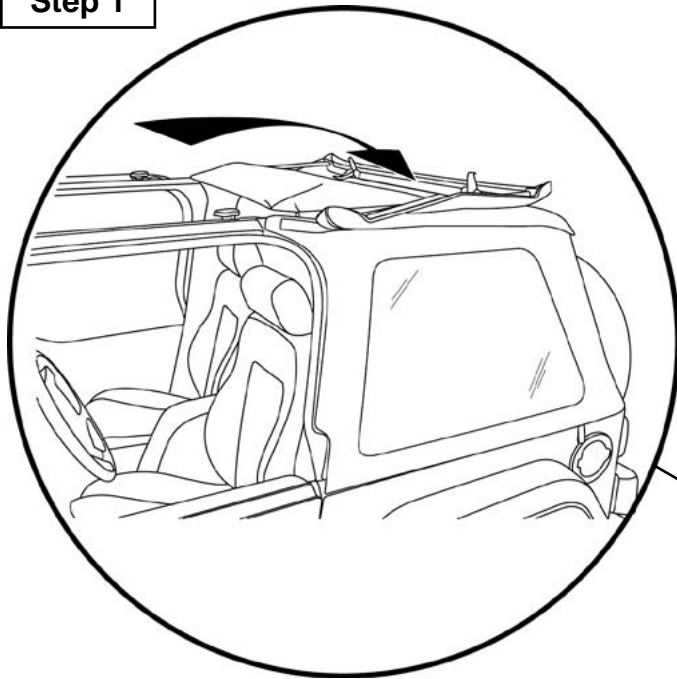
Step 1

Align the J-slide with the J-slide sewn into the rear of the Top. Slide them together until the Rear Window is centered in the opening.

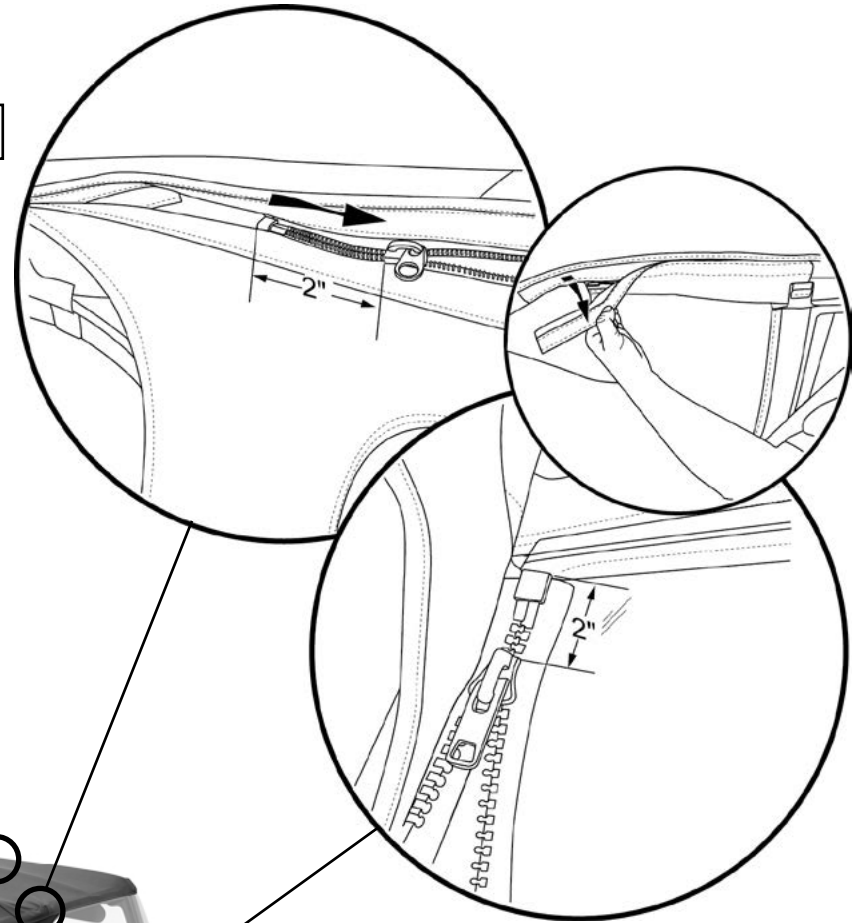


Section 11 Install Side Window

Step 1

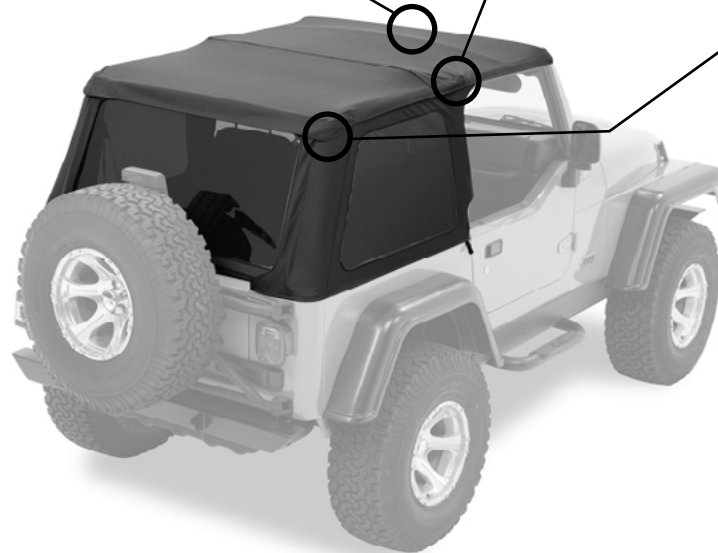


Step 2



Step 1

Open the header to make it easier to install the Side Windows and the Rear Window.



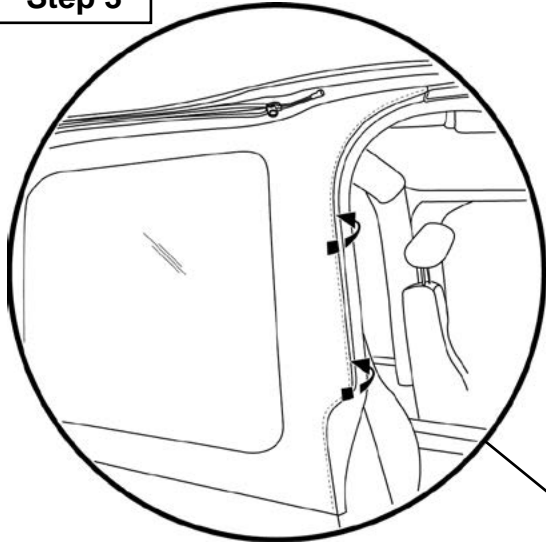
Step 2

Separate the protective flap covering the hook strip on the side of the Deck. Open the flap toward the inside of the vehicle.

Start the zipper along the top of the Side Window with the zipper in the Top. Only close the zipper 1-2". Repeat with the rear zipper and the zipper on the Rear Window. Repeat with both Side Windows.

Section 11 Install Side Window (cont.)

Step 3



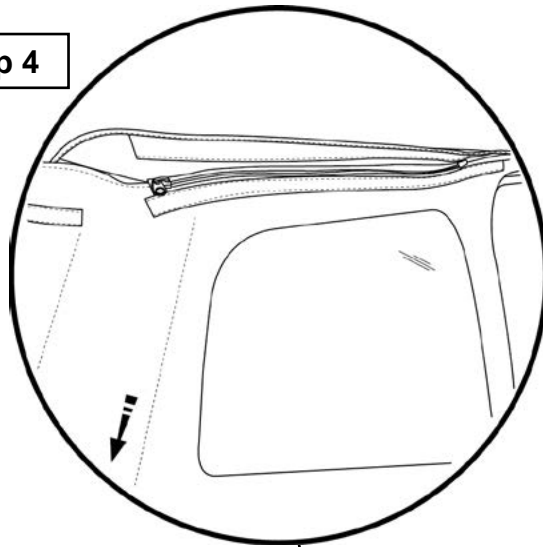
Step 3

Slip the plastic strip on the front of a Side Window into the channel in the Door Surround. Repeat with both Quarter Windows.

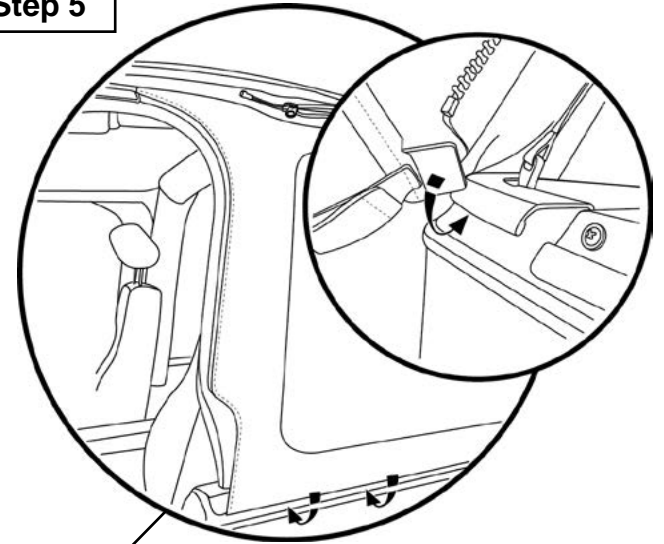
Step 4

Close the zippers along the top of each Side Window. Push Plastic Reinforcement down to make it easier to close zipper.

Step 4

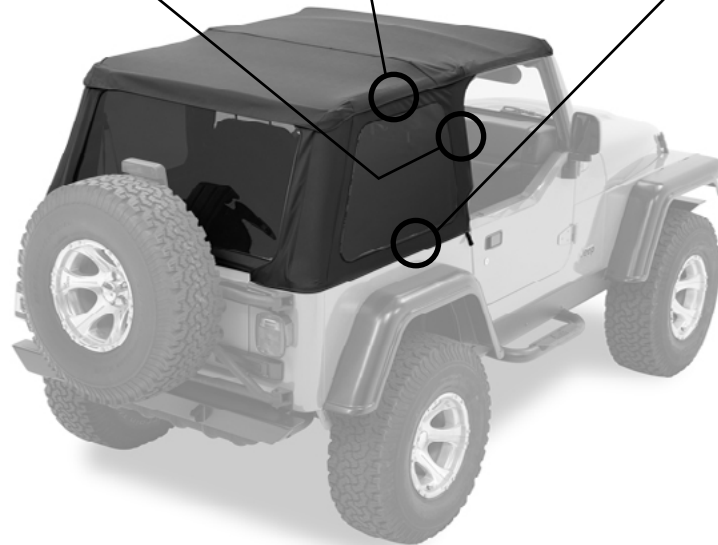


Step 5



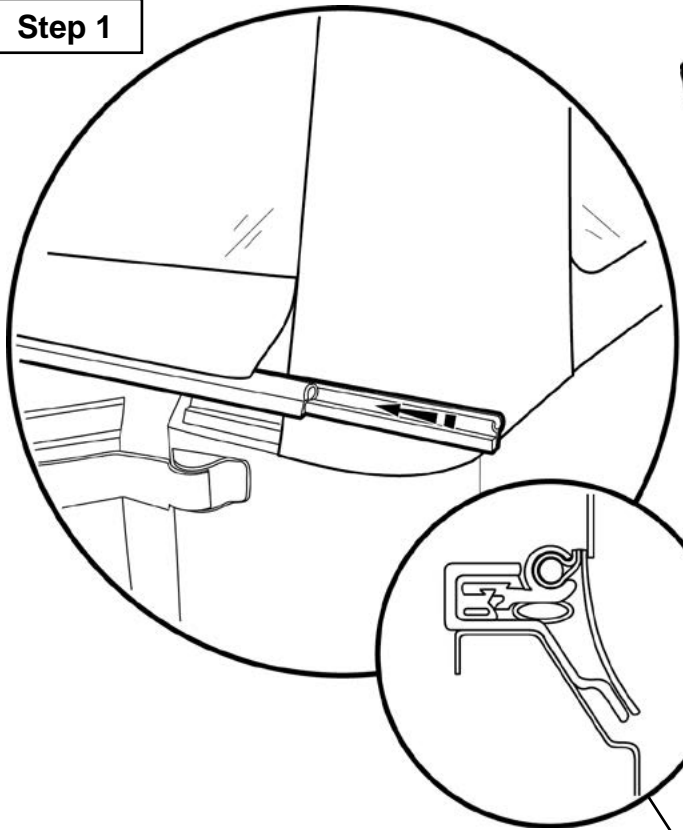
Step 5

Slip the plastic strip along the bottom of the Side Windows into the channel in the belt rail on each side of the vehicle.



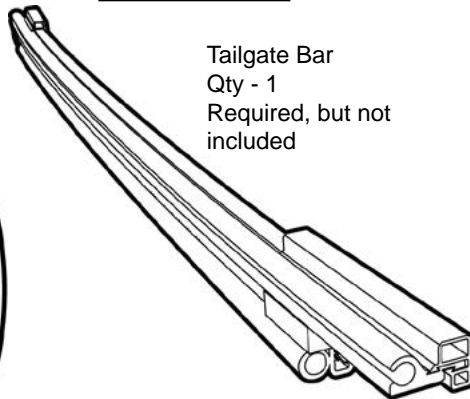
Section 12 Install and Secure Tailgate Bar

Step 1

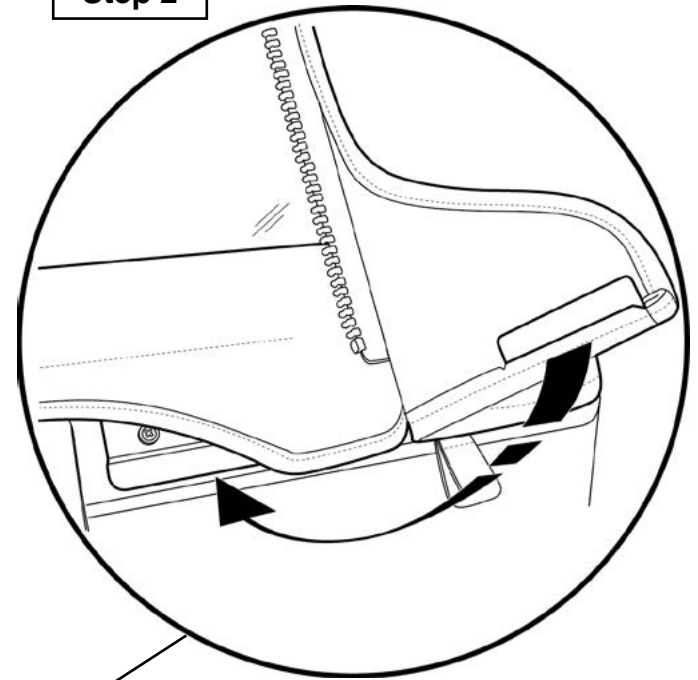


Hardware

Tailgate Bar
Qty - 1
Required, but not
included



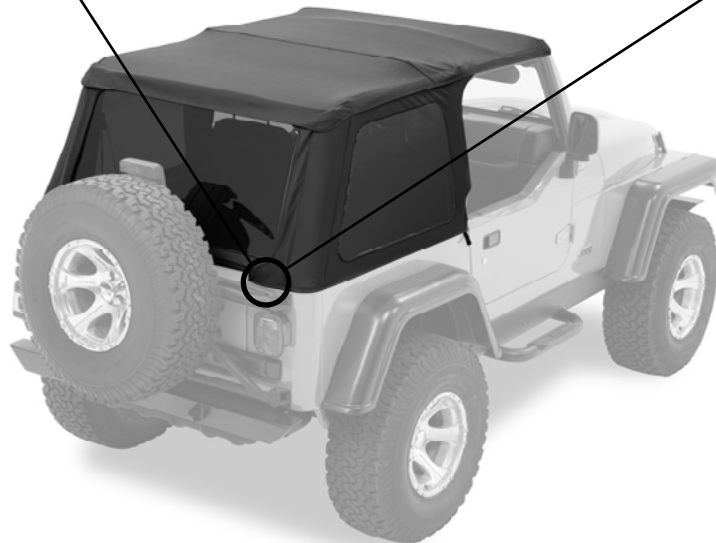
Step 2



Step 1

Open the tailgate. Orient the Tailgate Bar with the rubber bulb facing down, in order to form a seal with the top of the tailgate. Slide the groove in the Tailgate Bar onto the tube inside the bottom of the Rear Window. Roll the Tailgate Bar into the top of the Tailgate Mounts.

Close the Rear Window zippers.



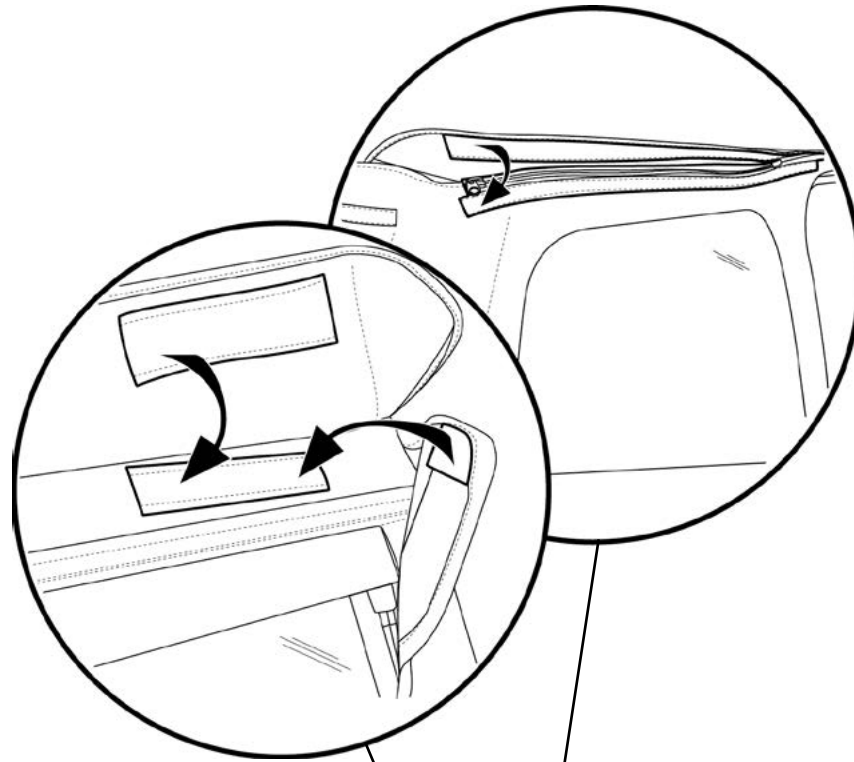
Step 2

Slip the plastic strips along the bottom of the Rear Window into the channel in the Tailgate Mounts on each side of the tailgate.

Wrap the Quarter Windows over the Rear Window and slip the plastic strips on each Quarter Window into the channel in the Tailgate Mounts on each side of the tailgate.

Section 13 Secure Top Fabric to Side Windows

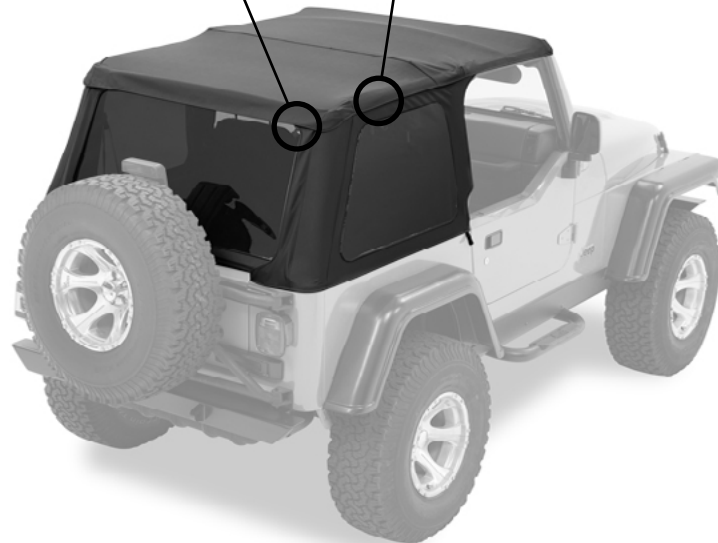
Step 1



Step 1

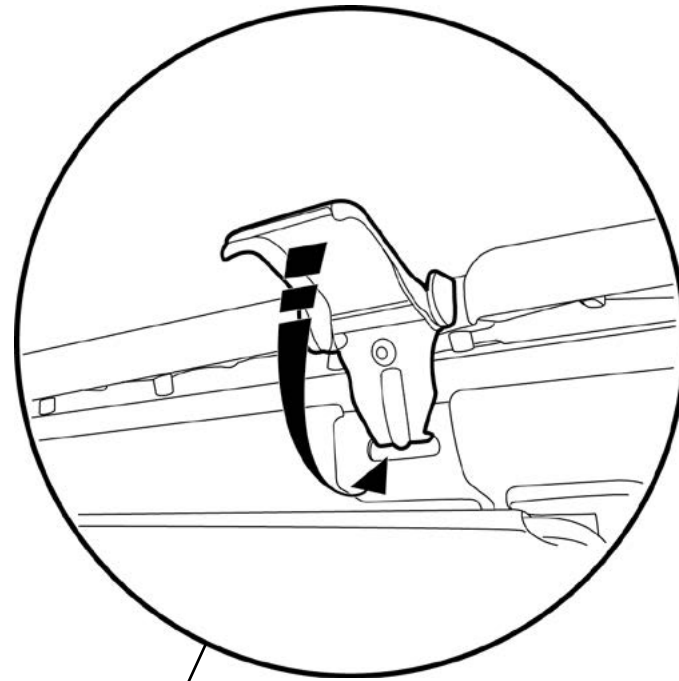
Step One

Fasten the loop strip sewn inside the Top to the hook strip along the top of the Quarter Window on each side of the vehicle.



Section 14 Close Sunrider and Secure Header Latches

Step 1



Step 1

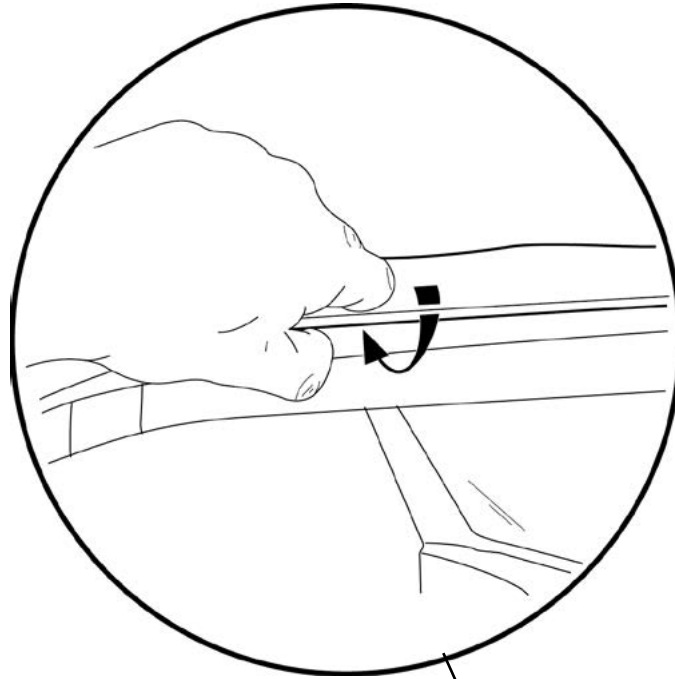
Close Sunrider.

Hook the latches on the Header into the holes in the windshield and close them.



Section 15 Secure Top Fabric to Door Surround

Step 1



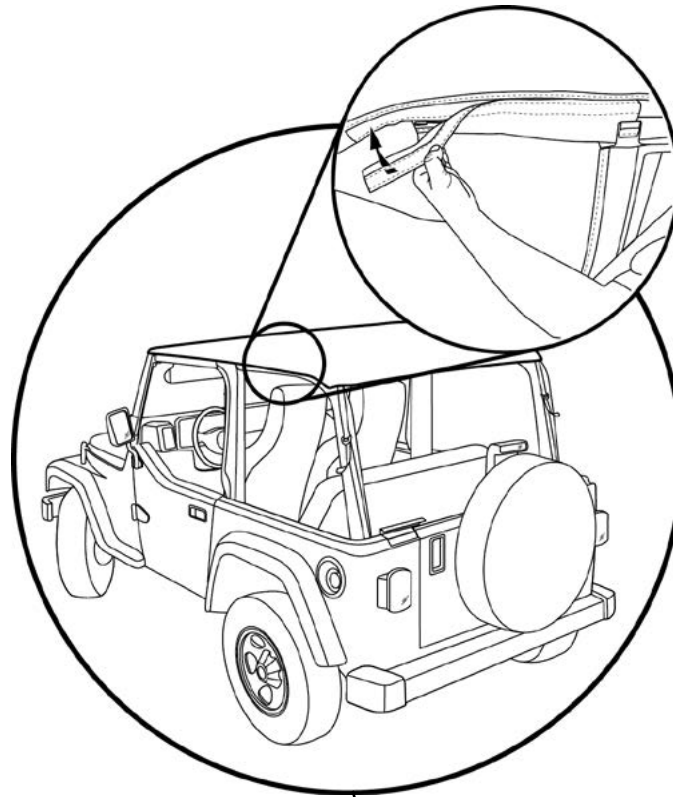
Step 1

Slip the plastic strips above the doors into the channel in the Door Surround on each side of the vehicle..



Section 15 To Use Trektop NX as a Bikini

Step 1



WARNING

When operating the vehicle without the Side Windows, remove the Rear Window for proper ventilation.

Step 1

Your Trektop NX can be used as a Bikini by removing the Side Windows and Rear Window and storing them carefully. Fold the protective flaps over to engage the hook and loop tape.

