



Installation Instructions

Trektop PRO Defrost Harness

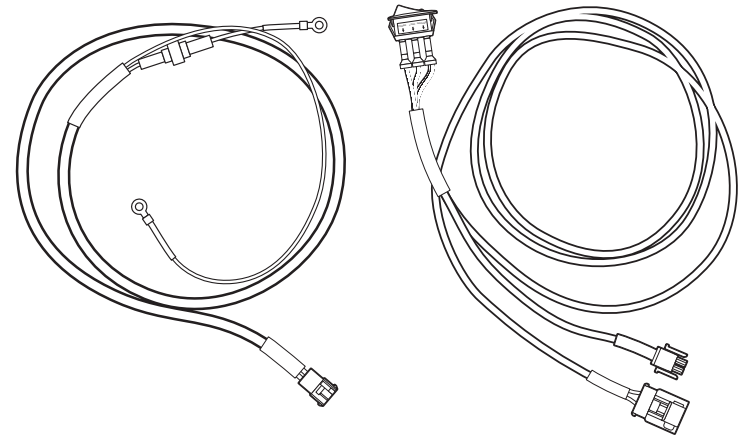
Vehicle Application:
Bestop Trektop PRO
2007-current
Part Number 54857

Installation Tips

Before you begin installing your new [Trektop PRO Defrost Harness](#), please read all the instructions thoroughly.






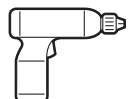
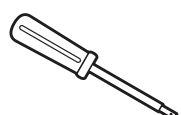
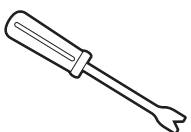
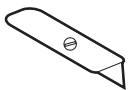
CAUTION


Failure to switch off the defrost grid when the vehicle key is turned off will cause the battery to drain.



CAUTION

Safety glasses should be worn at all times when installing this product.

Tools				
				
1/4" drive 7mm Socket	Safety Glasses	1" Holesaw	Trim Fasteners	Qty. 14 Zip Ties
				
Drill-Driver	1/4" Nut Driver	Trim Removal Tool	Utility Knife	

Installation Time
 2 Hours

Skill Level
<div style="display: flex; justify-content: space-around; align-items: center;"> <div style="border: 1px solid black; border-radius: 50%; width: 30px; height: 30px; display: flex; align-items: center; justify-content: center;">1</div> <div style="border: 1px solid black; border-radius: 50%; width: 30px; height: 30px; display: flex; align-items: center; justify-content: center;">2</div> <div style="border: 2px solid black; border-radius: 50%; width: 30px; height: 30px; display: flex; align-items: center; justify-content: center;">3</div> <div style="border: 1px solid black; border-radius: 50%; width: 30px; height: 30px; display: flex; align-items: center; justify-content: center;">4</div> </div> <p>3 - Moderately Difficult</p>

WARNING

This product is designed primarily to enhance the appearance of the vehicle and to shield the occupants from ordinary weather conditions. Do not rely in any way on the components of this product to contain occupants within the vehicle, or to protect against injury or death in the event of an accident. This product will not protect the occupants from falling objects. Never operate the vehicle in excess of manufacturer's specifications.

WEAR SEAT BELTS AT ALL TIMES

Read and follow, precisely, all installation instructions provided when installing this product. Failure to do so may result in a poor fit and could place occupants of the vehicle in a potentially dangerous situation.

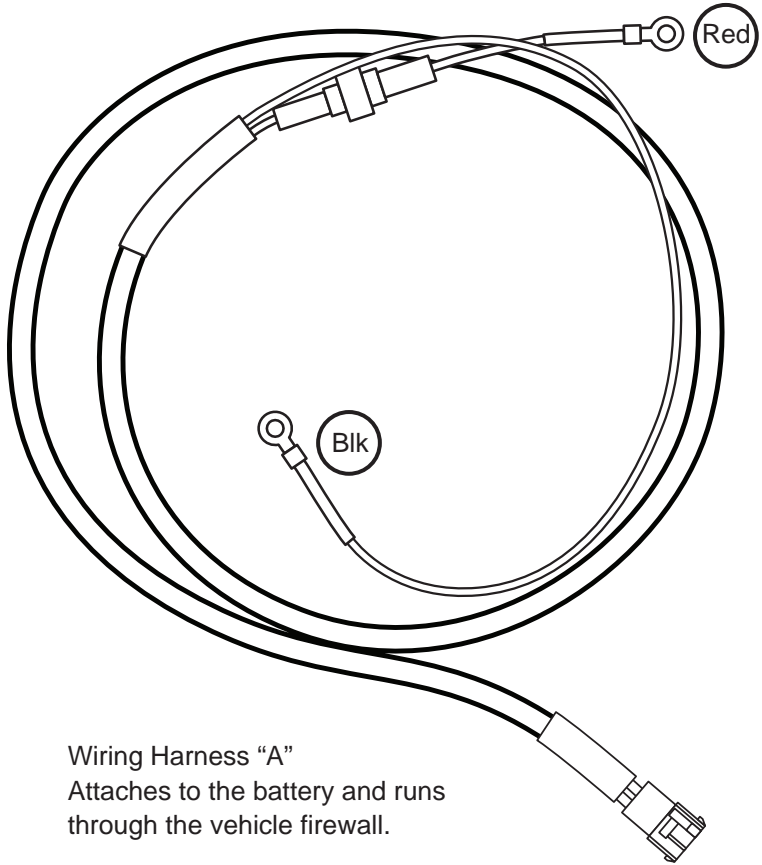
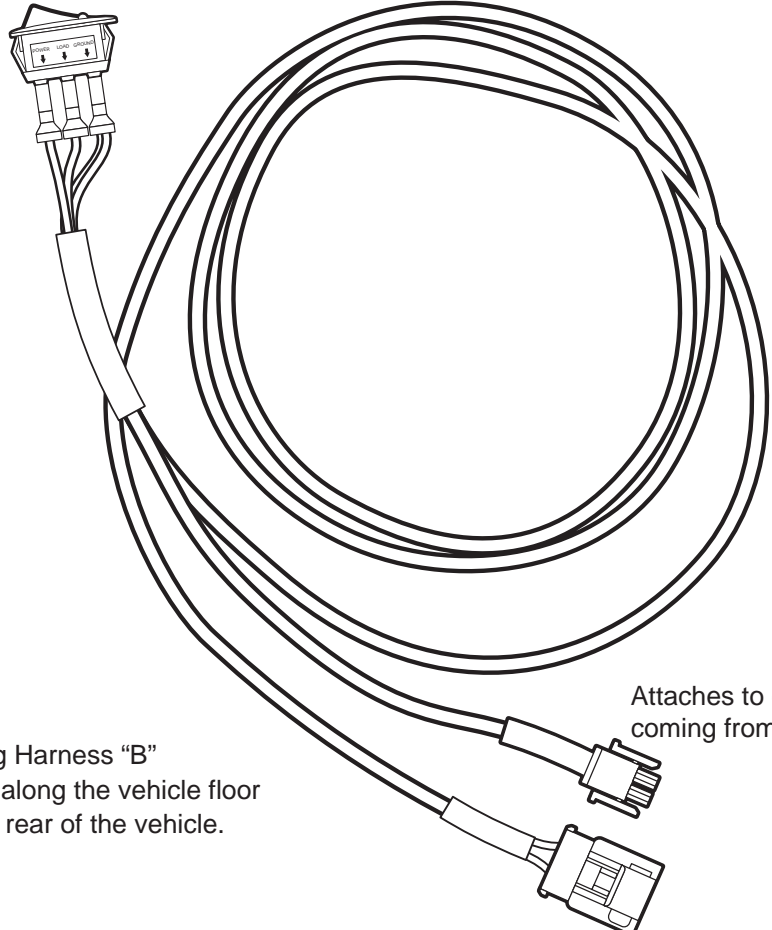



Installation Instructions Trektop PRO Defrost Harness

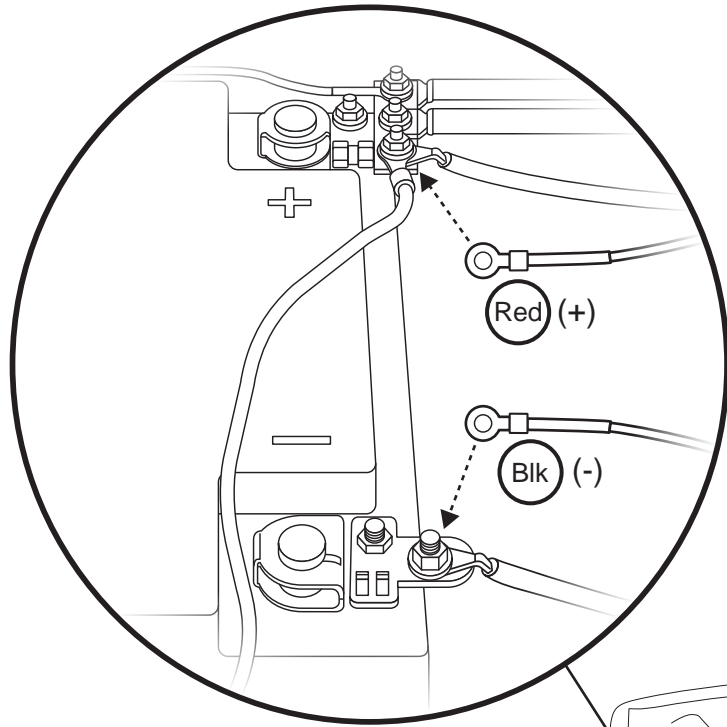
Vehicle Application:
Bestop Trektop PRO
2007-current
Part Number 54857

Parts List

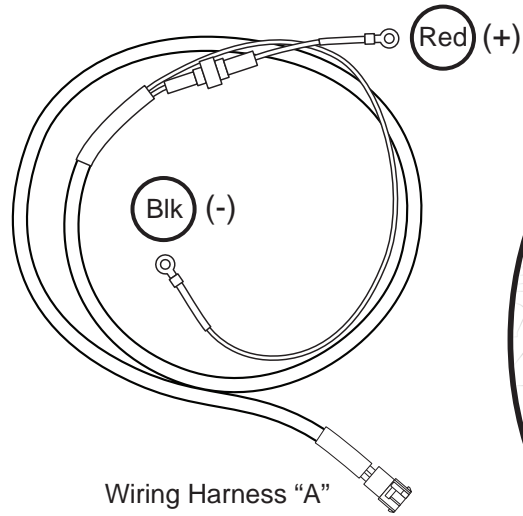
- Required parts for each installation section

All Sections	Wiring Harness	Multiple Pages
	 <p>Wiring Harness "A" Attaches to the battery and runs through the vehicle firewall.</p>	 <p>Wiring Harness "B" Runs along the vehicle floor to the rear of the vehicle.</p>
	 <p>Qty. 14 Zip Ties</p>	<p>Attaches to connector coming from battery</p> <p>Attaches to existing wiring harness at rear of vehicle</p>

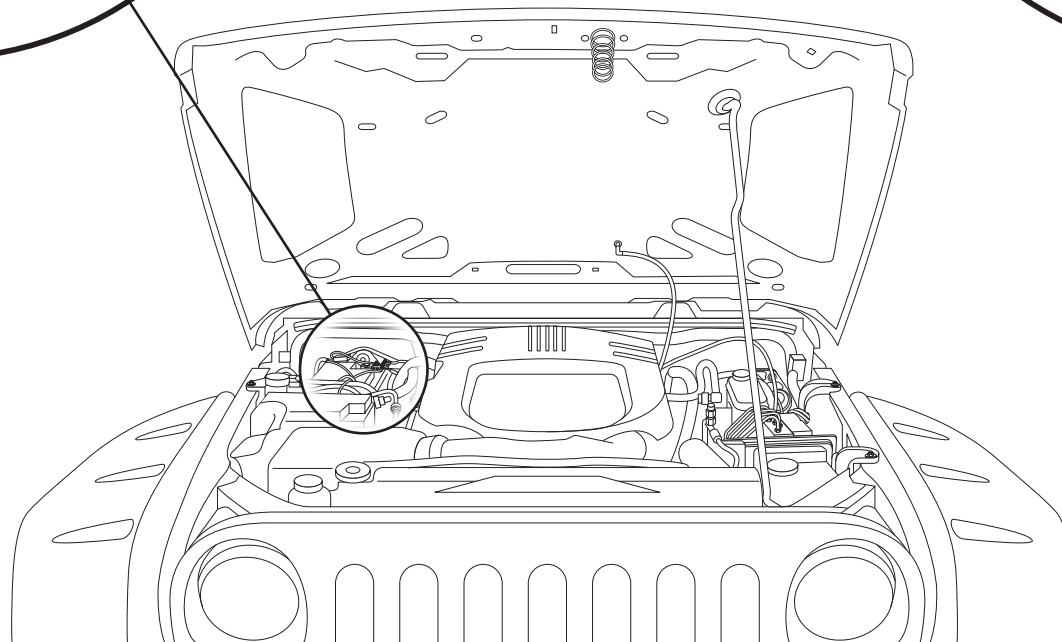
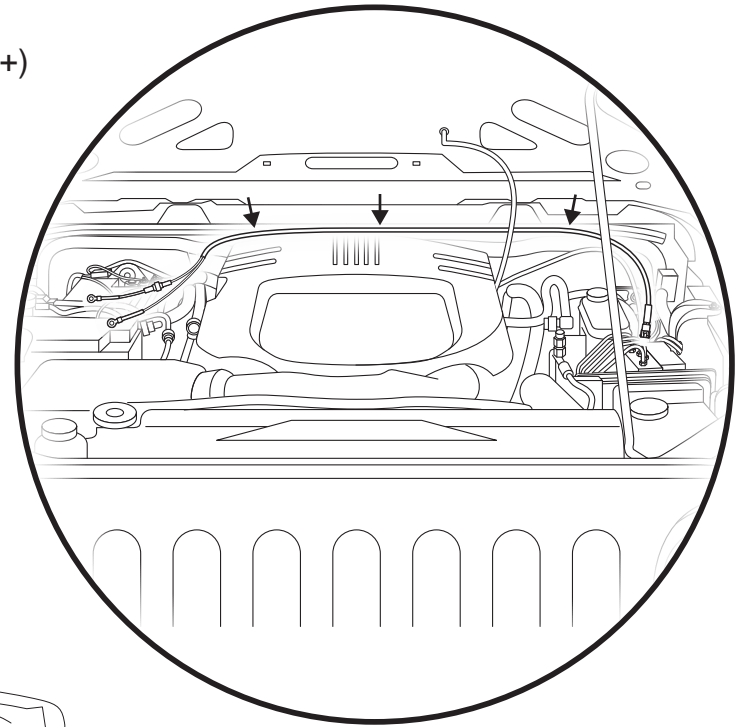
Step 1



Hardware

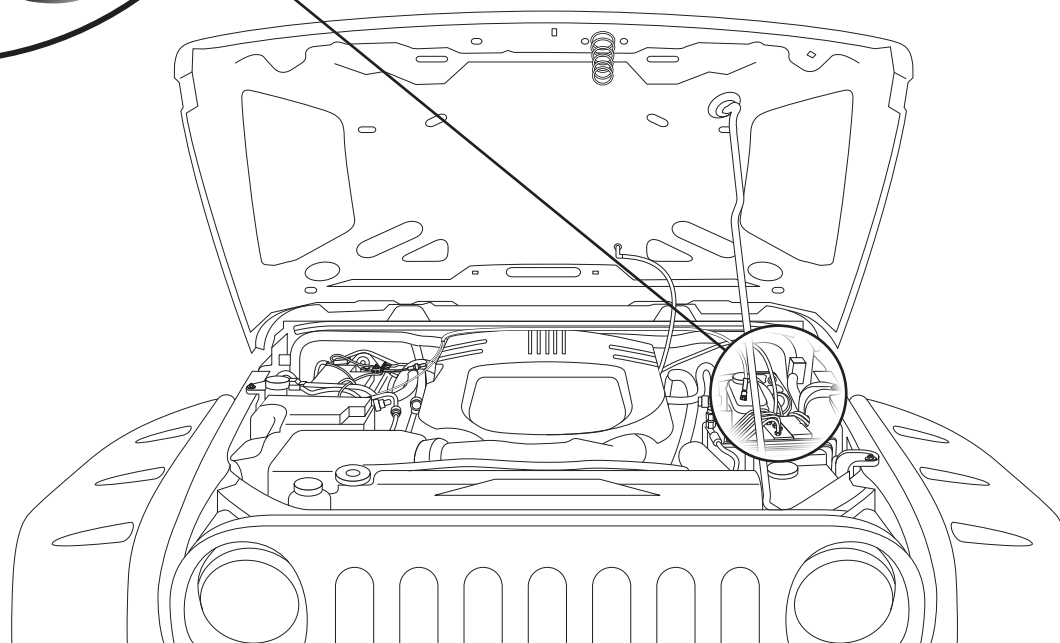
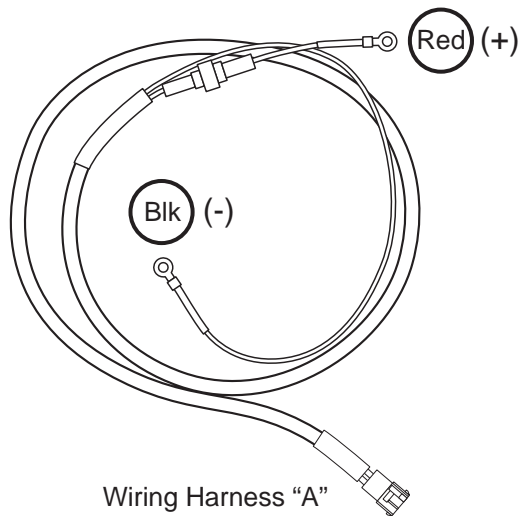
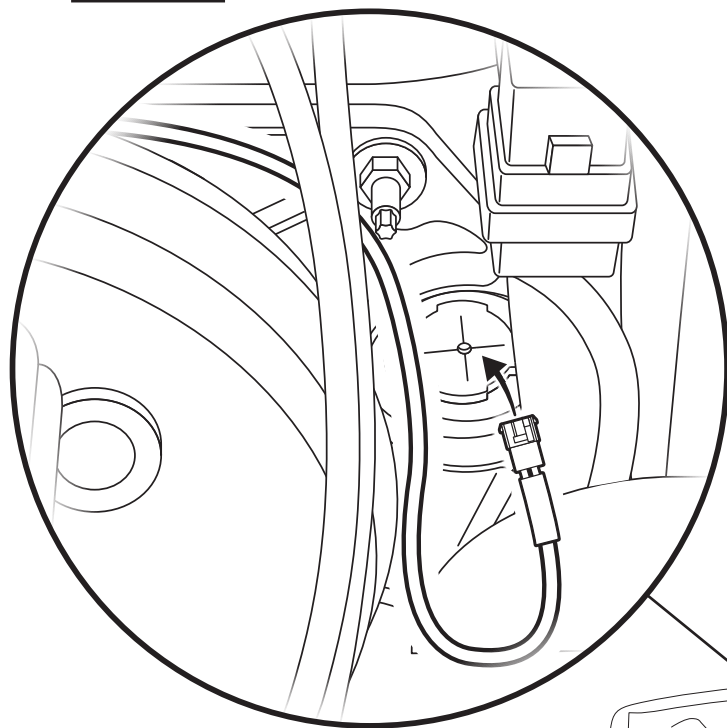


Step 2

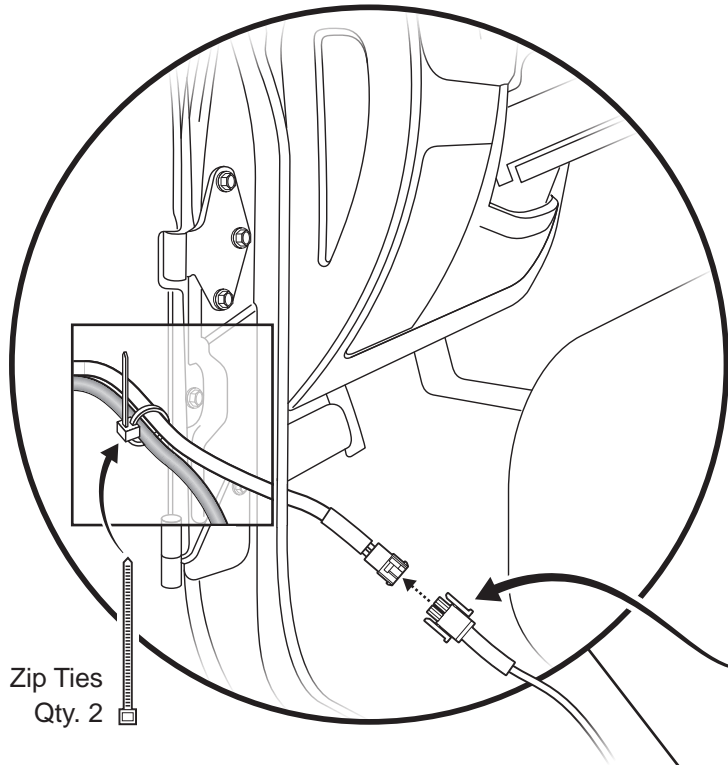


Step 1

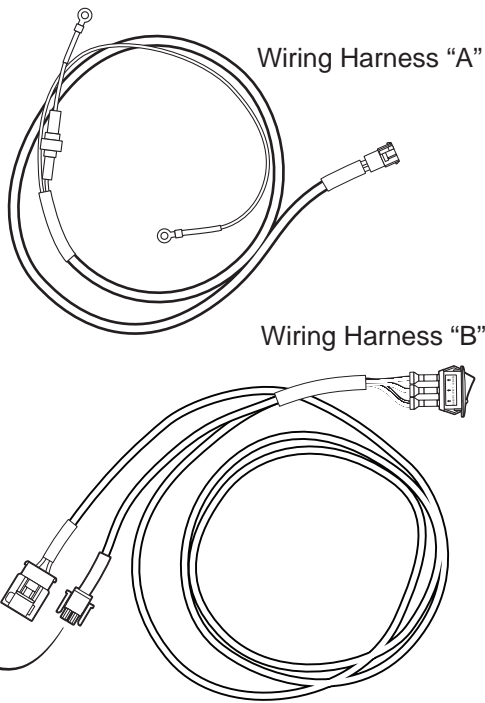
Hardware



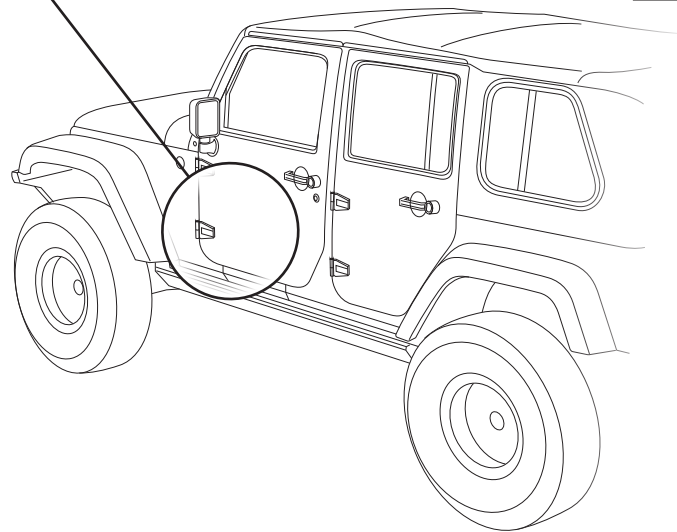
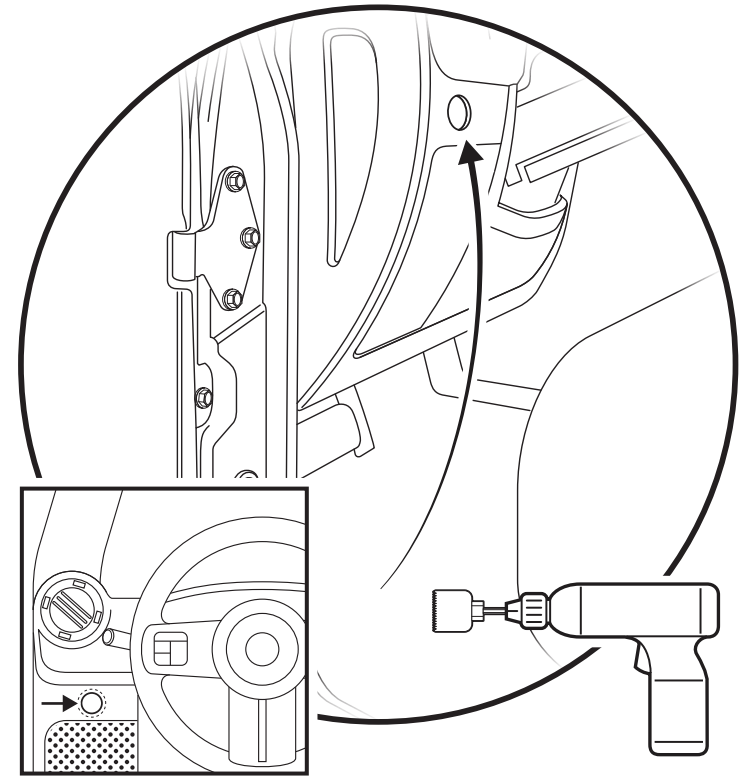
Step 1



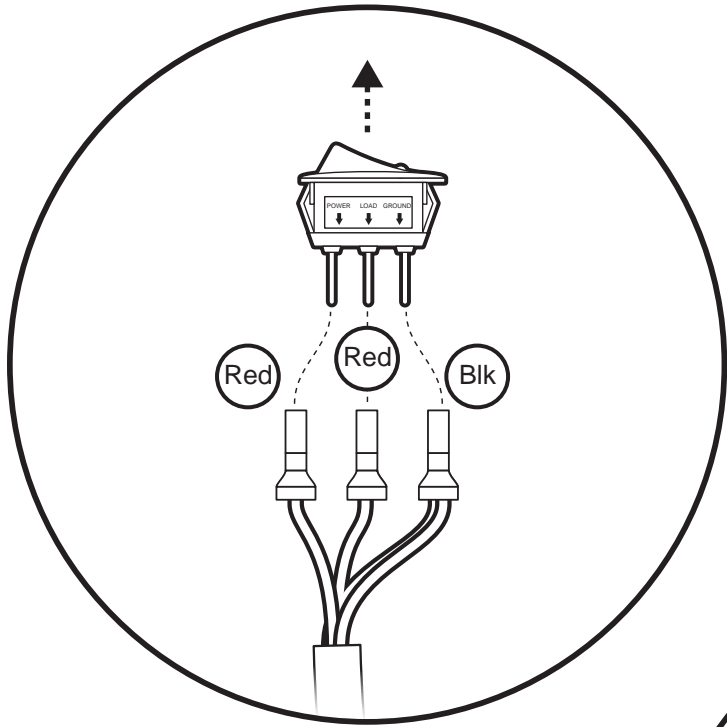
Hardware



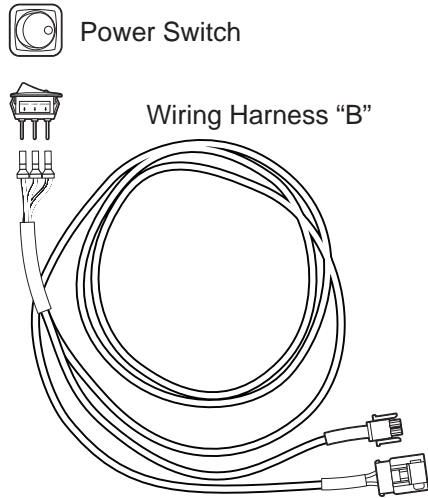
Step 2



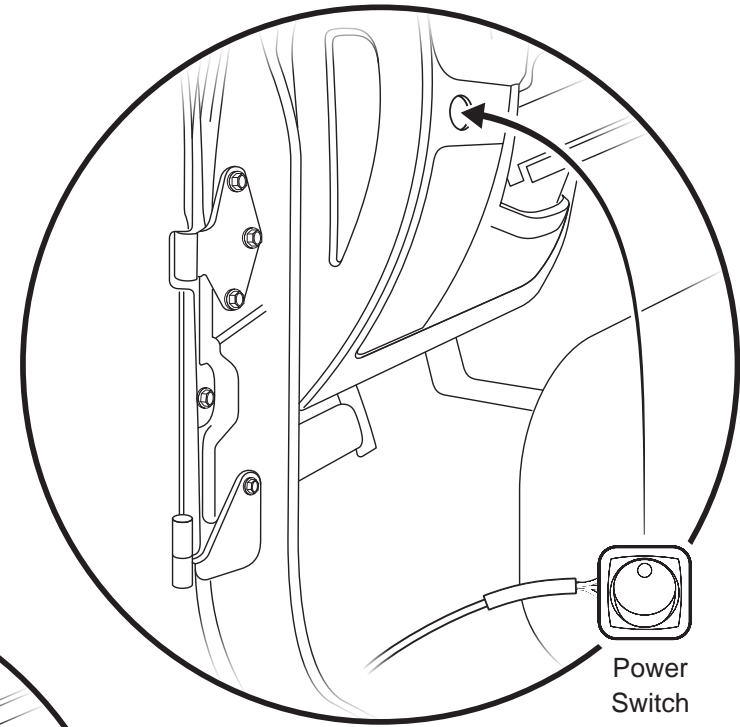
Step 1



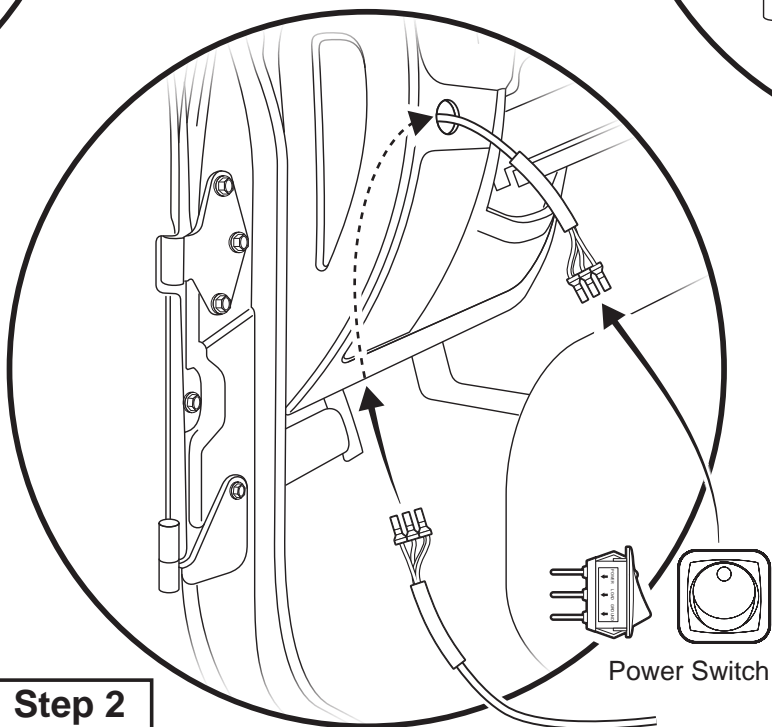
Hardware



Step 3



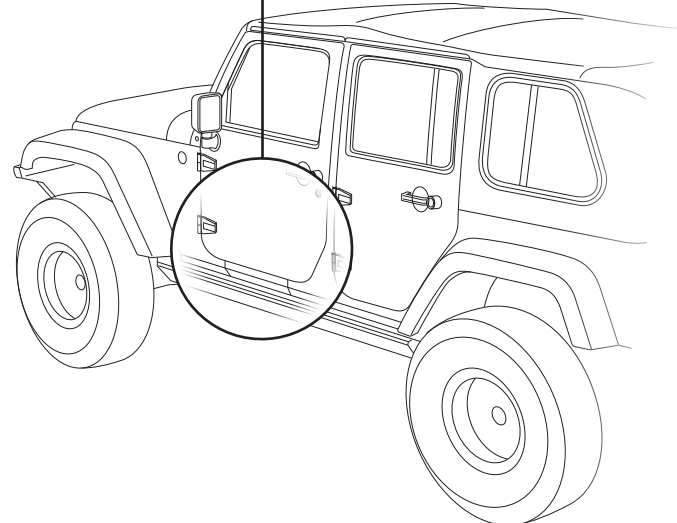
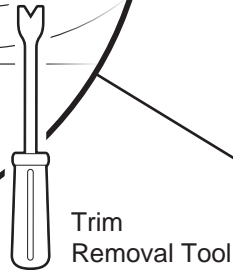
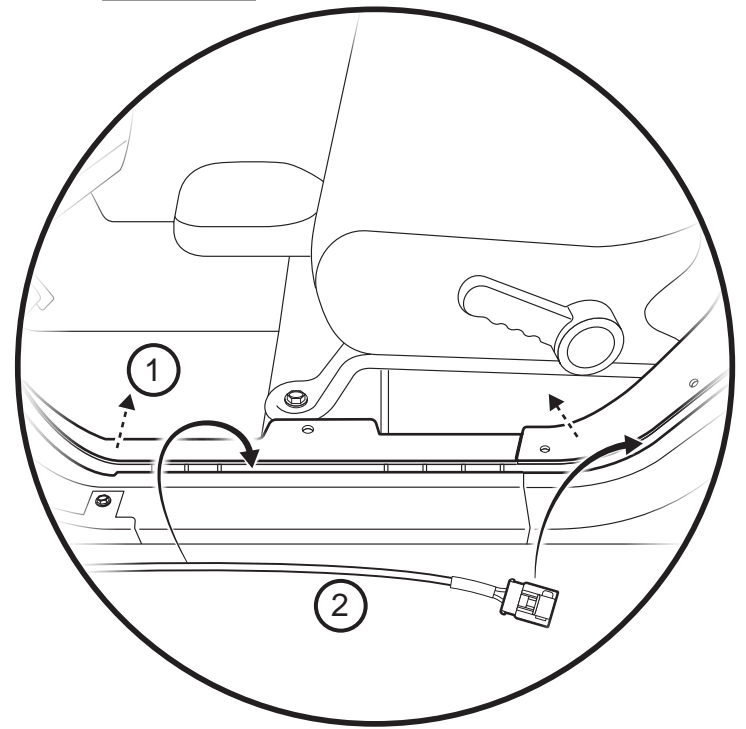
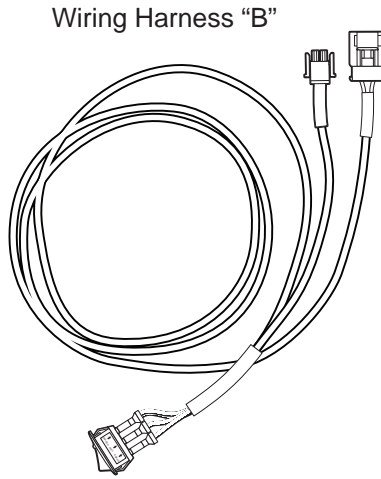
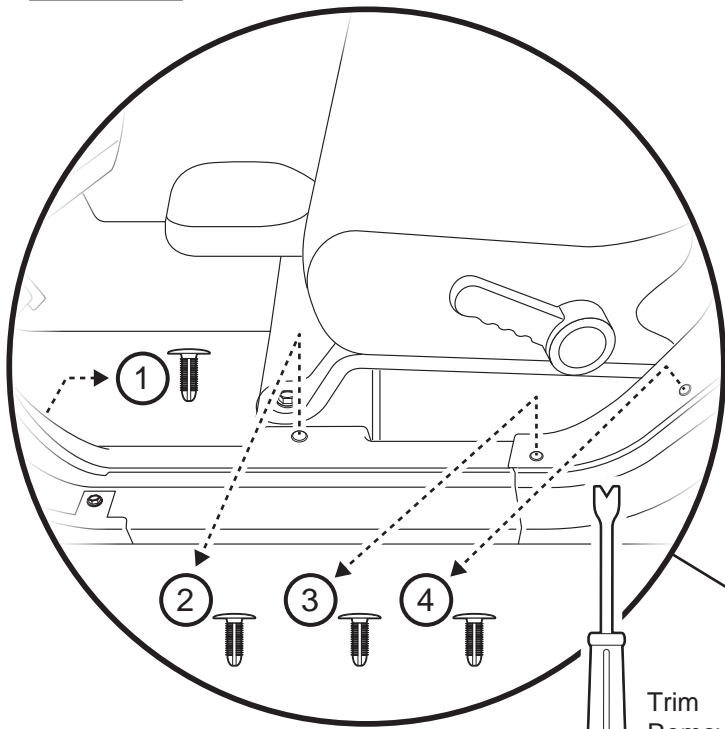
Step 2



Step 1

Hardware

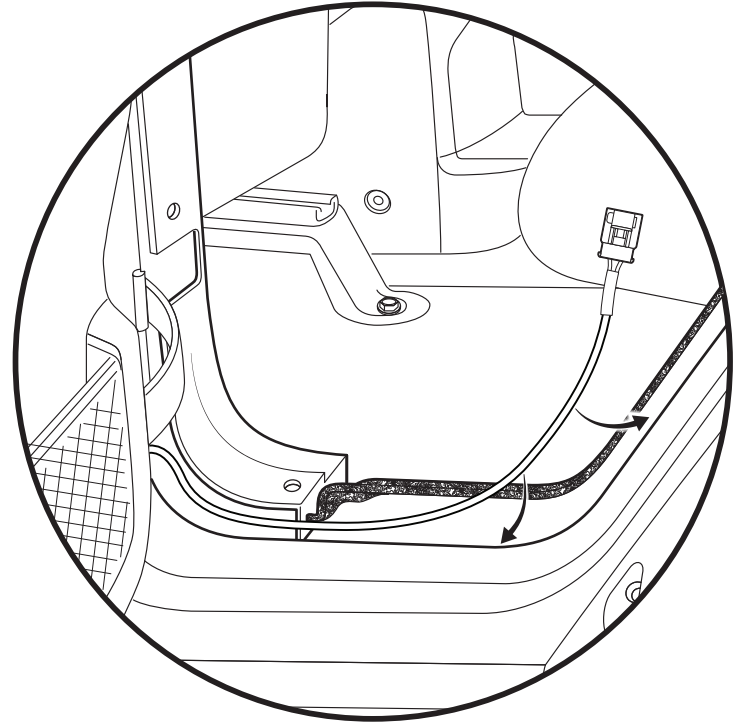
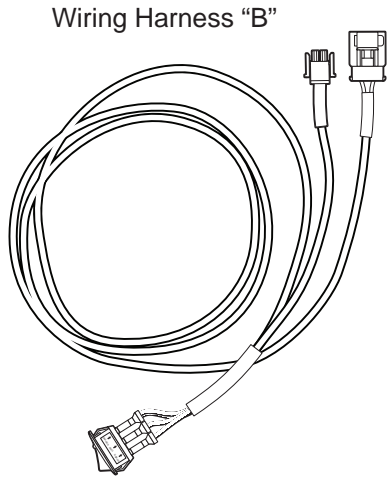
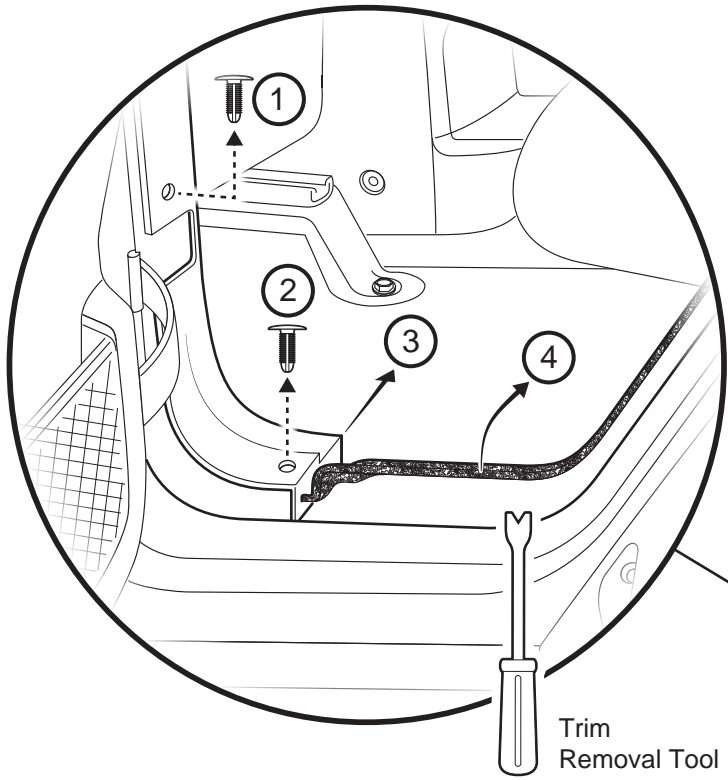
Step 2



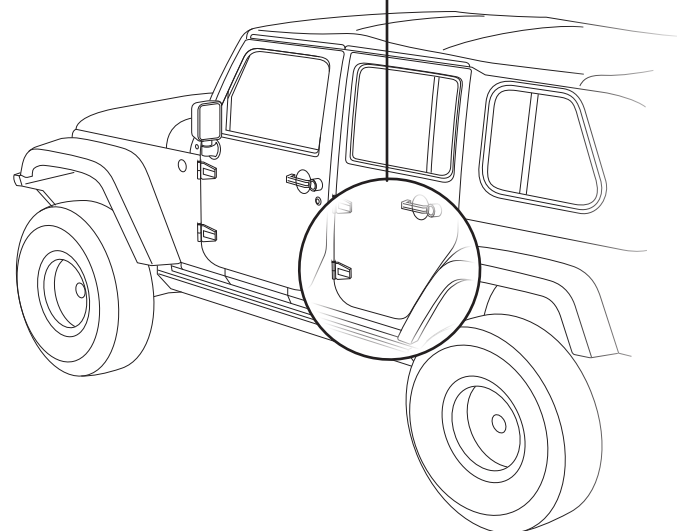
Step 1

Hardware

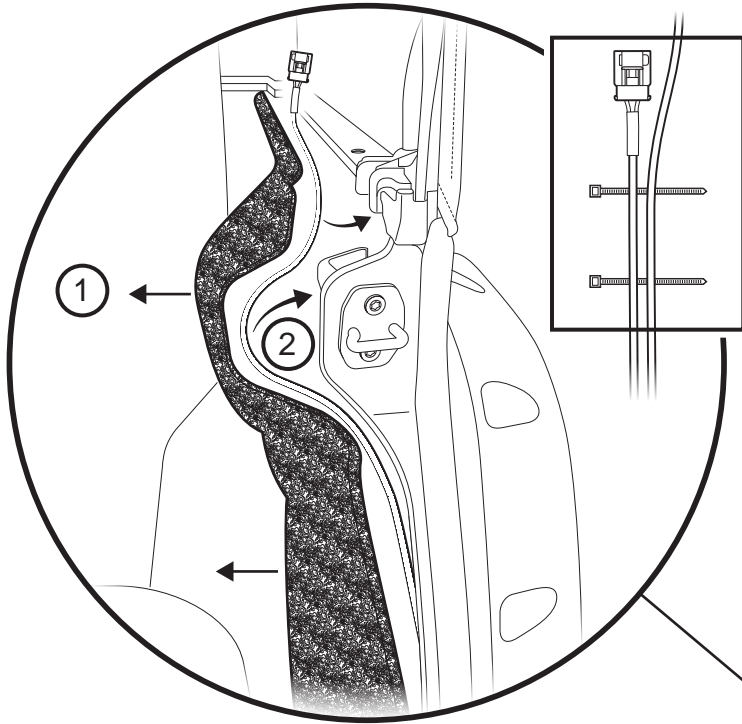
Step 2



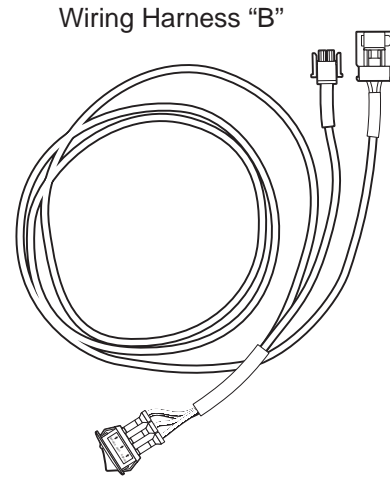
Trim Removal Tool



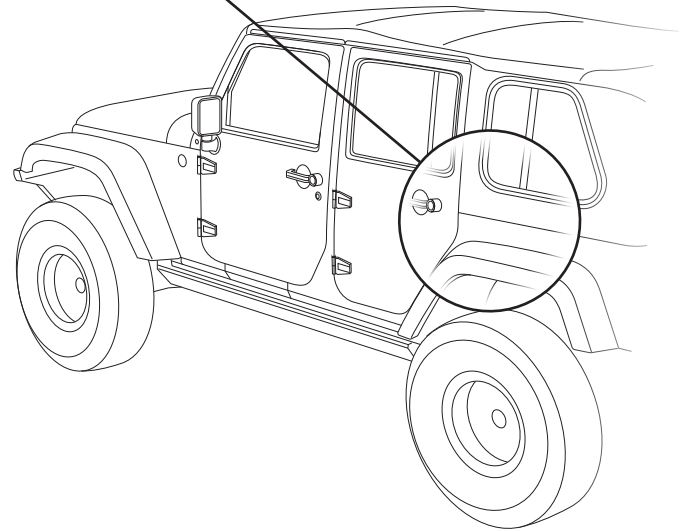
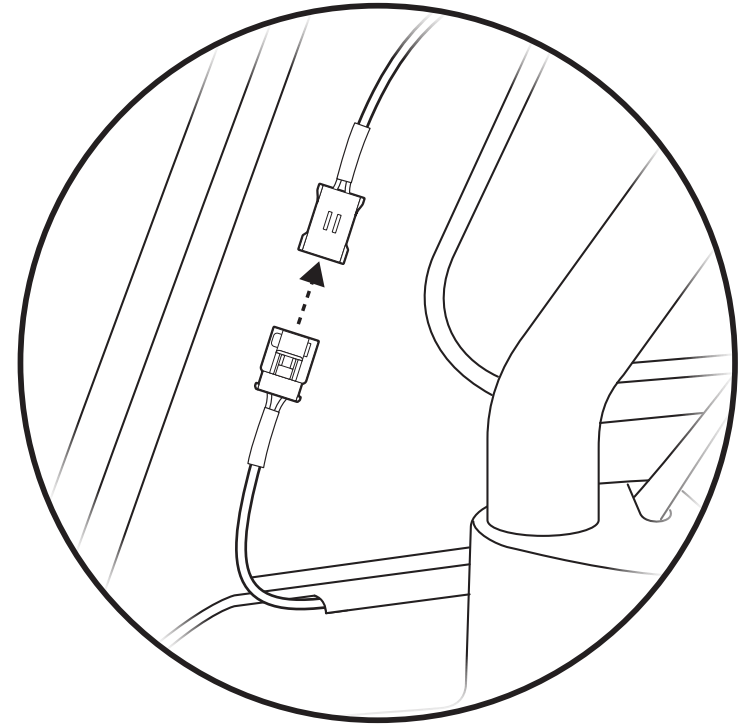
Step 1




Hardware



Step 2



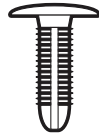
Failure to switch off the defrost grid when the vehicle key is turned off will cause the battery to drain.

 **CAUTION**

Step 1



Hardware



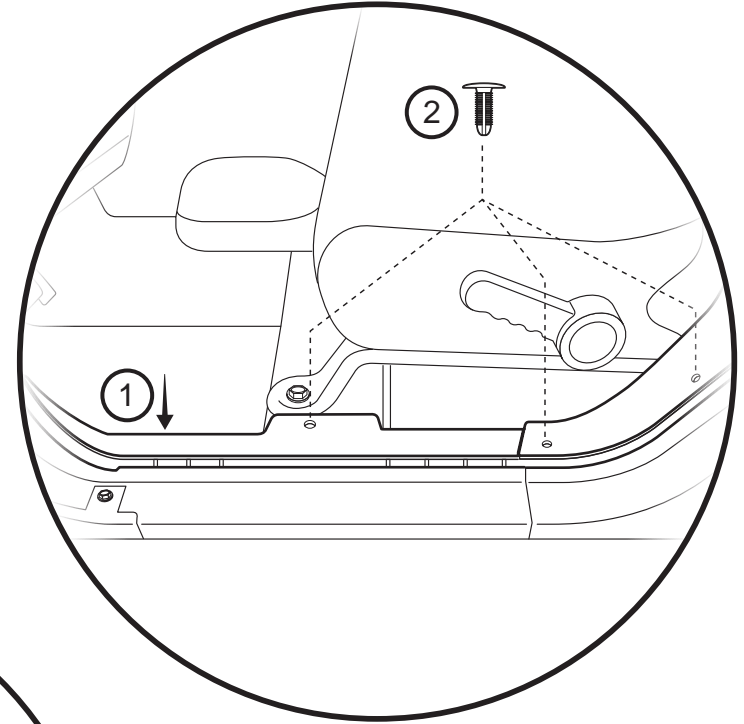
Qty. 4 - 6
Trim Fasteners
NOT INCLUDED

Failure to switch off the defrost grid when the vehicle key is turned off will cause the battery to drain.



CAUTION

Step 3



Step 2

