



## Upper Door Slider for Supertop

### Installation Instructions

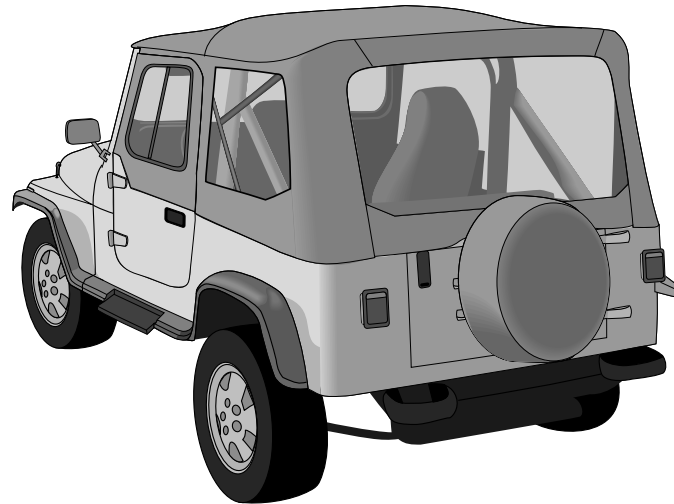
**For: 1988-1995 Wrangler with  
Steel Half Door**

**Part Number: 51786**



***DO NOT INSTALL THIS PRODUCT ON ANY VEHICLE OTHER THAN THOSE LISTED ABOVE.***

***Special Note:*** This door may be installed on 1986-1987 vehicles, however, the door retainer in Step Two must first be purchased from your dealer.  
*This door is not compatible with factory installed soft tops.*



### **WARNING**

This product is designed to enhance the appearance of the vehicle and to shield the occupants from ordinary weather conditions. Do not rely in any way on the components of this product to contain occupants within the vehicle, or to protect against injury or death in the event of an accident. This top will not protect the occupants from falling objects. Never operate vehicle in excess of manufacturer's specifications.

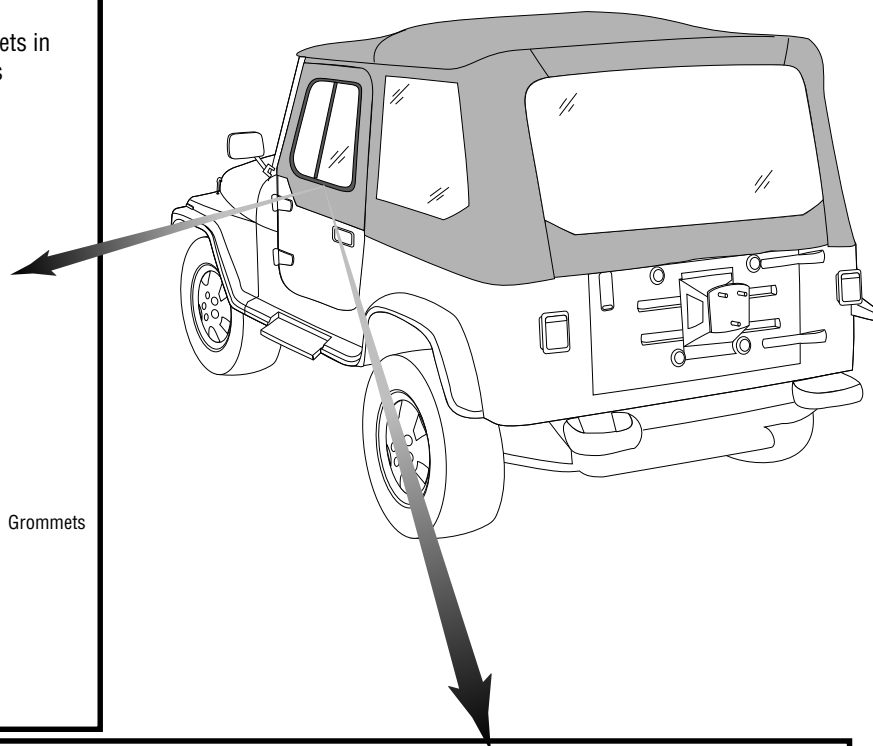
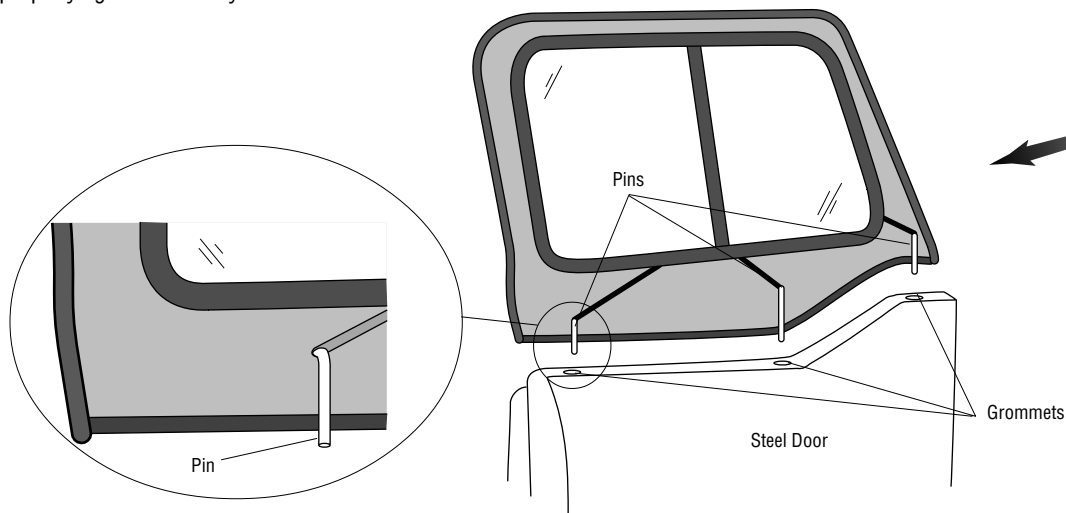
#### **WEAR SEAT BELTS AT ALL TIMES**

Read and follow, precisely, all installation instructions provided when installing this product. Failure to do so may result in a poor fit and could place occupants of the vehicle in a potentially dangerous situation. Failure to properly install or reinstall this product may cause the top or a component part to come off the vehicle, potentially causing an accident and possible injury to the occupants of the vehicle. After installing or reinstalling the product, check to make sure it has been properly installed.

## Step One

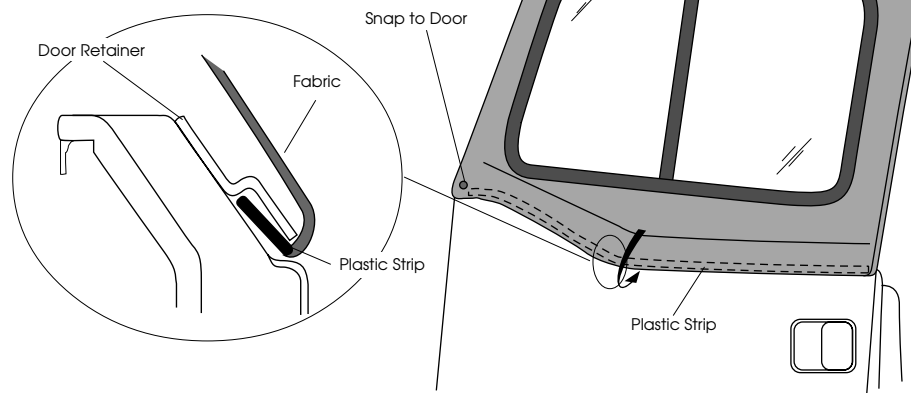
Remove the upper soft doors from your vehicle.

Installing the upper door into the lower steel door, start with the front pin and slip the pins into the sockets in the lower door. Make sure that the pins are well seated in the sockets. Close the door to check that it fits properly against the body.



## Step Two

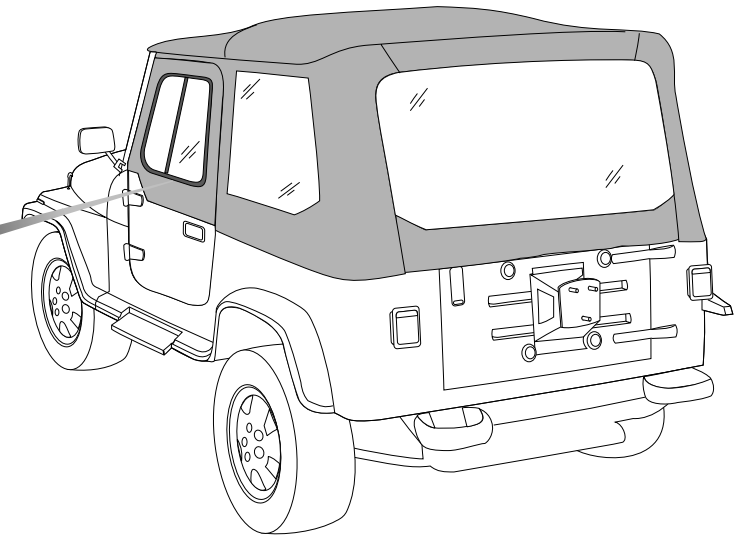
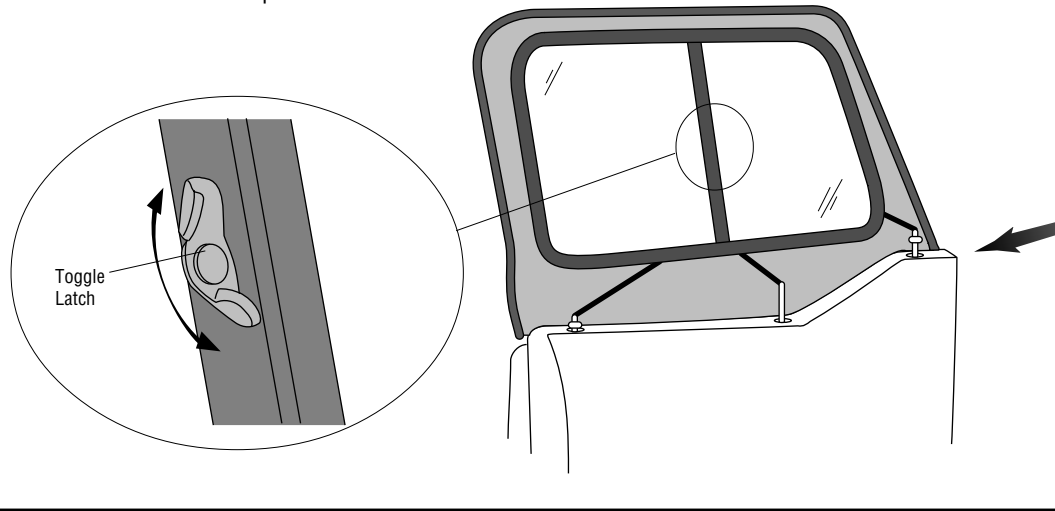
Slip the plastic strip on the bottom of the soft door into the Door Retainer on the steel door. Fasten the snap at front of upper door.



**Special Note:** This door may be installed on 1986-1987 vehicles, however, the door retainer in Step Two must first be purchased from your dealer.

### Step Three

To open the window, rotate the toggle latch until it is dis-engaged from the frame and slide the window open.



## ***Care and Maintenance of your Bestop Doors***

Your doors are made of the finest materials available. To keep them looking new and for the maximum possible wear, they will need periodic cleaning and maintenance.

**Washing:** The fabric should be washed often using soap, warm water and a soft bristle brush. Rinse with clear water to remove all traces of soap.

**Water:** Seeping through at the seams may be stopped by applying 3-M Scotchgard® on the inside of the seams. Rips in the fabric may be repaired with Bondex® iron on patches. Iron the patches to the Inside of the top, carefully following the Bondex® instructions.