







Installation Instructions

HighRock 4x4™ Replacement Mirrors

Vehicle Application:

- Jeep Wrangler
1987 – 2002
Part Number: 51262

INSTALLATION TIME	SKILL LEVEL
 1/2 Hour	 1 - Easy

TOOLS	
 Torx Wrench T27	 Safety Glasses



WARNING

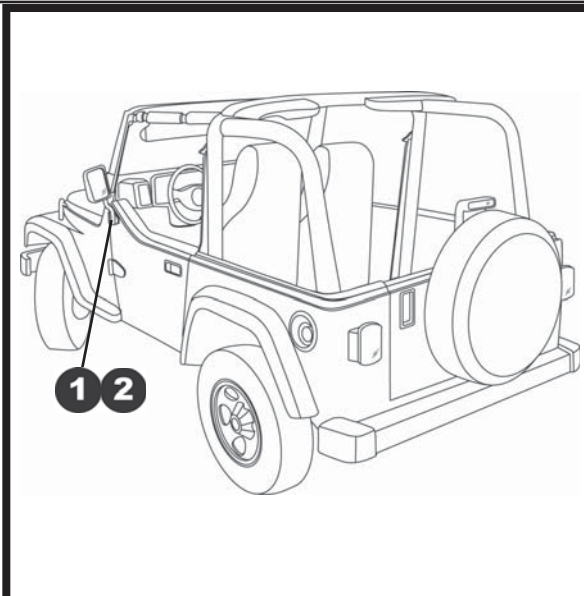
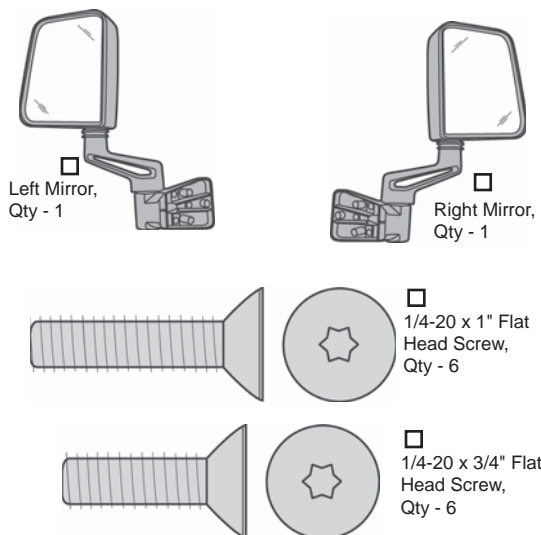
This product is designed primarily to enhance the appearance of the vehicle. Do not rely in any way on the components of this product to protect against injury or death in the event of an accident. Never operate the vehicle in excess of manufacturer's specifications.

WEAR SEAT BELTS AT ALL TIMES

Read and follow, precisely, all installation instructions provided when installing product. Failure to do so may result in a poor fit and could place occupants of the vehicle in a potentially dangerous situation.

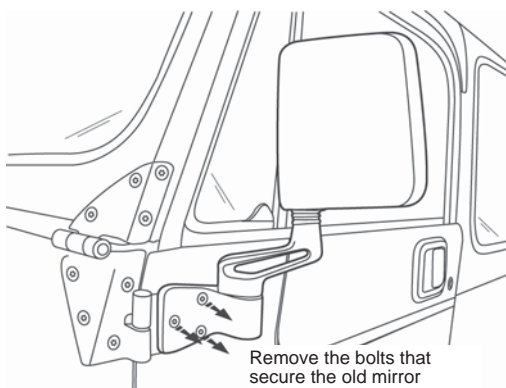
HighRock 4x4™ Replacement Mirrors Installation Instructions

Parts List



1 Remove Existing Mirrors

Use a T27 Torx driver to remove the three (3) bolts that secure each of the old mirrors to the door hinges. Set the bolts aside to install the HighRock 4x4™ Replacement Mirrors.



2 Install Mirrors

Install the HighRock 4x4™ Replacement Mirrors on the door hinges on each side of the vehicle with the screws that work best for your application.

NOTE Due to model year variations and installation options, use the longest screws that securely attach the mirror for your application.

- Full Doors
- Lower Half Doors
- Bestop Element Doors (With or Without Enclosure Panels)

NOTE 1987 Models Door hinges for 1987 Wranglers may require the top door hinge to be drilled and tapped. #1 size drill (.288) and 1/4"-20 tap.

