



# Installation Instructions Seat Cover, Rear Bench Kit

Vehicle Application:  
Wrangler 2-Door  
2007-2017  
Part Number 29282

## Installation Tips

Read and follow, precisely, all installation instructions provided when installing this product. Failure to do so may result in a poor fit, and could place occupants of the vehicle in a potentially dangerous situation.



### **WARNING**


To reduce the risk of accidental injury: Follow all vehicle Manufacturer's and Bestop® safety messages, application and installation instructions.

- If you remove the seat from the vehicle to install this product, please refer to the Owner's Manual to properly re-install the seat.
- Fit and maintain sides of seat cover as tight to seat as possible, always matching front to side seam of seat with similar panels and seams of seat cover.
- Do not use and replace if seat cover becomes damaged or wear no longer allows tight fit to seat sides.



### **WEAR SEAT BELTS AT ALL TIMES**

Tools	
	
Safety Glasses	
	<b>CAUTION</b> Safety glasses should be worn at all times when installing this product.

Installation Time
 1 Hour

Skill Level
<div style="display: flex; justify-content: space-around; align-items: center;"> <span style="border: 1px solid black; border-radius: 50%; padding: 5px 10px;">1</span> <span style="border: 2px solid black; border-radius: 50%; padding: 5px 10px;">2</span> <span style="border: 1px solid black; border-radius: 50%; padding: 5px 10px;">3</span> <span style="border: 1px solid black; border-radius: 50%; padding: 5px 10px;">4</span> </div> <p>2 - Moderately Difficult</p>

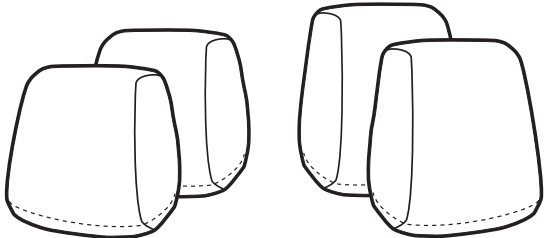
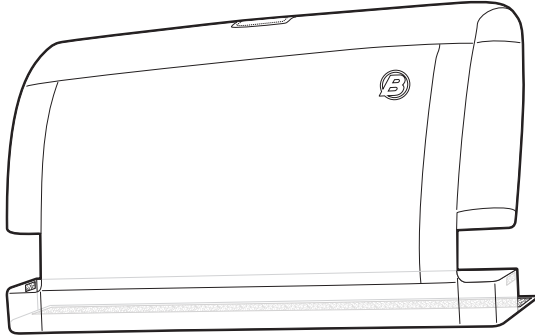
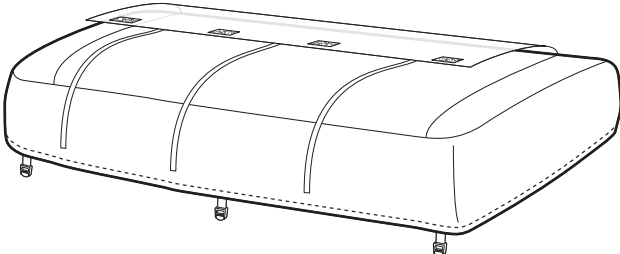


# Installation Instructions Seat Cover, Rear Bench Kit

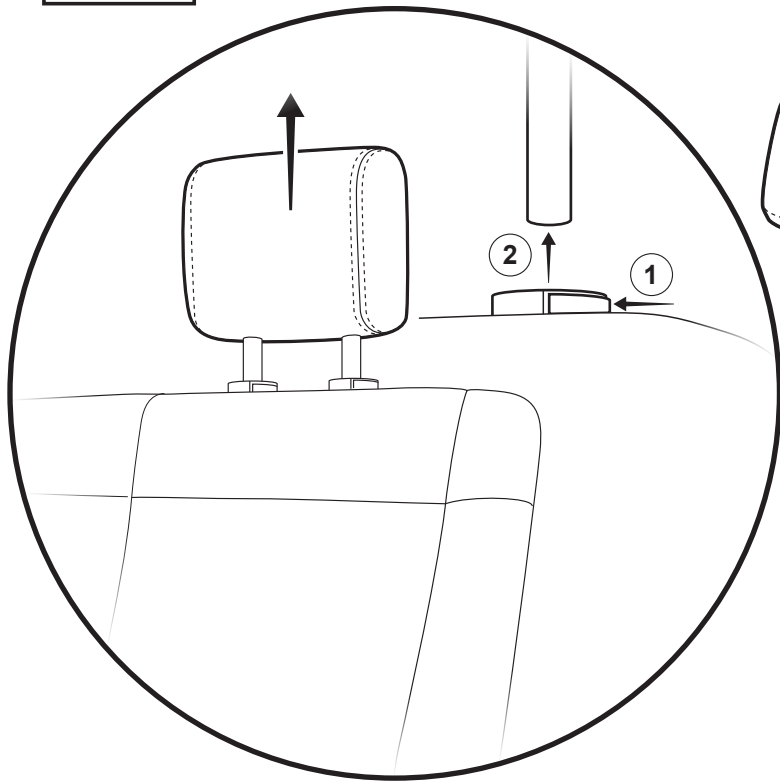
Vehicle Application:  
Wrangler 2-Door  
2007-2017  
Part Number 29282

## Parts List

- Required parts for each installation section - Page number in Installation Guide

Section 1	Headrest Covers	Page 3	Section 2	Seatback Cover	Pages 4-7
 <p data-bbox="317 667 457 727">2007-2010 Vinyl Covers</p> <p data-bbox="531 678 583 711"><b>OR</b></p> <p data-bbox="661 667 802 727">2011-2017 Cloth Covers</p> <p data-bbox="468 850 651 911">Headrest Covers Qty. 2 sets of 2</p>			 <p data-bbox="1404 846 1581 906">Seatback Cover Qty. 1</p>		
Section 3	Seat Bottom Cover		Pages 6-8		
 <p data-bbox="877 1417 1085 1477">Seat-Bottom Cover Qty. 1</p>					

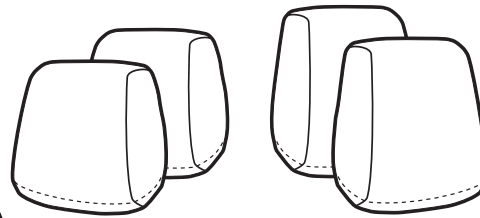
**Step 1**



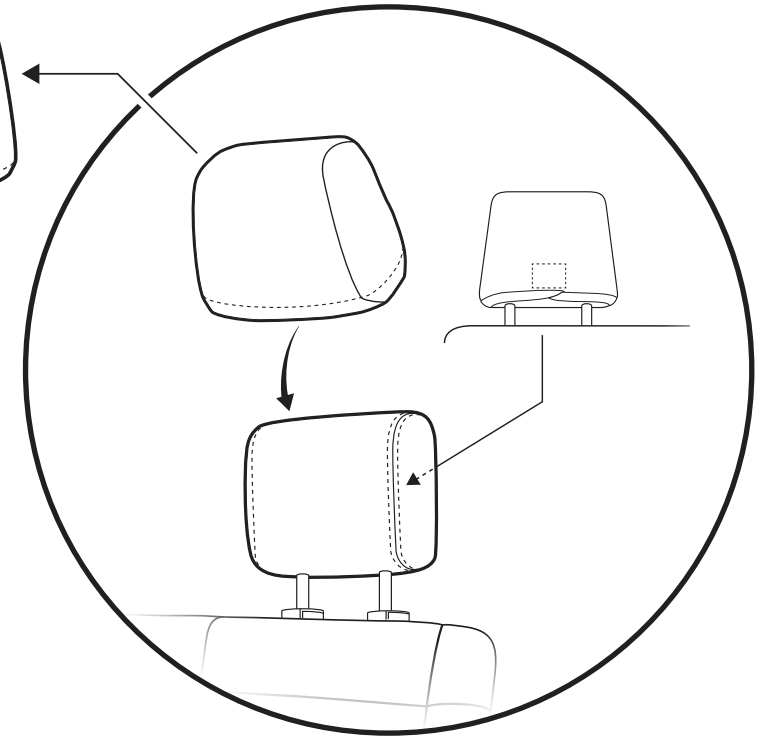
**Step 1**

Remove the headrests from the seatback by pushing in on the release buttons supporting the headrest shafts and lifting up on the headrests.

**Step 2**



Use the headrest covers labeled to match your vehicle's headrest material.



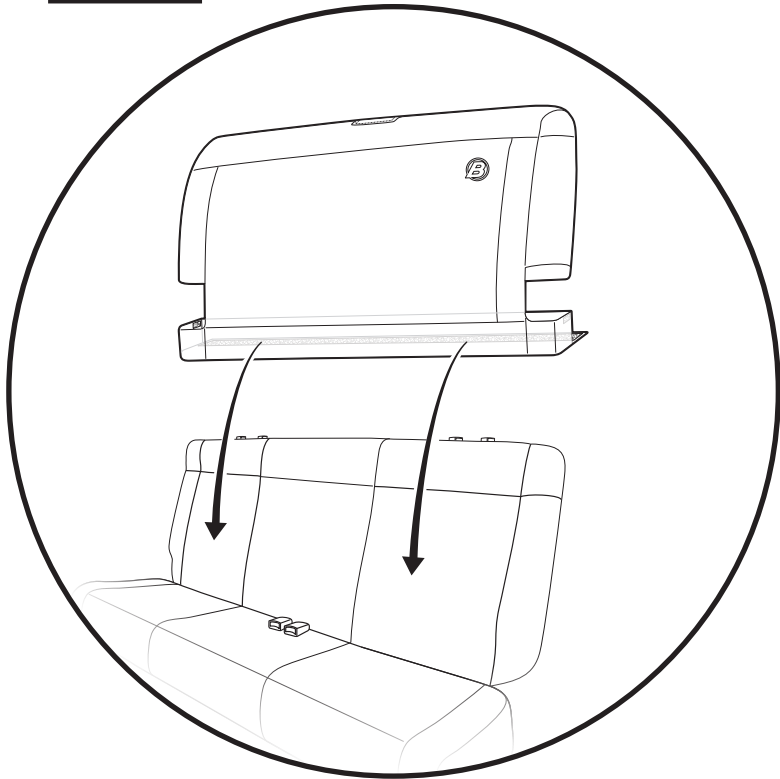
**Step 2**

Select the correct headrest covers from the 4 headrest covers that come in the installation kit. Use the headrest covers labeled to match your vehicle's headrest material.

Wrap the headrest covers over the headrests, making sure that the crossed elastic edging and internal label are at the back of each headrest. Adjust the seams for a smoother appearance.

Set headrests aside - do not reinstall at this time.

Step 1



Step 1

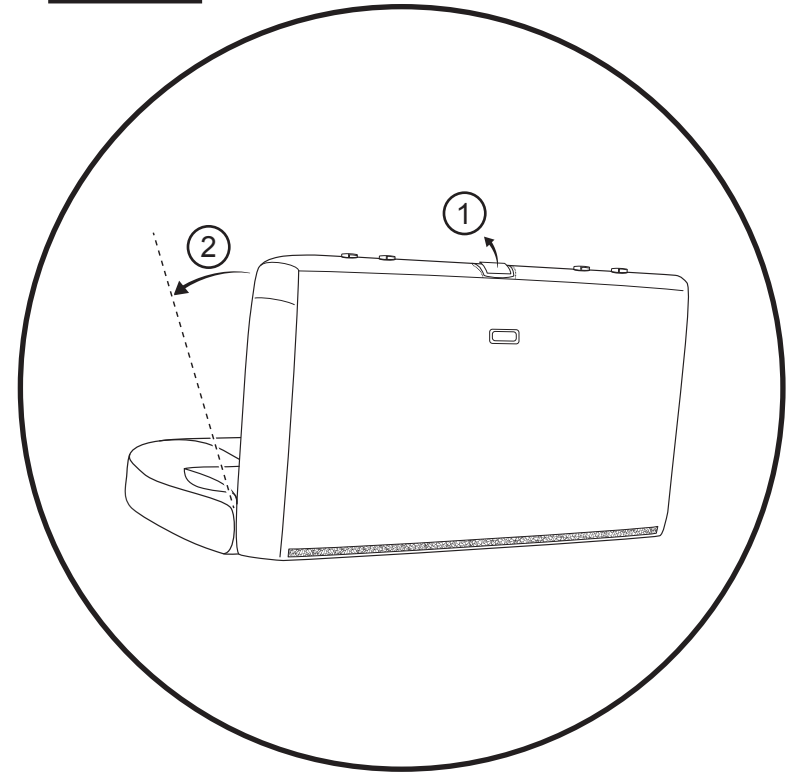
Slip the seatback cover over the seatback.

Carefully stretch and tuck the seat cover fabric around and under the headrest release buttons on both sides of the seat.

Make sure that the seatback tilt release latch is centered in the cutout area for it.

Lay the flap at the bottom of the seatback cover on the top of the seat bottom.

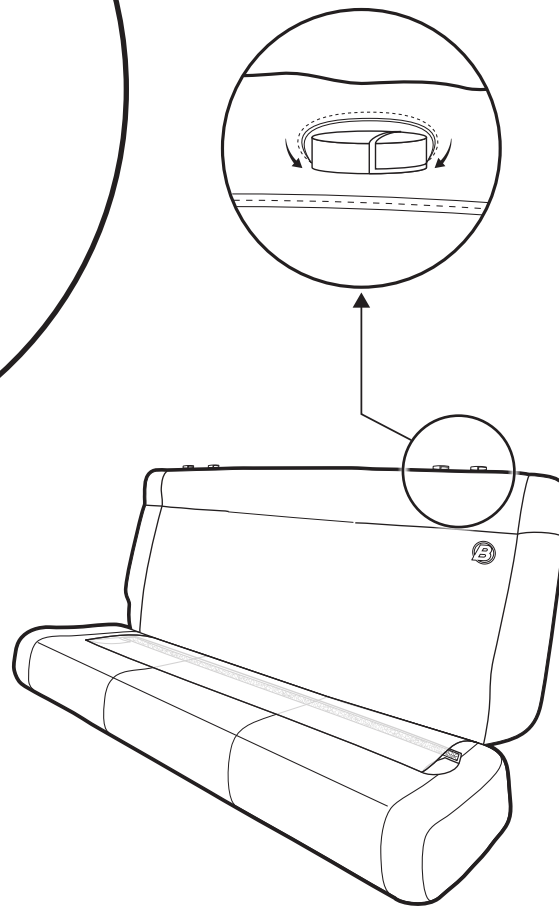
Step 2

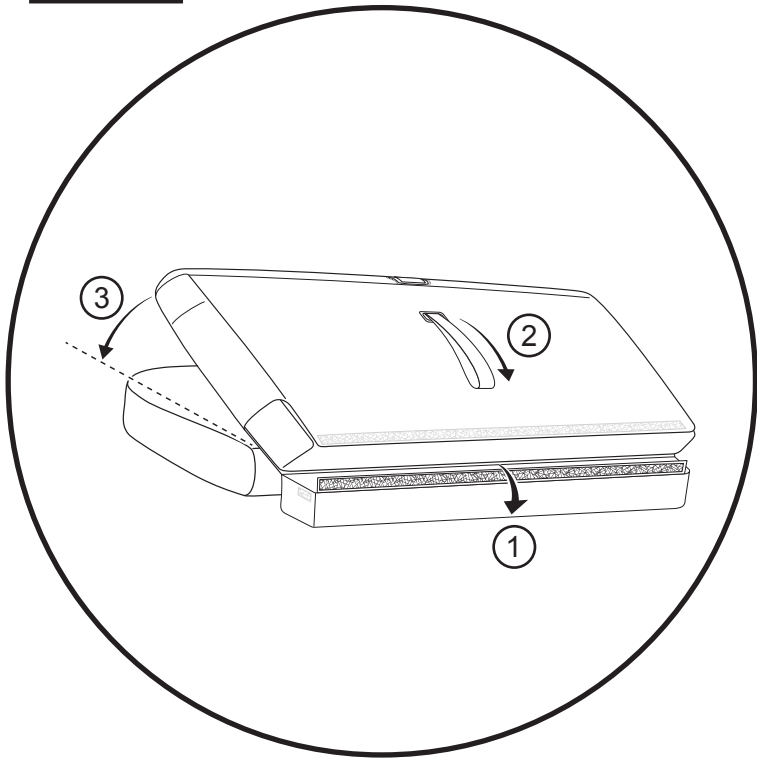


Step 2

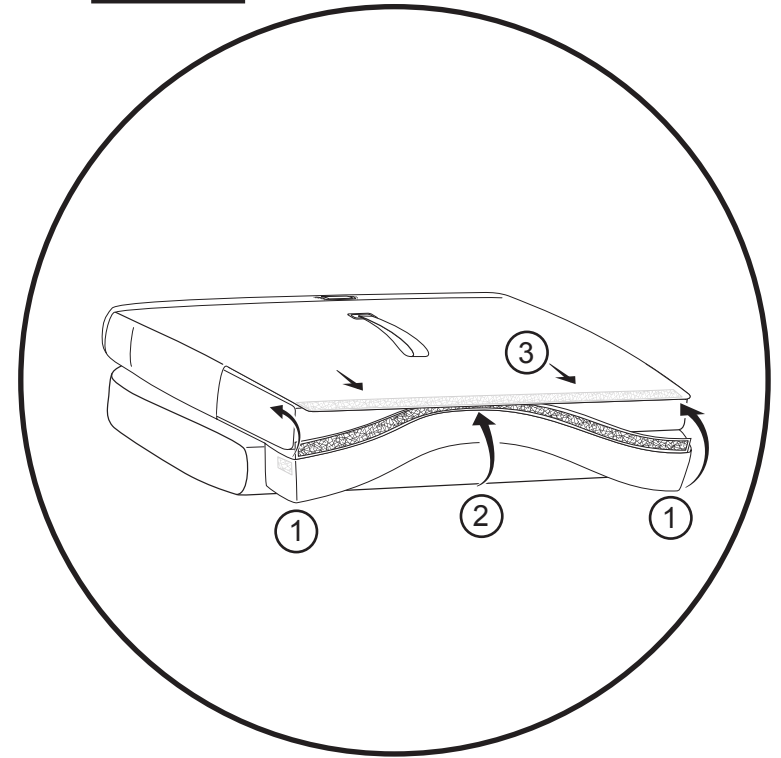
① Lift the seatback tilt release latch on top of the seat to allow the seatback to tilt forward.

② Tilt the seatback forward about halfway, which will create a space between the seatback and seat bottom.

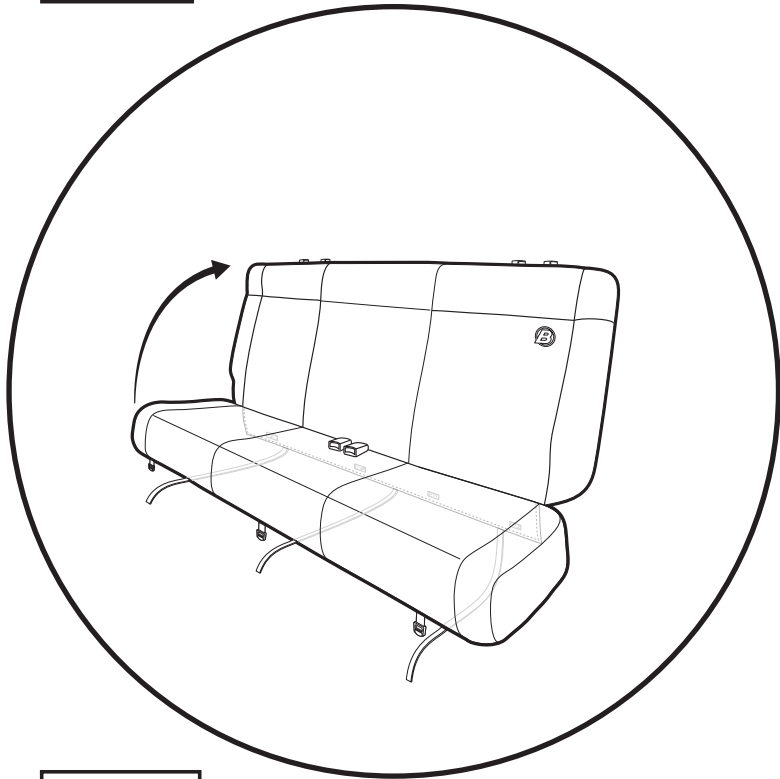


**Step 1****Step 1**

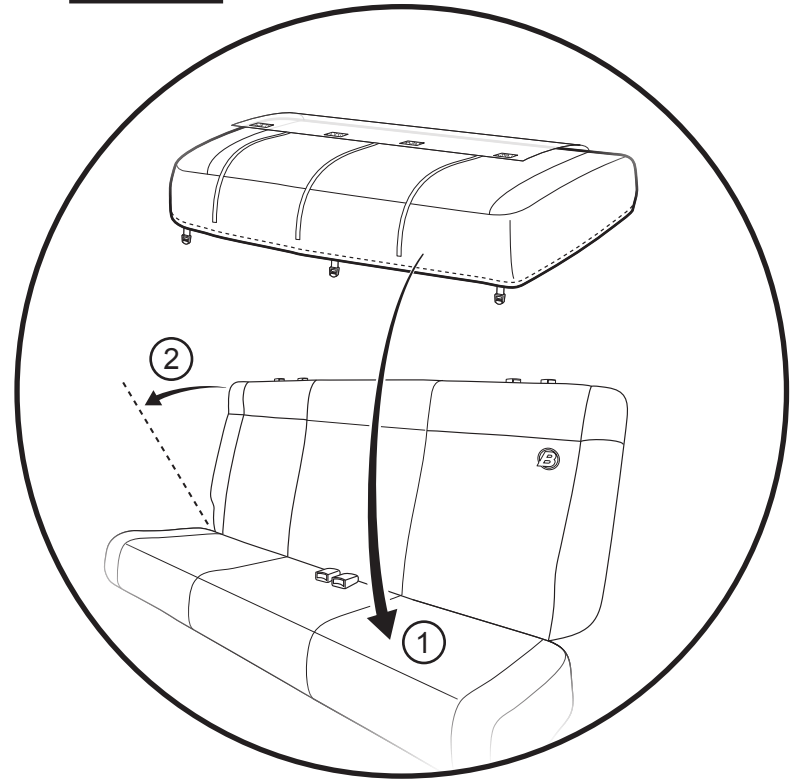
- ① Bring the fabric flap through the gap between the seatback and seat bottom.
- ② Feed the seatback tumble strap through the cutout in the seat cover.
- ③ Tilt the seatback all the way forward.

**Step 2****Step 2**

- ① With the seatback tilted all the way forward, attach the small hook-&-loop tabs in each corner to the carpeted area at each corner of the seatback.
- ② Pull the bottom of the seat cover over the hook-&-loop strip on the outside of the flap, starting in the middle and working to the outside on each side of the seat.
- ③ While pulling down on the seatback fabric and pulling up on the flap, tighten the cover, snugging the hook-&-loop tighter from the middle to the sides.

**Step 1****Step 1**

Flip the seatback into upright position.

**Step 2****Step 2**

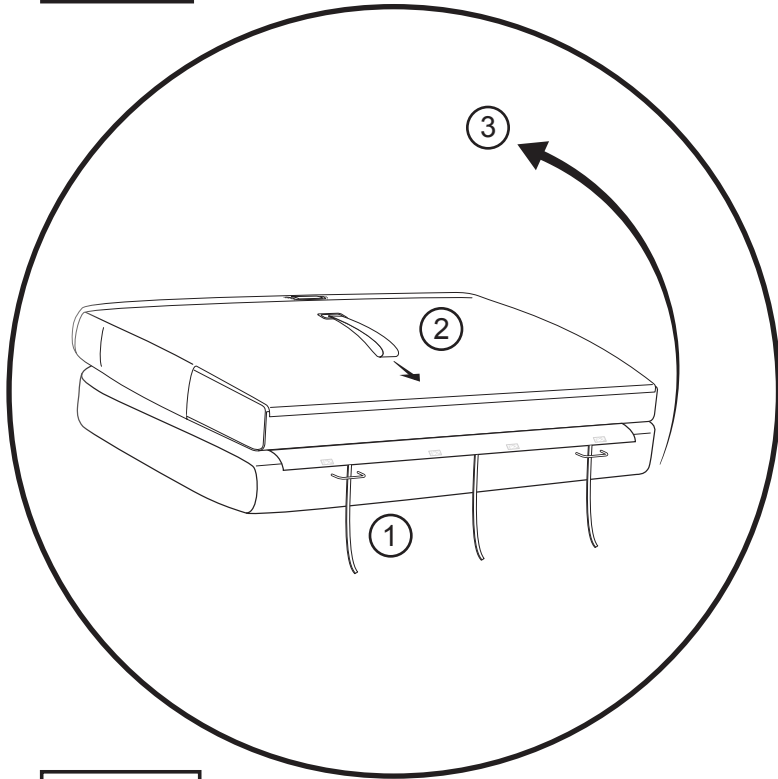
- ① Slip the seat-bottom cover over the seat-bottom.

Make sure the child seat attachment rings and seatbelt latches are slipped through the correct holes in the cover.

- ② With the seatback tilted about halfway forward, feed the flap and straps through the seatback and seat bottom.

Let the seatback fall all the way to flat.

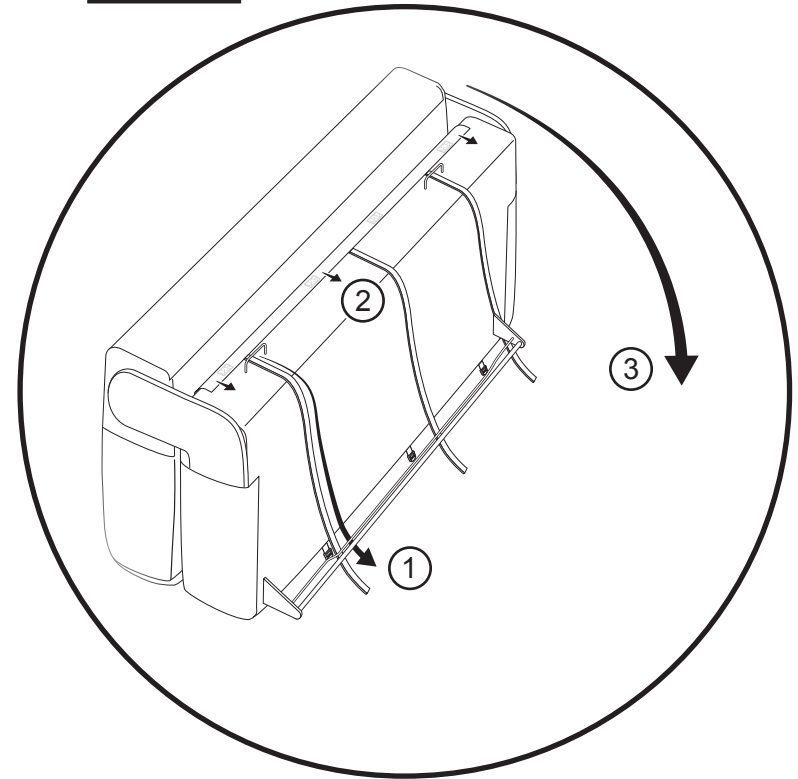
**Step 1**



**Step 1**

- ① With the seatback flat, thread the two outside straps through the metal loops on the seat bottom.
- ② Pull the seat tumble strap and;
- ③ lift the whole seat assembly up and forward, until it is vertical.

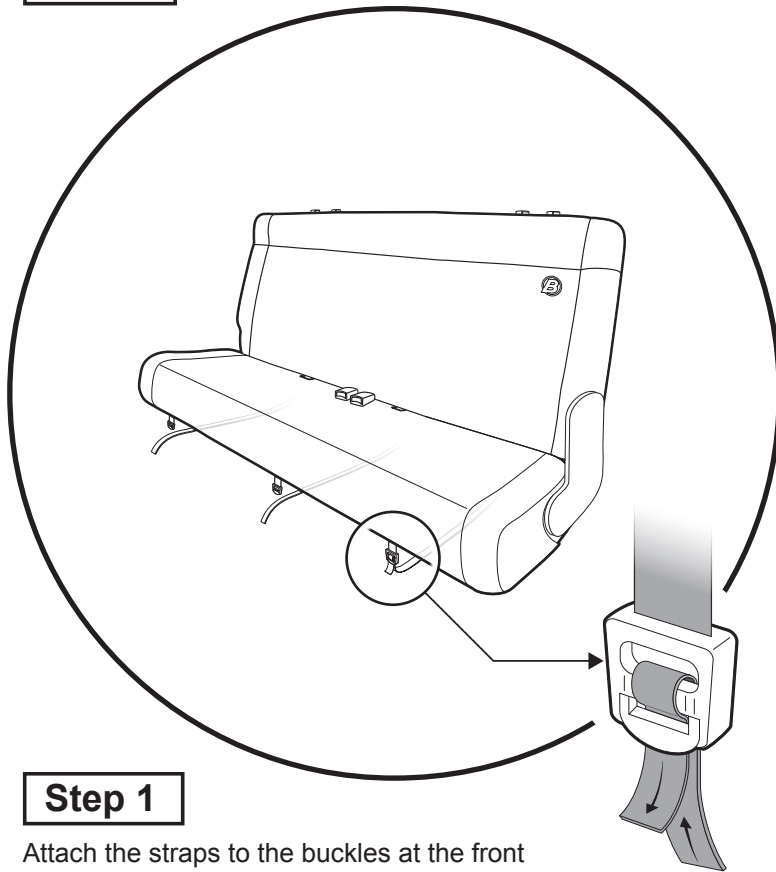
**Step 2**



**Step 2**

- ① With the seat assembly standing up, make sure the straps are threaded through the two metal loops on each side of the underside of the seat, and also in between the seat bottom and the two metal rods at the front of the seat.
- ② Pull on the flap and attach the hook-&-loop tabs on the underside to the carpeted area of the seat bottom. Snug the fit by working across from side-to-side.
- ③ Tilt the seat assembly back down into place.

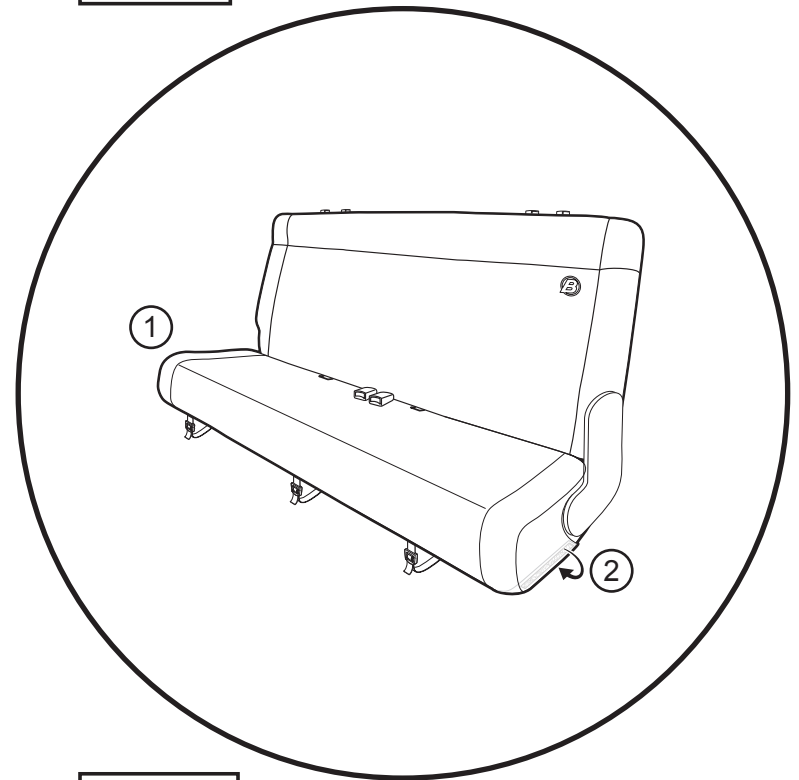
**Step 1**



**Step 1**

Attach the straps to the buckles at the front bottom edge of the seat bottom cover, and pull to tighten moderately.

**Step 2**



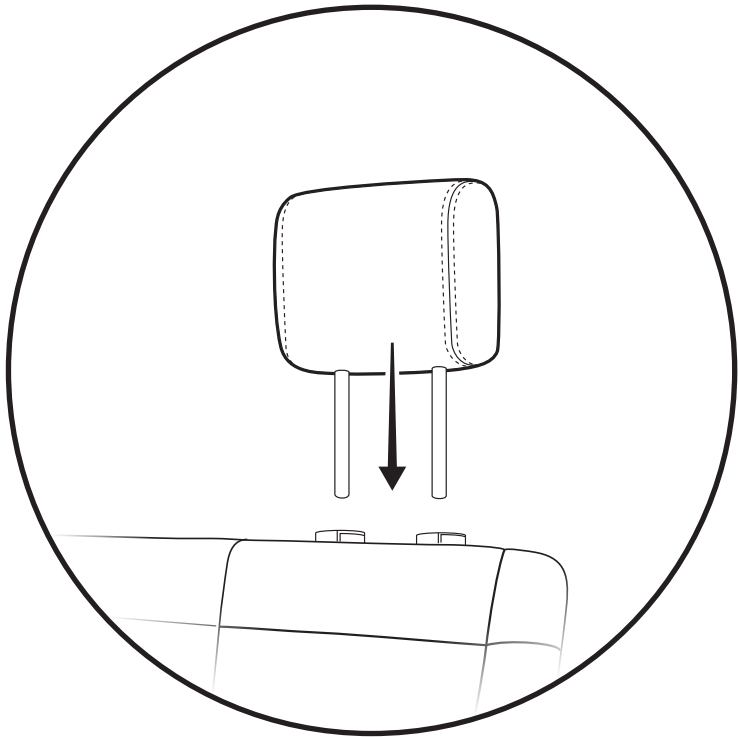
**Step 2**

Smooth any wrinkles in the fabric by snugging the fabric on the ① left and ② right sides of the seat bottom cover. Pull on the fabric and attach the hook-&-loop strips on the inside of the fabric to the carpeted area of the seat.

You may need to make additional adjustments to the tightness of the flap at the bottom of the seat in the back to smooth wrinkles.



**Step 1**



**Step 1**

Replace both headrests.



## Installation Instructions Seat Cover, Rear Bench Kit

Vehicle Application:  
Wrangler 2-Door  
2007-2017  
Part Number 29282

---

### WASHING:

Your seat covers are machine washable. Wash separately in COLD water with 1/4 of normal amount of soap. Hang Dry.

### LIMITED WARRANTY

We warrant our product to be free from defects in material and workmanship, for the terms specified below, provided there has been normal use and proper maintenance. This warranty applies to the original purchaser only. All remedies under this warranty are limited to the repair or replacement of any item or items found by the factory to be defective within the time period specified.

If you have a warranty claim, first you must call our factory at the number below for instructions. You must retain proof of purchase and submit a copy with any items returned for warranty work. Upon completion of warranty work, if any, we will return the repaired or replaced item or items to you freight prepaid. Damage to our products caused by accidents, fire, vandalism, negligence, misinstallation, misuse, Acts of God, or by defective parts not manufactured by us, is not covered under this warranty.

THE WARRANTY TIME PERIOD IS AS FOLLOWS: ALL "SOFT GOODS" MANUFACTURED BY OUR COMPANY (USING PRIMARILY VINYLs, PLASTICS, AND/OR FOAM): ONE YEAR FROM DATE OF PURCHASE.

ANY IMPLIED WARRANTIES OF MERCHANTABILITY AND/OR FITNESS FOR A PARTICULAR PURPOSE CREATED HEREBY ARE LIMITED IN DURATION TO THE SAME DURATION AND SCOPE AS THE EXPRESS WRITTEN WARRANTY. OUR COMPANY SHALL NOT BE LIABLE FOR ANY INCIDENTAL OR CONSEQUENTIAL DAMAGE.

Some states do not allow limitations on how long an implied warranty lasts, or the exclusion or limitation of incidental or consequential damages, so the above limitations or exclusions may not apply to you.

This warranty gives you specific legal rights, and you may also have other rights which vary from state to state.