



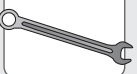



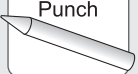
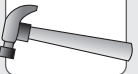


# Installation Instructions Tailgate Rack Bracket


## Application:


- Jeep Wrangler  
1986 – Current  
Part Number: 41411

INSTALLATION TIME	SKILL LEVEL
 <b>45 Minutes</b>	 <b>2 - Moderately Easy</b>

TOOLS		
 Wrench 10mm, 12mm, 9/16", 7/16", 1/2"	 Torx Wrench T-30	 Safety Glasses
 Power Drill 7/16" Bit	 Center Punch	 Hammer



 **CAUTION** Safety glasses should be worn at all times while installing this product.

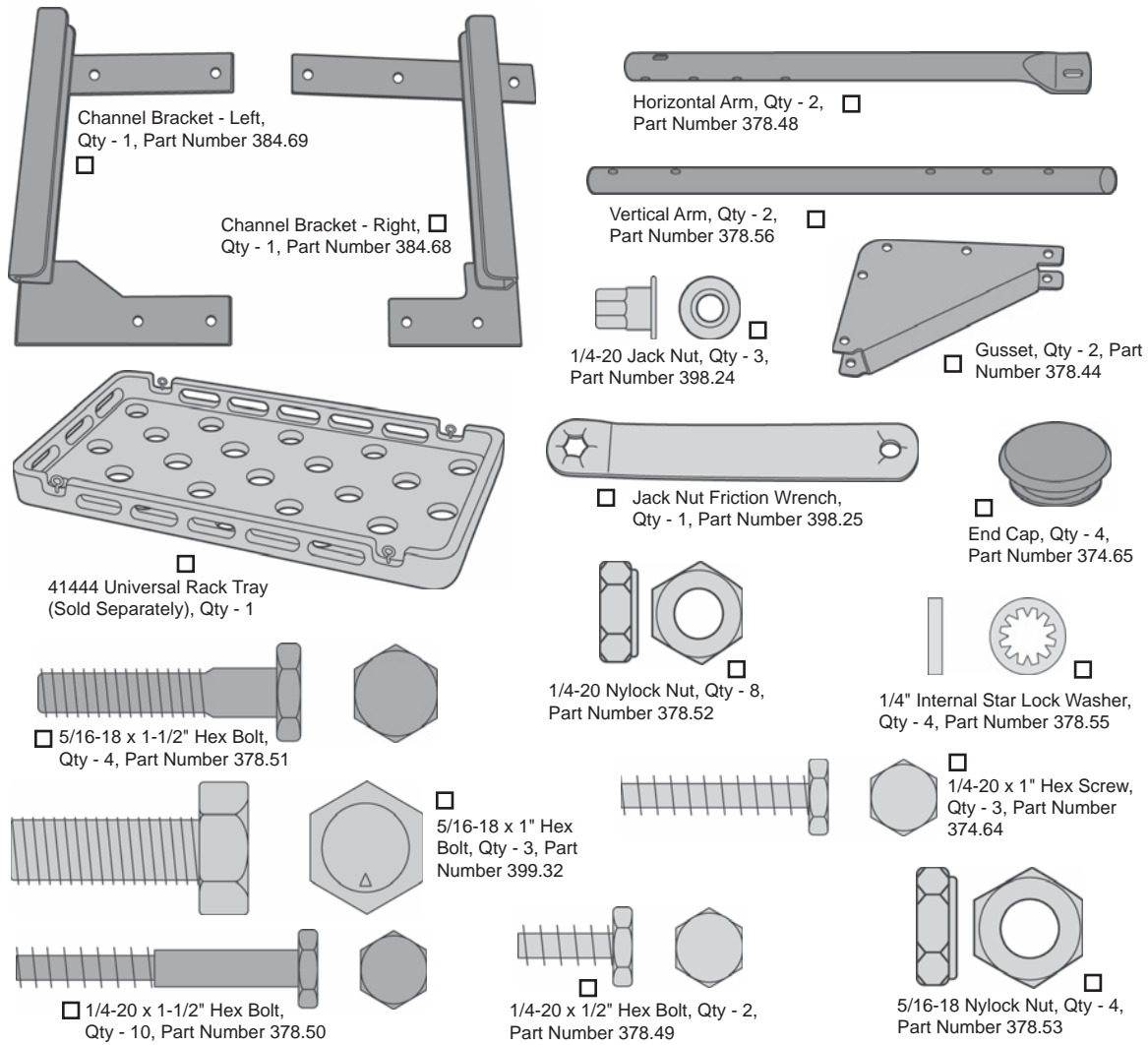
 **WARNING** This product is designed primarily to enhance the appearance of the vehicle and to shield the occupants from ordinary weather conditions. Do not rely in any way on the components of this product to contain occupants within the vehicle, or to protect against injury or death in the event of an accident. This product will not protect the occupants from falling objects. Never operate the vehicle in excess of manufacturer's specifications.

### WEAR SEAT BELTS AT ALL TIMES

Read and follow, precisely, all installation instructions provided when installing product. Failure to do so may result in a poor fit and could place occupants of the vehicle in a potentially dangerous situation.

# Tailgate Rack Bracket Installation Instructions

## Parts List and Hardware Identification



## 1 Remove Spare Tire and Tire Carrier

Remove the spare tire from the vehicle.

If you have a factory tire carrier, use a T30 Torx to remove the rubber bumpers on the tailgate. Save the fasteners to be used to install the rack.

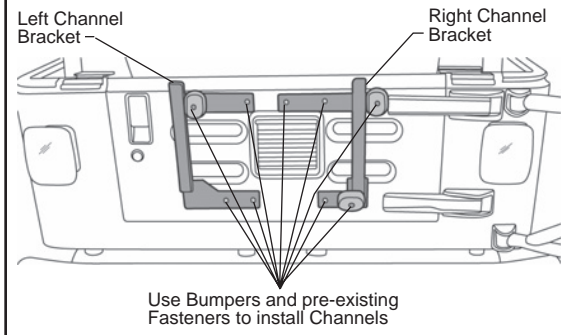
If you no longer have the original bolts from the factory tire carrier, use the three 5/16-18 x 1" Hex Bolts in the parts kit.

If you have a Bestop Tire Carrier, remove the tire carrier hinges, brake light bracket and any bumpers on the tailgate. Save the fasteners to be used to install the rack.

## 2 2002 and Older Vehicles with Factory Tire Carrier Install Channel Brackets

Locate the Left and Right Channel Brackets in the parts kit. Orient the brackets on the tailgate and use the bumpers and fasteners removed in Step One to install the brackets on the vehicle.

Reinstall the spare tire.



## Tailgate Rack Bracket Installation Instructions

### 2 2003 and Newer Vehicles with Factory Tire Carrier Install Channel Brackets

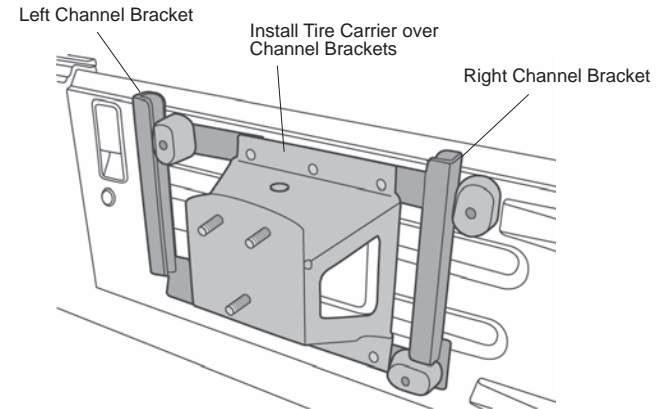
2003 and newer vehicle owners will have to drill holes in the tailgate at the locations of the lower outboard mounting holes in the Channel Brackets. Orient the brackets on the vehicle aligning the holes in the brackets with the existing holes in the tailgate. Use the brackets as templates to mark the locations of the lower outboard holes. Center punch and drill a 7/16" hole at each location.

Insert a 1/4-20 Jack Nut in the hole. Hold the Friction Wrench over the Jack Nut with the bumps on the wrench against the nut. Insert a 1/4-20 x 1" Hex Bolt through the wrench into the nut. Tighten the bolt until the nut is pulled tight against the back side of the tailgate. Remove the bolt and wrench. Repeat this with both holes.

Use the 1/4-20 x 1" Hex Bolts that were used to install the Jack Nuts to secure the Channel Brackets to the Jack Nuts.

Use the bumpers and fasteners removed in Step One to re-install the Tire Carrier on top of the Channel Brackets.

Reinstall the spare tire.



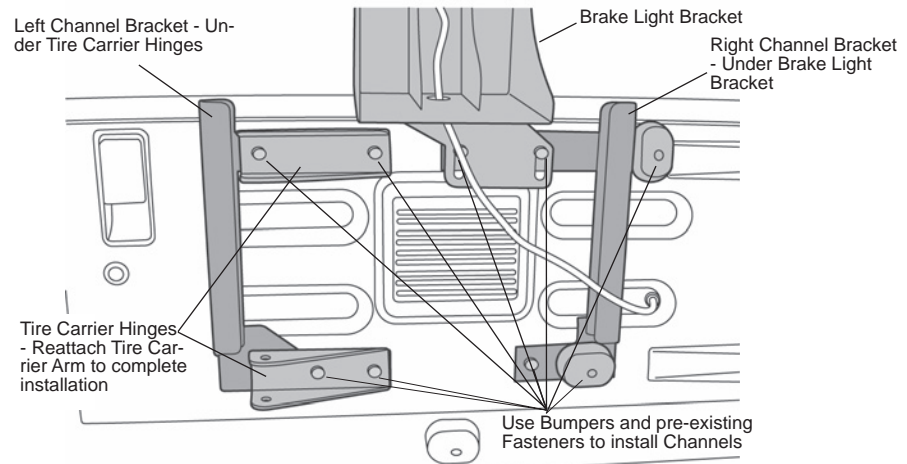
Use Bumpers and pre-existing Fasteners where available to install Channels. Where holes are not available, install Jack Nuts.

### 2 Vehicles with Bestop Tire Carrier (61950) Install Channel Brackets

Orient the Right Channel Bracket on the vehicle. Use the bumpers and fasteners removed in Step One to install the bracket. Re-install the Brake Light Bracket over the top of the Channel Bracket.

Orient the Left Channel Bracket on the vehicle. Place the bracket against the tailgate with the Tire Carrier Hinges on top of the bracket and reinstall the fasteners removed in Step One.

Reattach the Tire Carrier Arm to the Hinges.



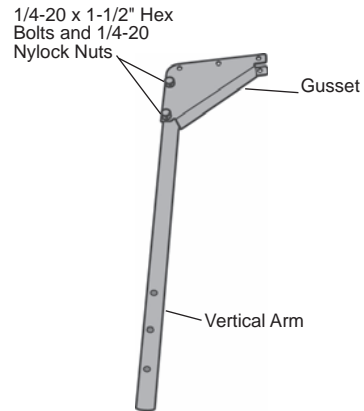
## Tailgate Rack Bracket Installation Instructions

### 3 Assemble Vertical Support Arms

Locate the Vertical Arms and Gussets in the Parts Kit.

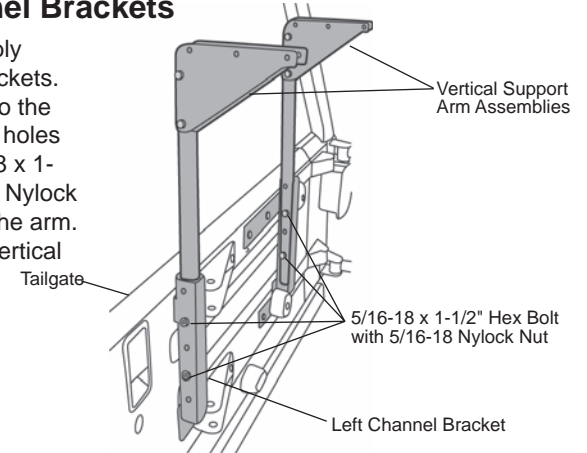
Orient the Vertical Arms with the two holes toward the top. Press an End Cap into this end of each Vertical Arm.

Use two 1/4-20 x 1-1/2" Hex Bolts and two 1/4-20 Nylock Nuts to attach a Gusset to the top end of each Vertical Arm.



### 4 Install Vertical Support Arms in Channel Brackets

Slide a Vertical Arm Assembly into one of the Channel Brackets. Adjust the arm up or down to the desired height and until two holes are aligned. Install a 5/16-18 x 1-1/2" Hex Bolt and a 5/16-18 Nylock Nut in each hole to secure the arm. Repeat this with the other Vertical Support Arm Assembly.

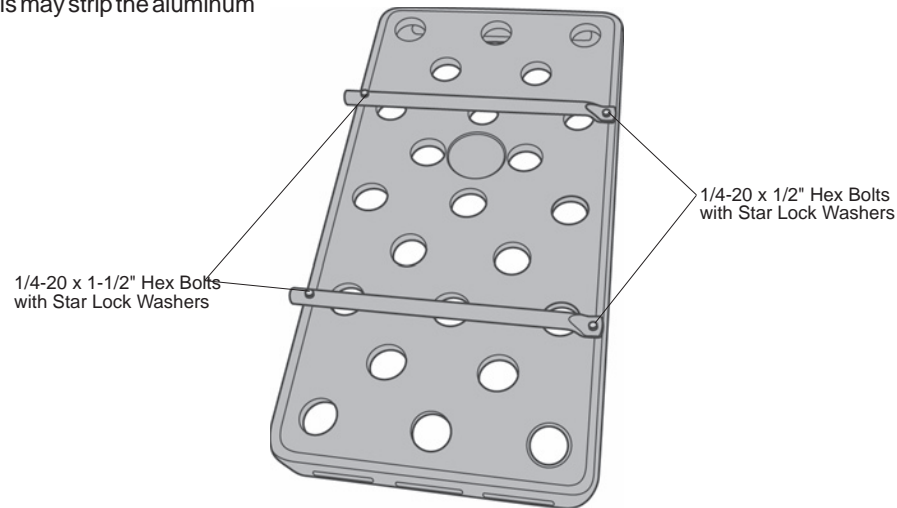


### CAUTION

Do not overtighten the bolts. This may strip the aluminum inserts in the Tray.

### 5 Attach Horizontal Arms to Tray

Press an End Cap into the open end of each Horizontal Arm. Use a 1/4-20 x 1/2" Hex Bolt and Star Lock Washer to attach the flattened end of each Horizontal Arm to the bottom of the Tray. Use a 1/4-20 x 1-1/2" Hex Bolt and a Star Lock Washer to attach the other end of each arm to the Tray.



## Tailgate Rack Bracket Installation Instructions



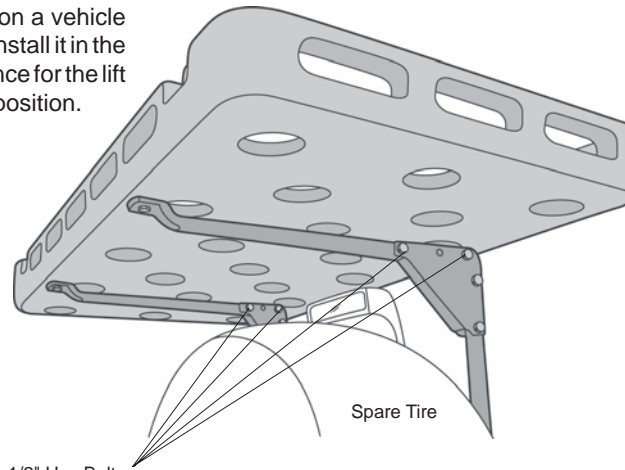
### CAUTION

If you are installing this product on a vehicle with a Hard Top, you will need to install it in the rearmost position to allow clearance for the lift glass. DO NOT load the tray with more than 50 lbs. in this position.

### 6 Install Tray Assembly

There are multiple holes in the Gusset and the Horizontal Arm to allow you to adjust the Tray's fore/aft position.

Place the Tray/Arm assembly over the spare tire and into the top of the Gussets. Line up the holes in the Gusset and the Horizontal Arm that place the Tray in the desired position. Install two 1/4-20 x 1-1/2" Hex Bolts and two 1/4-20 Lock Nuts to secure each Horizontal Arm to the Gusset.



1/4-20 x 1-1/2" Hex Bolts  
with 1/4-20 Lock Nuts



### CAUTION

Do not load the tray with more than 75 evenly distributed Pounds. Be careful when operating the vehicle because the loaded tray may affect handling. Remember that the tray extends beyond the spare tire when backing.