



Seat Track Slide Installation Instructions



For: All Jeep® CJ5s, CJ7s and Wranglers 1976-1995

Part Number: 51255

Jeep® is a registered trademark of Chrysler and Bestop is not affiliated with Chrysler Corporation.



WARNING

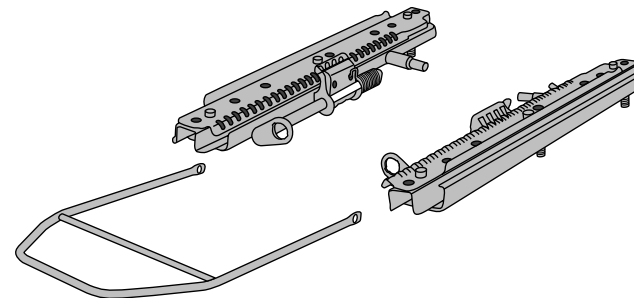
Before you begin installing this seat slider, please read all installation instructions and warnings thoroughly.

This seat slider is designed to be used on the model vehicles described above. Use of this seat slider on any other vehicle or failure to install this seat slider properly may result in an improperly mounted seat and could result in unexpected movement of the seat and loss of control of the vehicle, thereby placing the occupants of the vehicle and others in a potentially dangerous situation.

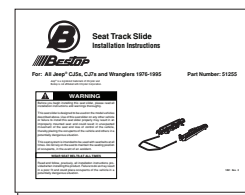
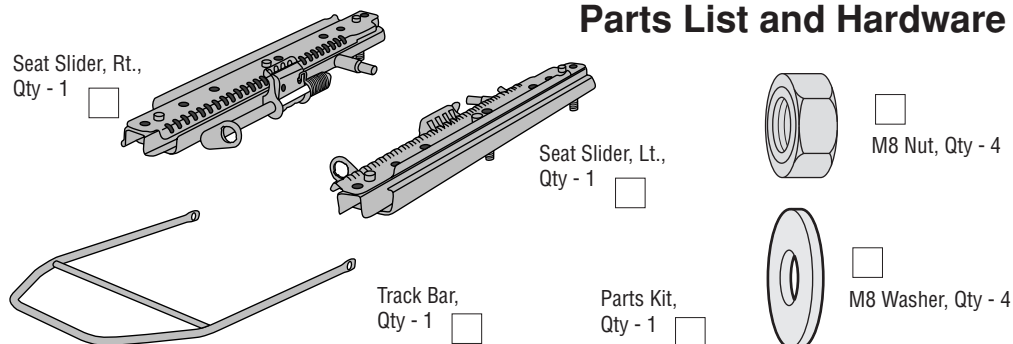
This seat system is intended to be used with seat belts at all times. Do not rely on the seat to maintain the seating position of occupants, in the event of an accident.

WEAR SEAT BELTS AT ALL TIMES

Read and follow, precisely, all installation instructions provided when installing this product. Failure to do so may result in a poor fit and could place occupants of the vehicle in a potentially dangerous situation.



Parts List and Hardware Identification



Installation Instruction Manual, Qty - 1

Tools Needed

13 MM Hex Socket Head
#30 Torque Wrench
Safety Glasses

Seat Installation



Caution

Note: Before beginning the seat slider installation, set the parking brake, place the vehicle in gear or park and chock the wheels to reduce the risk of the vehicle unexpectedly moving, which could result in serious injury.

Please Note

If your original seat track slide is not attached to the riser with nuts, this replacement slider will not work with your original seat riser. It will work with Bestop's replacement riser, part number 51254/51253.

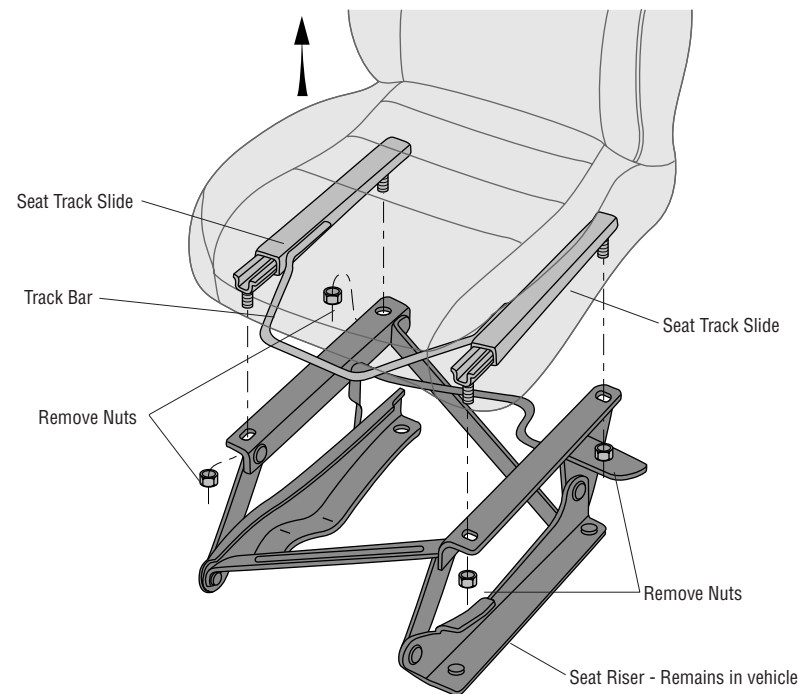
Step One

Remove the existing seat from the vehicle.
Remove the four (4) nuts that mount the seat track slides to the riser. Discard the nuts.

The nuts are under the ledge on the riser.

Then remove the bucket seat and track slides from the vehicle (the seat riser will remain in the vehicle).

Left Side Shown

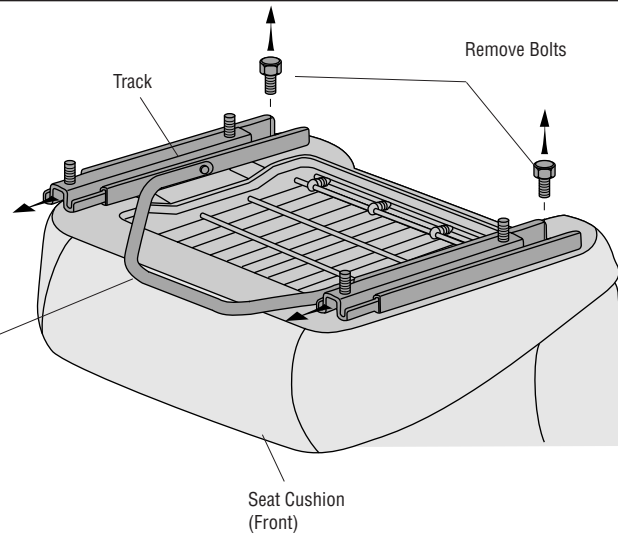


Step Two

Remove the tracks.

Lay the seat down with the bottom side facing up. Push down on the track bar to slide the track forward, allowing access to the rear track mounting bolts. Remove the bolts and save them for re-installation.

Track Bar - Push down to slide Track forward

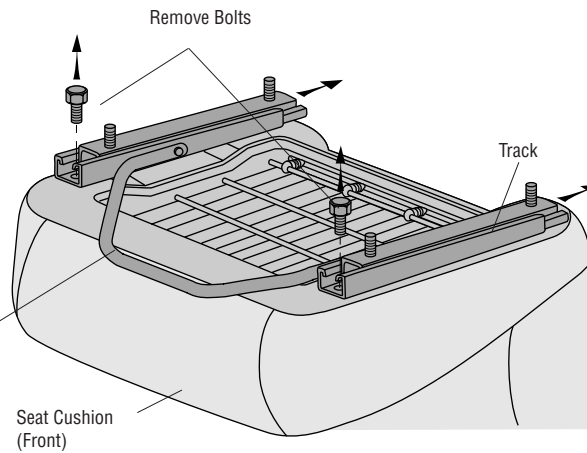


Step Three

Remove the tracks.

Push down on the track bar again to slide the track toward the rear of the seat. Remove the front track mounting bolts and save them.

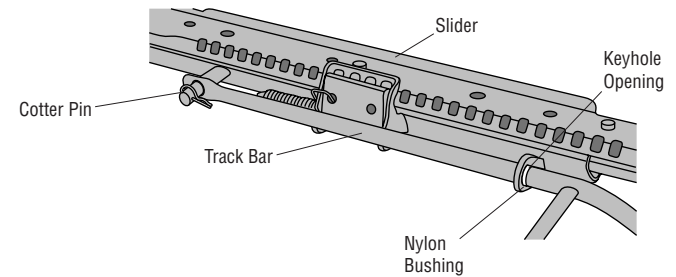
Track Bar - Push down to slide Track toward rear



Step Four

Assemble Sliders and Track Bar

Push the ends of the Track Bar through the holes in the activation bar on the Sliders. Rotate the Track Bar until the ends fit through the keyholes. Insert a Nylon Bushing from the Parts Kit around the arms of the Track Bar and push the bushings into the holes in the activation bar. Then slide the holes in the ends of the Track Bar over the post on each slider and secure with a Cotter Pin.

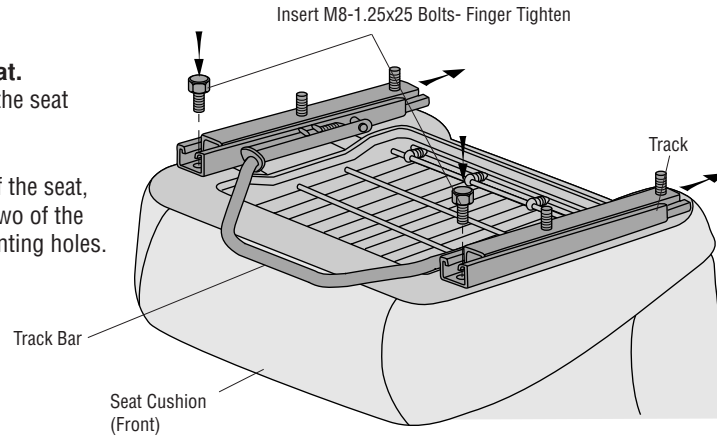


Step Five

Install the new tracks on the Seat.

Lay the seat down with the bottom of the seat facing up.

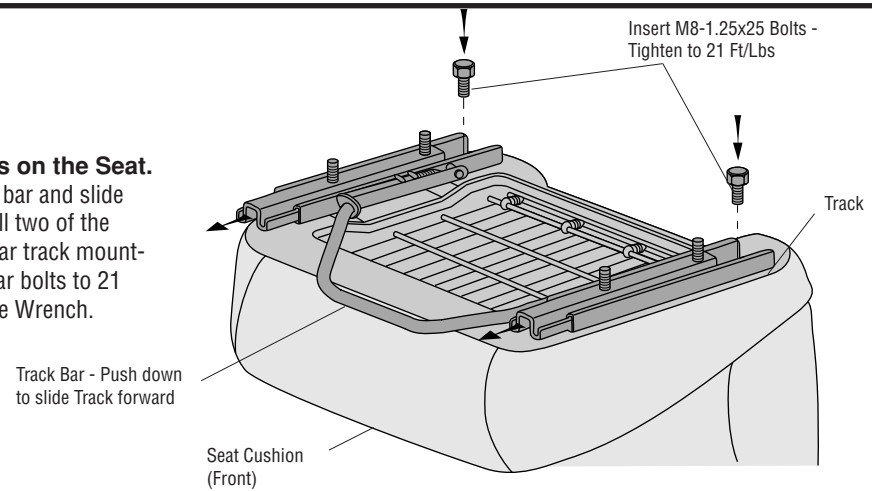
While the track slides are to the rear of the seat, place the tracks onto the seat. Install two of the bolts you saved in the front track mounting holes. Finger tighten the bolts.



Step Six

Install the new tracks on the Seat.

Press down on the track bar and slide the tracks forward. Install two of the bolts you saved in the rear track mounting holes. Tighten the rear bolts to 21 ft/lbs, using a #30 Torque Wrench.





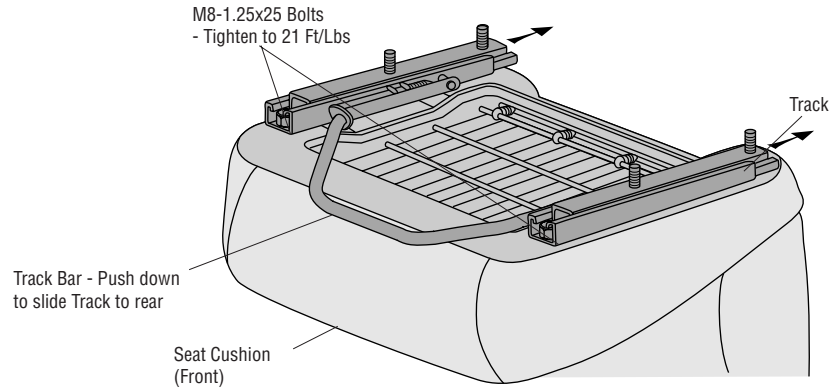
WARNING

Failure to tighten the bolts and nuts to the specified torque can result in the seat loosening, thereby causing serious bodily injury to the vehicle occupants and to others.

Step Seven

Tighten the Front Bolts.

Press down on the track bar and slide the tracks toward the rear of the seat. Tighten the front bolts to 21 ft/lbs, using a #30 Torque Wrench.



WARNING

Failure to tighten the bolts and nuts to the specified torque can result in the seat loosening, thereby causing serious bodily injury to the vehicle occupants and to others.

Step Eight

Install the Seat in the Vehicle.

Place the seat in the vehicle. Align the studs on the tracks with the holes in the seat riser. Install four (4) M8 Nuts and M8 Washers on the track studs. Tighten the nuts to 21 ft/lbs, using a #30 Torque Wrench.

