



Installation Instructions Seat Slider with Adapter



for use with Trailmax and Trailmax II Seats




Vehicle Application:

•Jeep Wrangler and Wrangler Unlimited
2003 – 2006


Driver Side (Left)
Part Number: 51245


Passenger Side (Right)
Part Number: 51248

INSTALLATION TIME	SKILL LEVEL
 3/4 Hour	 2 - Moderately Easy

TOOLS		
 Wrench 13mm	 Torx Wrench T-50	 Safety Glasses

 **WARNING** Disconnect the battery before continuing with this installation.

 **CAUTION** Safety glasses should be worn at all times while installing this product.

 **WARNING** This product is designed primarily to enhance the appearance of the vehicle. Do not rely in any way on the components of this product to protect against injury or death in the event of an accident. Never operate the vehicle in excess of manufacturer's specifications.

WEAR SEAT BELTS AT ALL TIMES

Read and follow, precisely, all installation instructions provided when installing product. Failure to do so may result in a poor fit and could place occupants of the vehicle in a potentially dangerous situation.

Seat Slider with Adapter Installation Instructions

Parts List and Hardware Identification

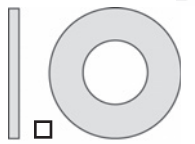
Seat Slider with Adapter (51245 shown), Qty - 1



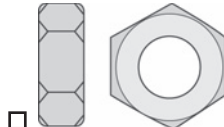
8mm Nut, Qty - 6



8mm Washer, Qty - 6



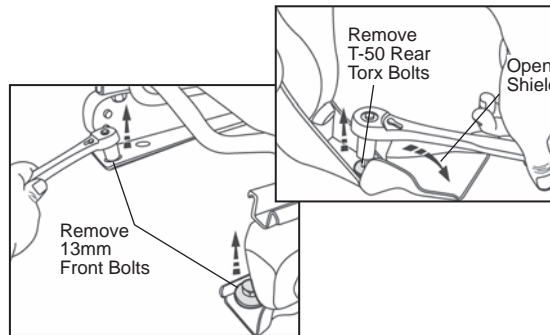
12mm Washer, Qty - 1



12mm Nut, Qty - 1

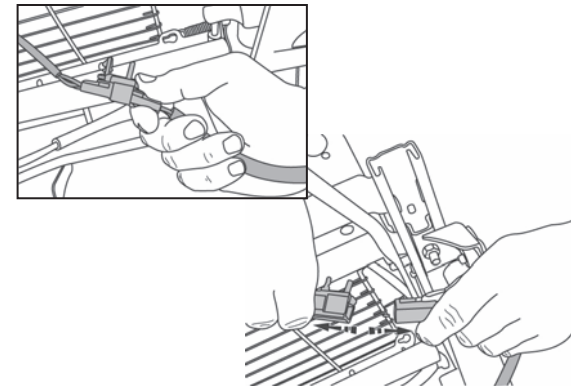
1 Remove Seat from Vehicle

Use a 13mm wrench to remove the front bolts securing the seat to the vehicle. Open the plastic shield over the rear bolts and use a T-50 Torx to remove them. Set the bolts aside to be reused.



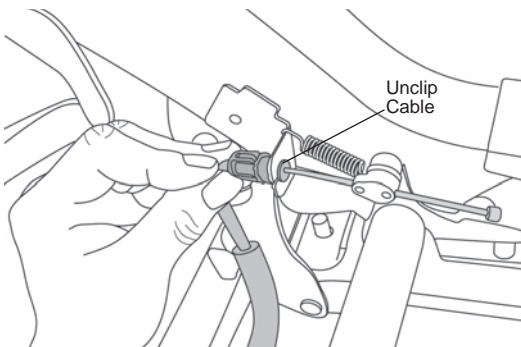
2 Unplug Seatbelt Sensor

Unplug the seatbelt sensor wire. Remove seat from vehicle.



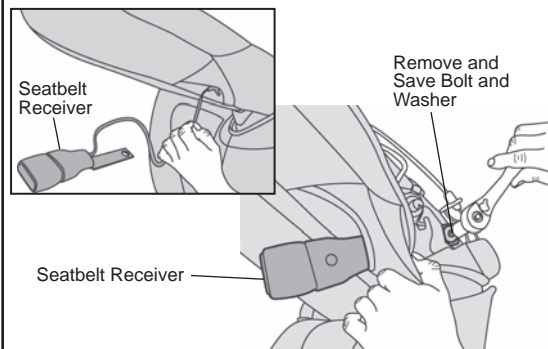
3 Release Fold and Tumble Cable

Unclip the fold and tumble cable from the O.E. Seat Riser.



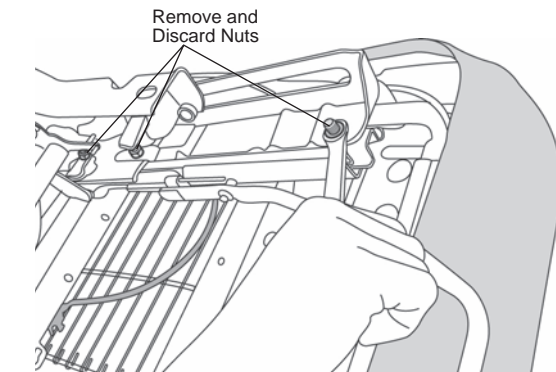
4 Remove Seatbelt Receiver

Use a T-50 Torx to remove the O.E. seatbelt receiver from the O.E. Seat. Save the bolt and washer to be reused later.



5 Remove the O.E. Seat and Slider from the Riser

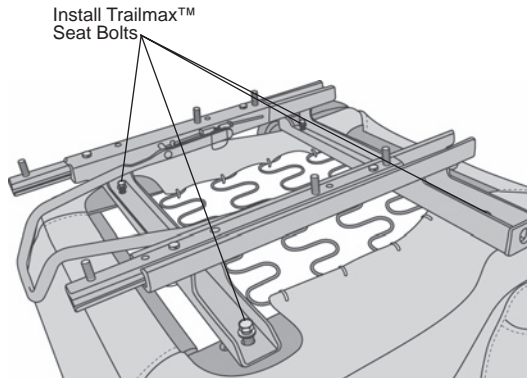
Use a 13mm wrench to remove the O.E. Seat and Slider from the O.E. Seat Riser. Discard the six (6) nuts.



Seat Slider with Adapter Installation Instructions

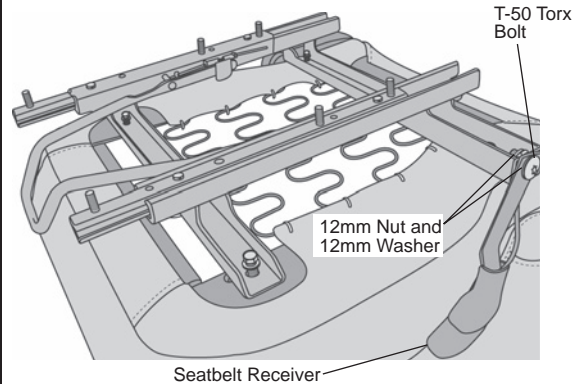
6 Install Seat Slider on Trailmax™ Seat

Use the bolts that came with your Trailmax™ Seat to install the Slider on the seat.



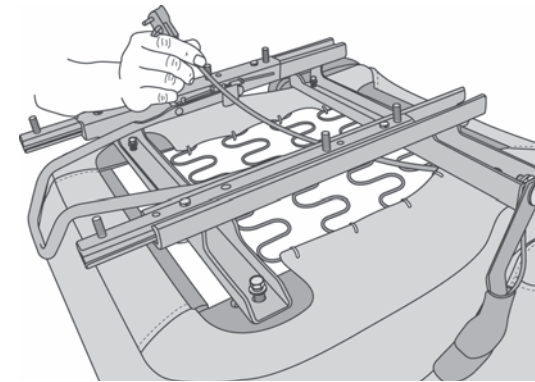
7 Reinstall the Seatbelt Receiver

Use the Torx bolt removed in Step 4 with a 12mm Washer and 12mm Nut to mount the Seatbelt Receiver to the Seat Slider with Adapter.



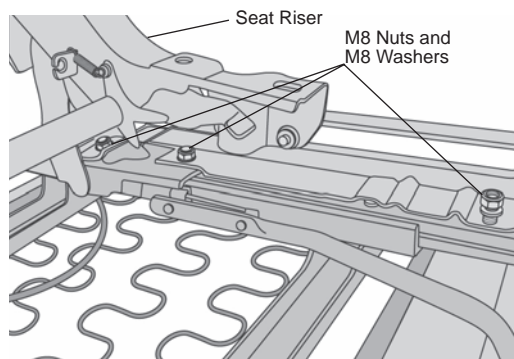
8 Clear Seatbelt Sensor Wire

Pull the seatbelt sensor wire through so it does not interfere with the seat installation.



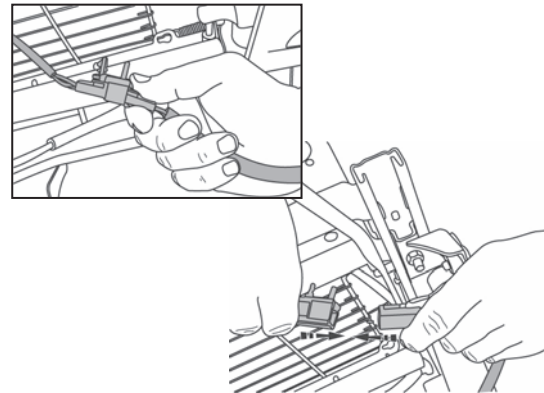
9 Install Seat and Slider Assembly to Seat Riser

Use the M8 Nuts and M8 Washers to mount the Trailmax™ Seat and Slider Assembly to the Seat Riser.



10 Reattach Seatbelt Sensor Wire

Place the seat back in the vehicle.
Plug in the seatbelt sensor wire.



11 Reinstall Seat in Vehicle

Use a 13mm wrench to reinstall the front bolts securing the seat to the vehicle. Use a T-50 Torx to reinstall the rear bolts.

