





Installation Instructions TrailMax™ II Sport Reclining High Back Bucket Seat

Vehicle Application

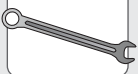

•All Jeep CJ5s, CJ7s
and Wranglers
1976 – 2002
Vinyl Seat
Part Number: 39434

•All Jeep CJ5s, CJ7s
and Wranglers
1976 – 2002
Cloth Seat
Part Number: 39438

1997 – 2002 Vehicles must use Adapter Bracket Part Number 51256.

INSTALLATION TIME	SKILL LEVEL
 <p>1 Hour</p>	 <p>2 - Moderately Easy</p>

TOOLS

 <p>Wrench 13 mm and 12 mm Hex</p>	 <p>Safety Glasses</p>
--	--





Installation Tips

Before you begin installing this assembly, read all instructions thoroughly.

For a smooth fit:

For ease in installation, the product should be installed at temperatures above 72° F. Below this temperature, the fabric may contract an inch or more, making it difficult to fit to the vehicle. It is normal for fabric to contract and wrinkle when stored in the shipping carton. Within a few days after the installation, the fabric will relax and the wrinkles will disappear.

 **CAUTION** Safety glasses should be worn at all times while installing this product.

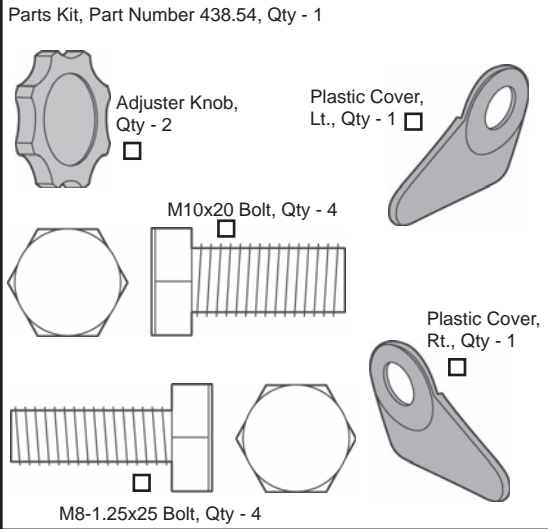
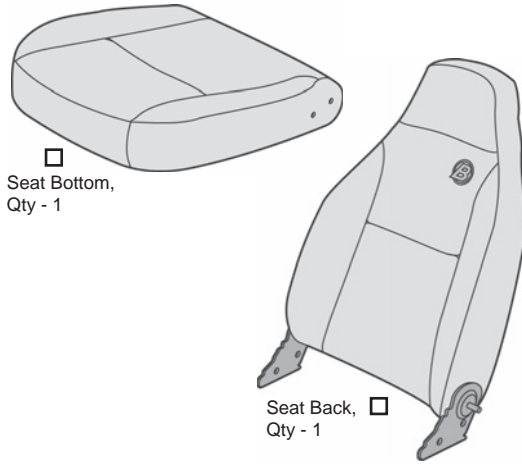
 **WARNING** This product is designed primarily to enhance the appearance of the vehicle and to shield the occupants from ordinary weather conditions. Do not rely in any way on the components of this product to contain occupants within the vehicle, or to protect against injury or death in the event of an accident. This product will not protect the occupants from falling objects. Never operate the vehicle in excess of manufacturer's specifications.

WEAR SEAT BELTS AT ALL TIMES

Read and follow, precisely, all installation instructions provided when installing product. Failure to do so may result in a poor fit and could place occupants of the vehicle in a potentially dangerous situation.

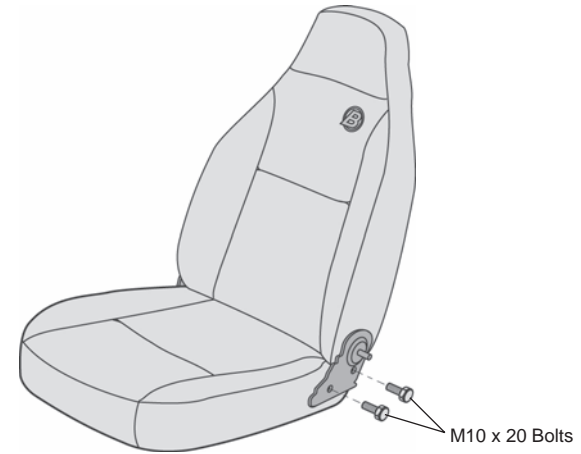
TrailMax™ II Sport Reclining High Back Bucket Seat – Installation Instructions

Parts List and Hardware Identification



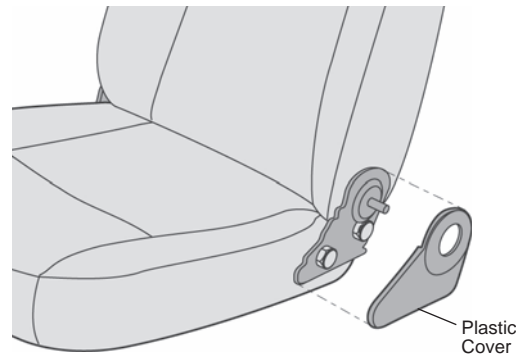
1 Assemble Seat

Align the holes in the brackets on the Seat Back with the holes in the Seat Bottom. Install an M10 x 20 Bolt in each hole. Tighten the bolts securely.



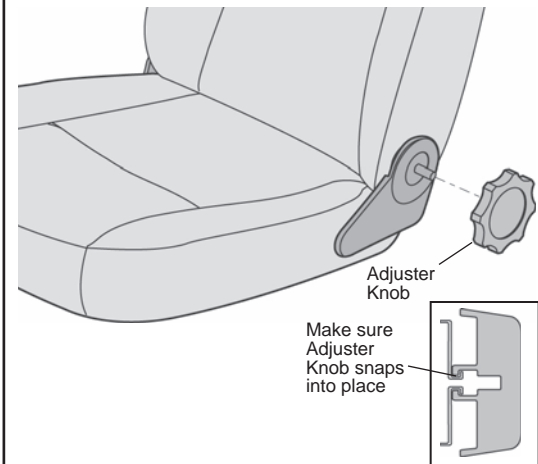
2 Install Plastic Covers

Orient the Plastic Covers with the brackets on the seat. Press the covers firmly onto the brackets.



3 Install Adjuster Knobs

Install an Adjuster Knob onto the pin on each side of the seat. Press firmly on the Knob until it snaps into place.



TrailMax™ II Sport Reclining High Back Bucket Seat – Installation Instructions



CAUTION

Before beginning the seat installation, set the parking brake, place the vehicle in gear or park and chock the wheels to reduce the risk of the vehicle unexpectedly moving, which could result in serious injury.



WARNING

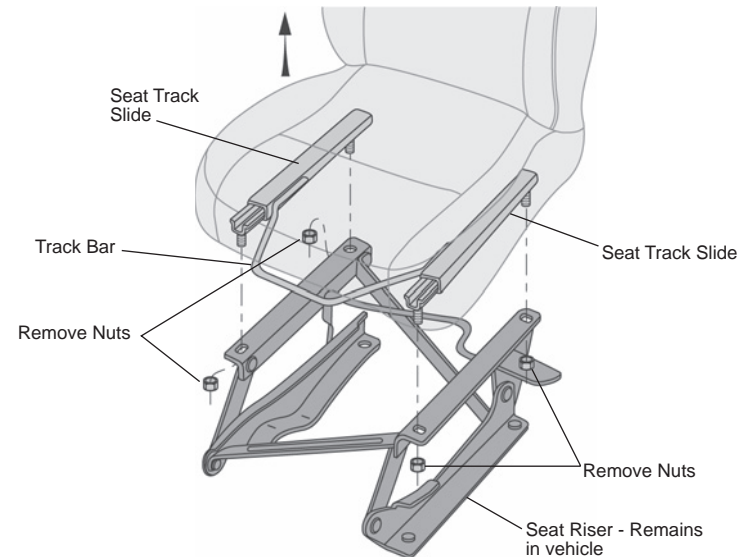
The seat is designed to be installed on the original seat riser. DO NOT remove or loosen any of the original seat riser anchor bolts. Doing so may cause improper anchoring of the seat, which could result in serious injury, to you and others.

4 Remove the Existing Seat from the Vehicle

Remove the four (4) nuts that mount the seat track slides to the riser. Do not throw away the four (4) nuts since they will be reused.

The nuts are under the ledge on the riser.

Then remove the bucket seat and track slides from the vehicle (the seat riser will remain in the vehicle).

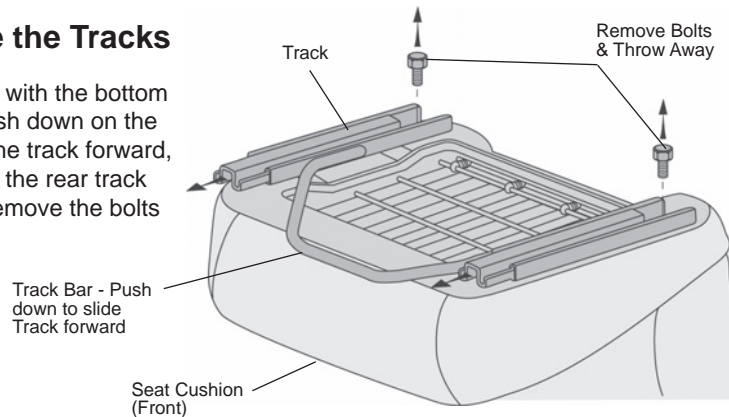


WARNING

DO NOT reuse the original mounting bolts. Reuse of the bolts could cause the seat to loosen, which could result in loss of control of the vehicle, causing bodily injury to the vehicle occupants and to others.

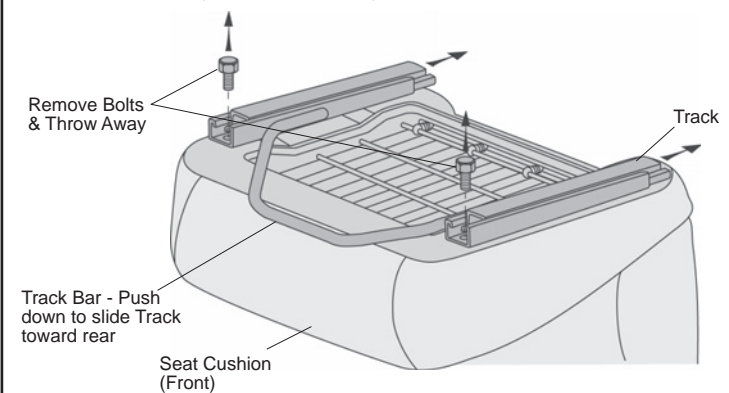
5 Remove the Tracks

Lay the seat down with the bottom side facing up. Push down on the track bar to slide the track forward, allowing access to the rear track mounting bolts. Remove the bolts and discard them.



6 Remove the Tracks

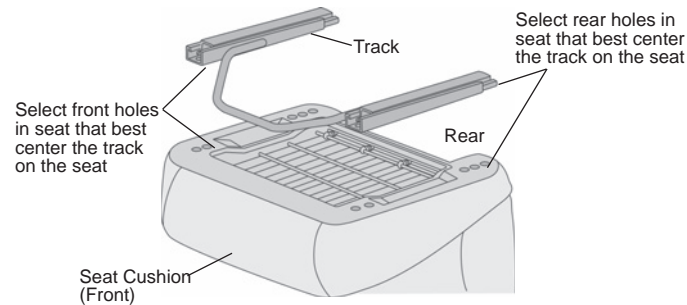
Push down on the track bar again to slide the track toward the rear of the seat. Remove the front track mounting bolts and discard them. Do not throw away the tracks, they will be mounted to the Bestop seat.



TrailMax™ II Sport Reclining High Back Bucket Seat – Installation Instructions

Hole Pattern

Your new Bestop seat has two (2) mounting holes on each side of the front and three (3) holes on each side of the rear. This allows tracks from various Jeep models to be used with the Bestop seat. Locate the correct mounting pattern by placing the track on the seat and positioning the track so that the four holes in the track align with four mounting holes in the seat, allowing the track to be positioned in the center of the seat.



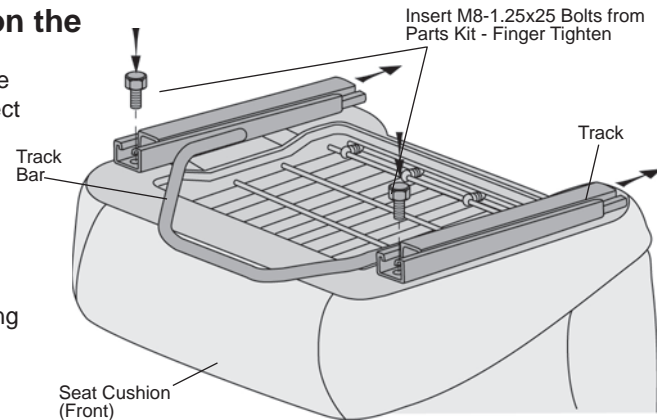
! WARNING

Use only the bolts provided in the Parts Kit when installing the new seat. Failure to do so may cause the seat to loosen, resulting in loss of control of the vehicle and causing serious bodily injury to the vehicle occupants and to others.

7 Install the tracks on the Bestop Seat

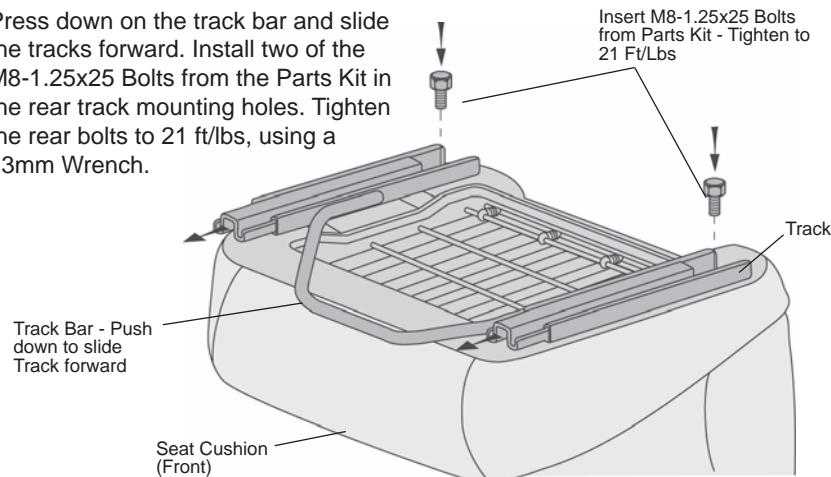
Lay the Bestop seat down with the bottom of the seat facing up. Select the hole pattern on the seat that applies to your vehicle.

While the track slides are to the rear of the seat, place the tracks onto the Bestop seat. Install two of the M8-1.25x25 Bolts from the Parts Kit in the front track mounting holes. Finger tighten the bolts.



8 Install the tracks on the Bestop Seat

Press down on the track bar and slide the tracks forward. Install two of the M8-1.25x25 Bolts from the Parts Kit in the rear track mounting holes. Tighten the rear bolts to 21 ft/lbs, using a 13mm Wrench.

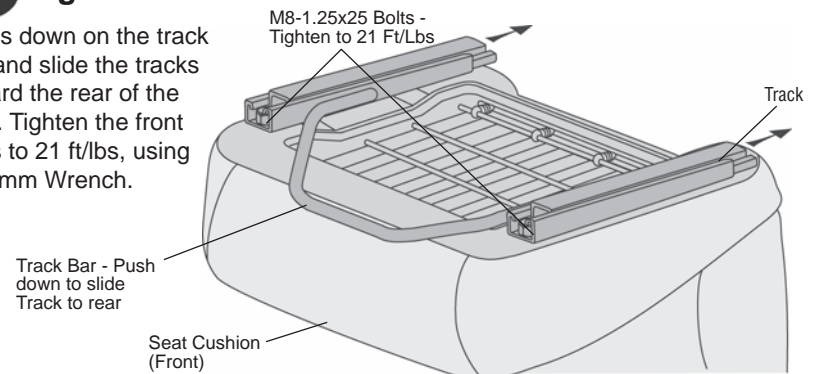


! WARNING

Failure to tighten the bolts and nuts to the specified torque can result in the seat loosening, thereby causing serious bodily injury to the vehicle occupants and to others.

9 Tighten the Front Bolts

Press down on the track bar and slide the tracks toward the rear of the seat. Tighten the front bolts to 21 ft/lbs, using a 13mm Wrench.

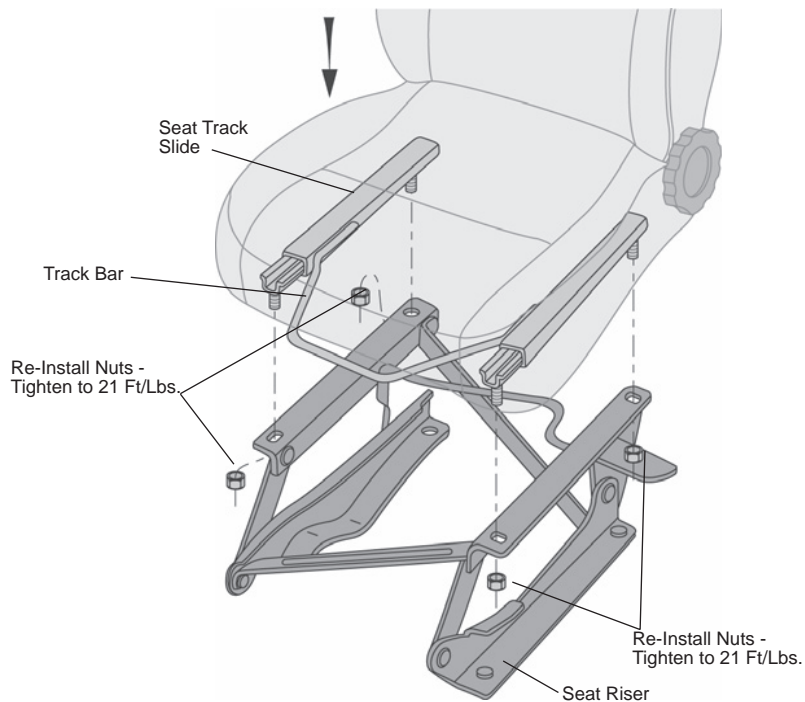


TrailMax™ II Sport Reclining High Back Bucket Seat – Installation Instructions

! WARNING Failure to tighten the bolts and nuts to the specified torque can result in the seat loosening, thereby causing serious bodily injury to the vehicle occupants and to others.

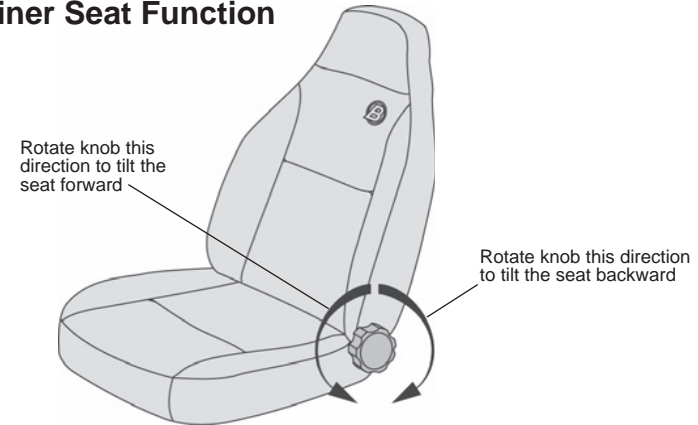
10 Install the Seat in the Vehicle

Place the seat in the vehicle. Align the studs on the tracks with the holes in the seat riser. Reinstall the four (4) nuts that were removed in Step One on the track studs. Tighten the nuts to 21 ft/lbs, using a 13mm Wrench.



! CAUTION Tilting the seat back to near horizontal could cause interference to the rear wheel house and may cause damage to the back of the seat.

Recliner Seat Function



NOTE For proper use of child seats in this vehicle, refer to the instructions provided with the child seat and to the vehicle owners manual.

! WARNING Never adjust the driver's seat or seat back when the vehicle is moving. You could lose control of the vehicle and injure someone.

This seat system is intended to be used with seat belts at all times. Do not rely on the seat to maintain the seating position of occupants, in the event of an accident.

Always drive and ride with your seat back upright and the lap belt snug across the hips to reduce the risk of serious injury to the abdomen or neck that could be caused by sliding under the seat belts in a collision.

Children should always ride with the seat back in the fully upright position. When the seat back is not fully upright, there is a greater risk that the child will slide under the safety belt and be seriously injured in a collision.

WEAR SEAT BELTS AT ALL TIMES