






Installation Instructions All Weather Trail Cover


Vehicle Application

- Jeep Wrangler JK (2 Door)
2007 and newer
Part Number: 81040

INSTALLATION TIME	SKILL LEVEL
 1/4 Hour	 1 - Easy

TOOLS
 Safety Glasses



 **CAUTION** Safety glasses should be worn at all times while installing this product.

Special Note:

This cover is to be installed on the vehicle without a complete top in place. The bows should be folded down if installation is on a soft top Wrangler.

This cover may be installed over a Duster and Bikini.


The straps are designed for fit the "stock" model, and may not latch to various steps and rocker guards added to the vehicle.

Installation Tips

Before you begin installing this assembly, read all instructions thoroughly.

Note:

It is normal for the fabric to contract and wrinkle when stored in the shipping carton. Within a few days after the installation, the fabric will relax and the wrinkles will disappear.

 **WARNING** This product is designed primarily to protect the interior of the vehicle from ordinary weather conditions. Please note that during prolonged exposure to heavy rain or snow, some seam leakage may occur. Please plan accordingly. This product will not protect the vehicle from falling objects. Never operate vehicle with this product installed. The Trail Cover is not made to cover the vehicle while vehicle is in tow.

Trail Cover – Installation Instructions

Parts List

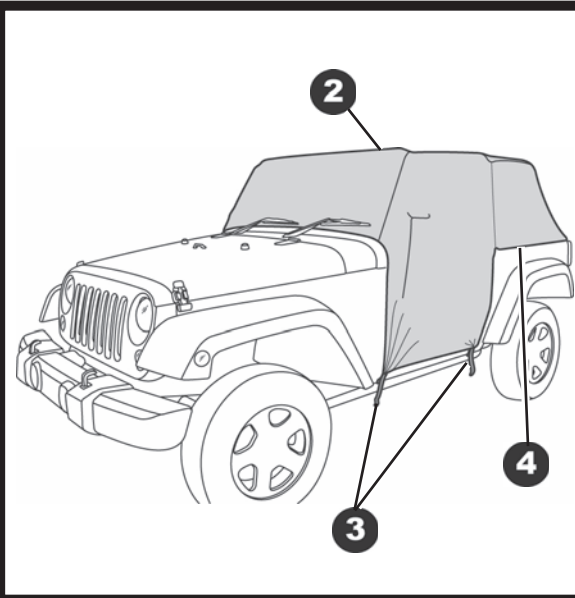
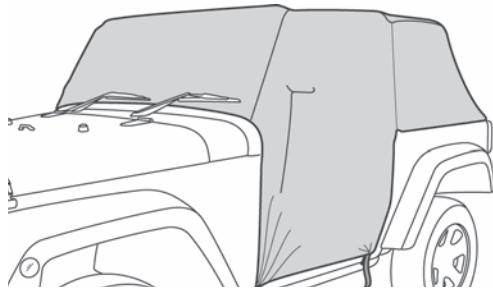
Trail Cover Fabric	Qty - 1
Stuff Sack	Qty - 1

1 Preparing the Vehicle

- Make certain that the vehicle engine and all lights are turned off.
- Set the Emergency (Parking) Brake.
- Remove all personal possessions from the vehicle.

2 Place Trail Cover on Vehicle

Orient the Trail Cover with the Bestop label on the passenger's side. Drape the Trail Cover over the vehicle.

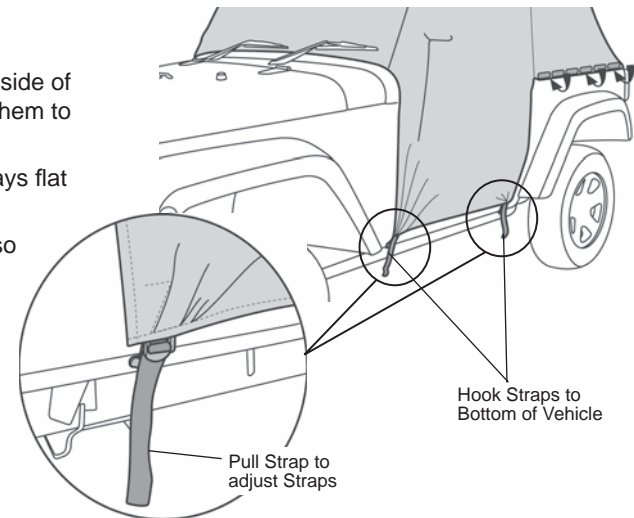


3 Secure Side Straps

Locate the two adjustable straps sewn on each side of the Trail Cover. Pull the straps down and hook them to the bottom of the vehicle.

Make sure that the fabric flap inside the cover lays flat behind the lower grommet.

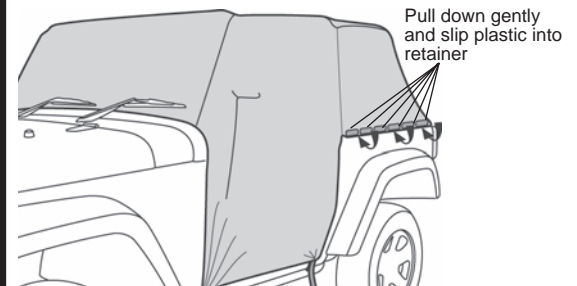
Pull the end of each strap to tighten the straps so the cover fits snugly on the vehicle.



4 Secure Plastic Strips – Soft Top Vehicles Only

There are six (6) plastic strips sewn to each side of the Trail Cover. Slip them into the belt rail retainer on the side of the vehicle.

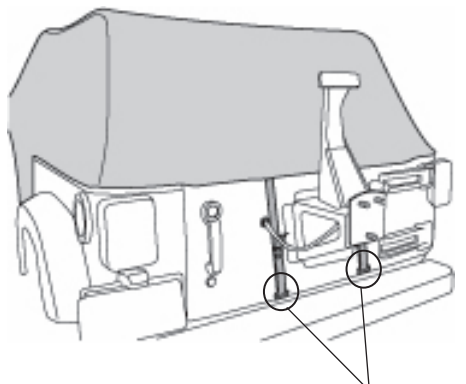
NOTE If you have a Duster installed on your vehicle, use only the adjustable straps to hold the Trail Cover in place.



Trail Cover – Installation Instructions

5 Secure Rear of Cover

Locate the two adjustable straps sewn on the rear of the Trail Cover. Pull the straps down and hook them to the bottom of the tailgate. Adjust the tension as needed.

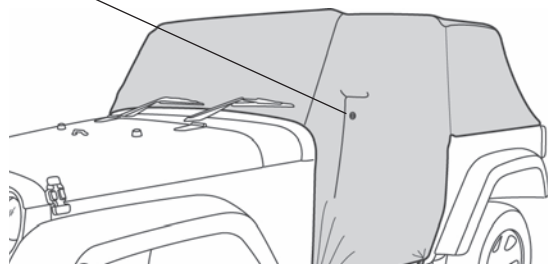


Hook Straps to Bottom of Tailgate

6 Install Cable Lock – Optional

The grommet on each side of the vehicle is to secure the cover to the vehicle. Thread a cable and lock through the grommet and through the mirror to secure the cover.

Install Cable Lock



Care and Maintenance of your Bestop Cover

Your cover is made of the finest materials available. To keep it looking new and for the maximum possible wear, it will need periodic cleaning and maintenance.

Washing: The fabric should be washed often using soap, warm water and a soft bristle brush. Rinse with clear water to remove all traces of soap.

Water: Seeping through at the seams may be stopped by applying 3M Scotchgard® on the inside of the seams. Rips in the fabric may be repaired with Bondex® iron on patches to the Inside of the top, carefully following the Bondex® instructions.

