



Installation Instructions Supertop for Trucks

Vehicle Application:
Toyota Tacoma 2015-Current 6' Bed
Part Number 77301-35

Installation Tips

Before you begin installing your new Supertop for Trucks, please read all the instructions thoroughly.

It is recommended that two people install this Bestop product.

For a smooth fit:

For easier installation, the top should be installed at a temperature above 72° F. Below this temperature, the fabric may contract an inch or more, making it difficult to fit the vehicle. You may let the fabric sit in the sun for 15-20 minutes before installing to let the fabric warm up.

It is normal for the fabric to contract and wrinkle when stored in the shipping carton. Within a few days after installation, the fabric will relax and the wrinkles will disappear.




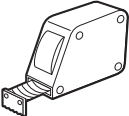



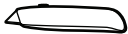


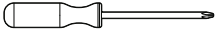




WARNING Do not rely in any way on the components of this product to protect against injury or death in the event of an accident. Never operate the vehicle in excess of manufacturer's specifications.

Read and follow, precisely, all installation instructions provided when installing this product. Failure to do so may result in a poor fit and could place occupants of the vehicle in a potentially dangerous situation.

CAUTION Safety glasses should be worn at all times when installing this product.

WEAR SEAT BELTS AT ALL TIMES



Tools				Installation Time	
 Ratchet	 9/16" & 10mm Sockets	- OR -	 9/16" & 10mm Wrenches	 Tape Measure	 2 hours
 Safety Glasses	 1/8" - 1/4" Allen Wrenches	 Utility Knife			
 Wire Cutter	 Pliers	 Phillips Screwdriver			
Skill Level					
   				3 - Moderately Difficult	





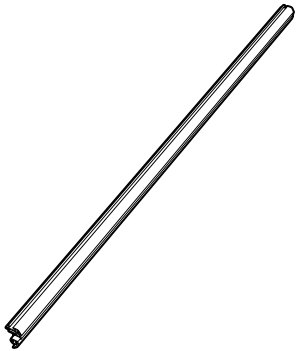
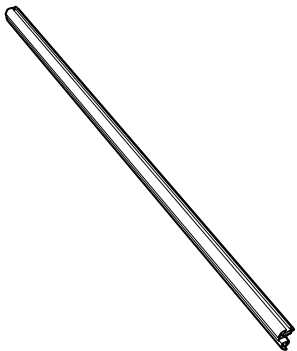
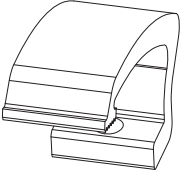
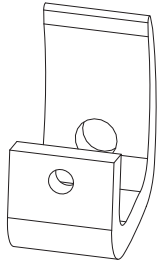
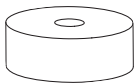

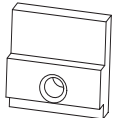
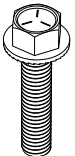

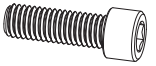


Installation Instructions Supertop for Trucks

Vehicle Application:
Toyota Tacoma 2015-Current 6' Bed
Part Number 77301-35

Parts List

- Required parts for installation - Page number in Installation Guide

Sections 1 to 3		Side Rails		Pages 5 to 8 of Guide			
 <p>Left Front Side Rail Part #581.81 Qty. 1</p>		 <p>Right Front Side Rail Part #581.80 Qty. 1</p>		 <p>Left Rear Side Rail Part #581.79 Qty. 1</p>		 <p>Right Rear Side Rail Part #581.78 Qty. 1</p>	
Sections 4 to 5		Hardware, Front and Rear Rails		Pages 9 to 10 of Guide			
 <p>Front Rail Part #581.84 Qty. 1</p>		 <p>Rear Rail Part #581.85 Qty. 1</p>		 <p>Rear Upper Clamp Part #582.06 Qty.2</p>		 <p>Lower Clamp Part #582.07 Qty. 4</p>	
				 <p>1/2" Spacer Part #581.63 Qty. 2</p>		 <p>Set Screw Part #573.17 Qty. 4</p>	
				 <p>Track Block Part #581.61 Qty. 4</p>		 <p>Hex Head Bolt Part #581.75 Qty. 4</p>	
						 <p>1.5" Socket Bolt Part #581.77 Qty. 2</p>	
						 <p>1" Socket Bolt Part #581.76 Qty. 2</p>	

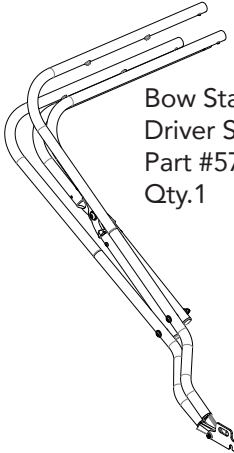

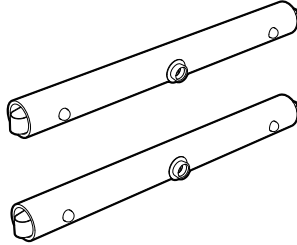
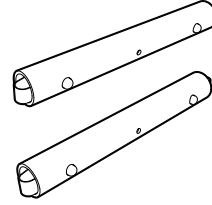
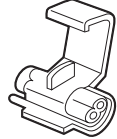


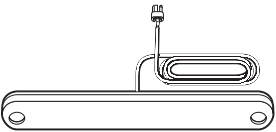
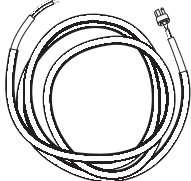
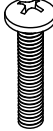


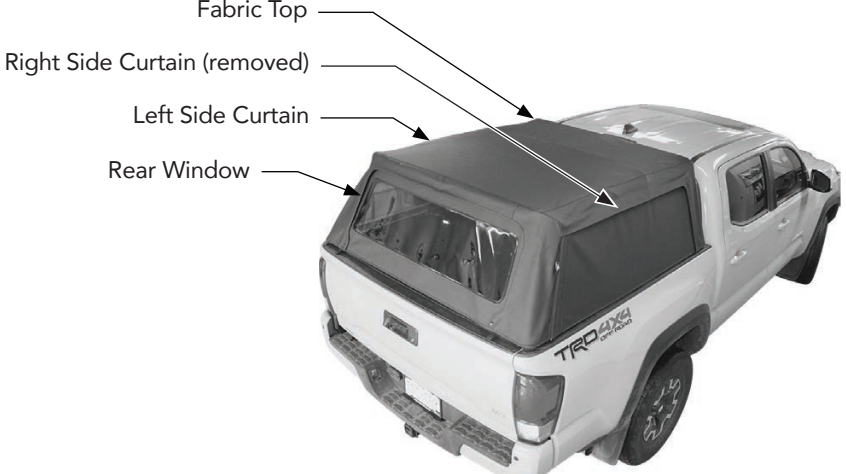
Installation Instructions Supertop for Trucks

Vehicle Application:
Toyota Tacoma 2015-Current 6' Bed
Part Number 77301-35

Parts List

- Required parts for installation - Page number in Installation Guide

Sections 6 to 18		Bow Stacks, Bow Couplers, CHMSL Hardware, Wire Tap		Page 11 to 14 of Guide					
	Bow Stack - Driver Side Part #579.43 Qty.1		Bow Stack - Passenger Side Part #579.42 Qty.1		Bow Coupler #1 & #4 Bows Part #576.04 Qty. 2		Bow Coupler #2 & #3 Bows Part #576.05 Qty. 2		Wire Tap Part #577.58 Qty. 2

Sections 14 to 22		CHMSL; Wire Harness; Top, Window, Side Curtains		Pages 15 to 27 of Guide							
	Center High-Mount Stop Light Qty. 1		29' Wire Harness Qty. 1		#10-32 Screw Qty. 2		Flat Washer Qty. 2		#10-32 Nut Qty. 2		
Parts Kit #576.71											

Section 1

Assemble Side Rails; Remove Paper Backing from Foam Tape

Step 1

581.81

581.80

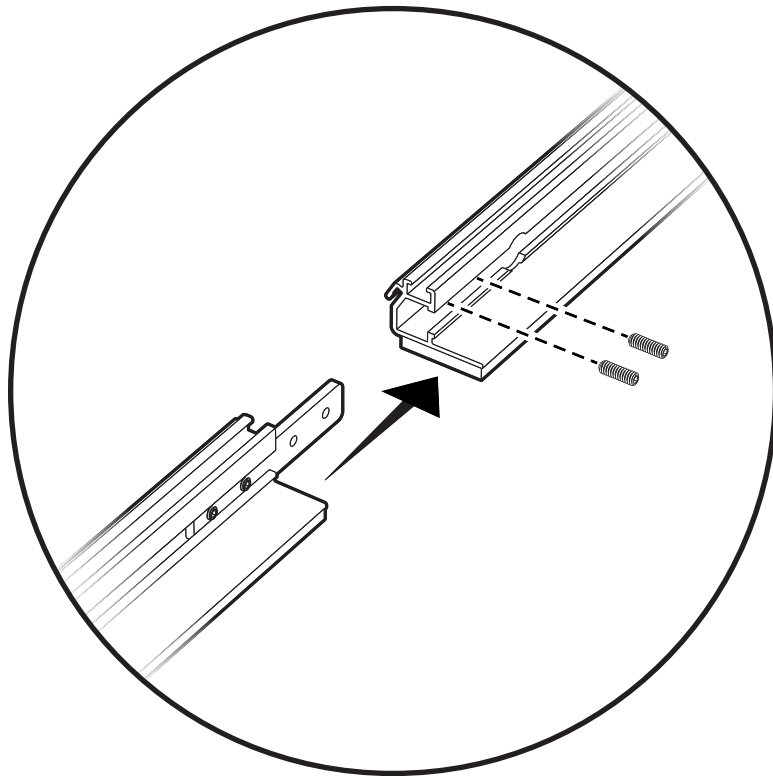
581.78

581.79

573.17

Hardware

Tools



Step 1

Assemble the Left Front Side Rail #581.81 and the Left Rear Side Rail #581.79.

Slide the rails together, and secure using two set screws #573.17.

Check and tighten the two (2) set screws in the rear rail.

Repeat with the Right Side Rails.

Front Side Rail
Part #581.81 - Left (shown)
Part #581.80 - Right
Qty. 1 of each



Set Screw
Part #573.17
Qty. 4



Rear Side Rail
Part #581.79 - Left (shown)
Part #581.78 - Right
Qty. 1 of each



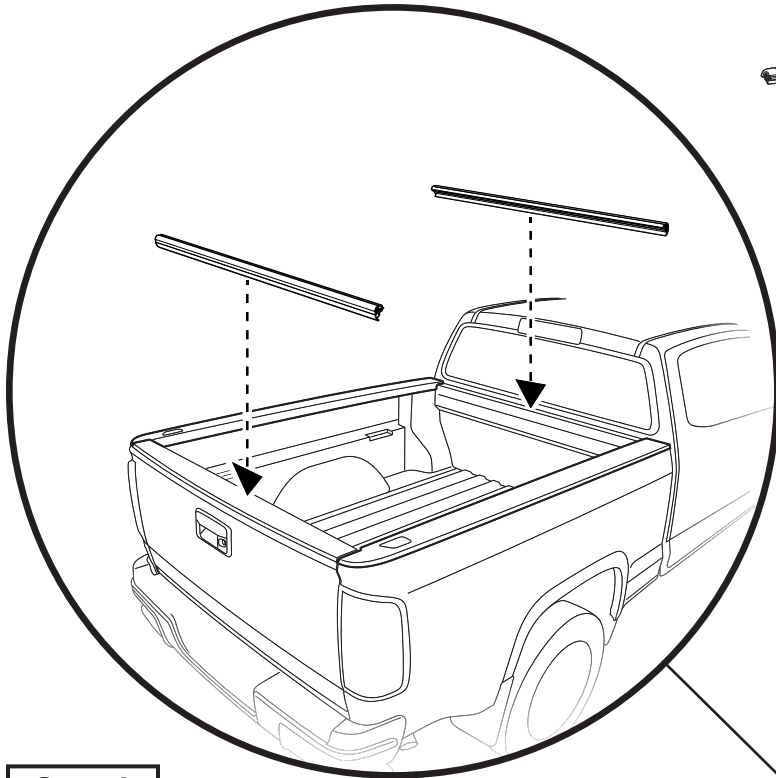
1/8" Allen
Wrench

Section 2 Attach Front & Rear Rails; Attach Side Rail Assemblies

Step 1 Front & Rear Rails

Hardware

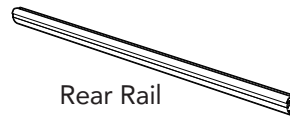
Step 2 Side Rail Assemblies



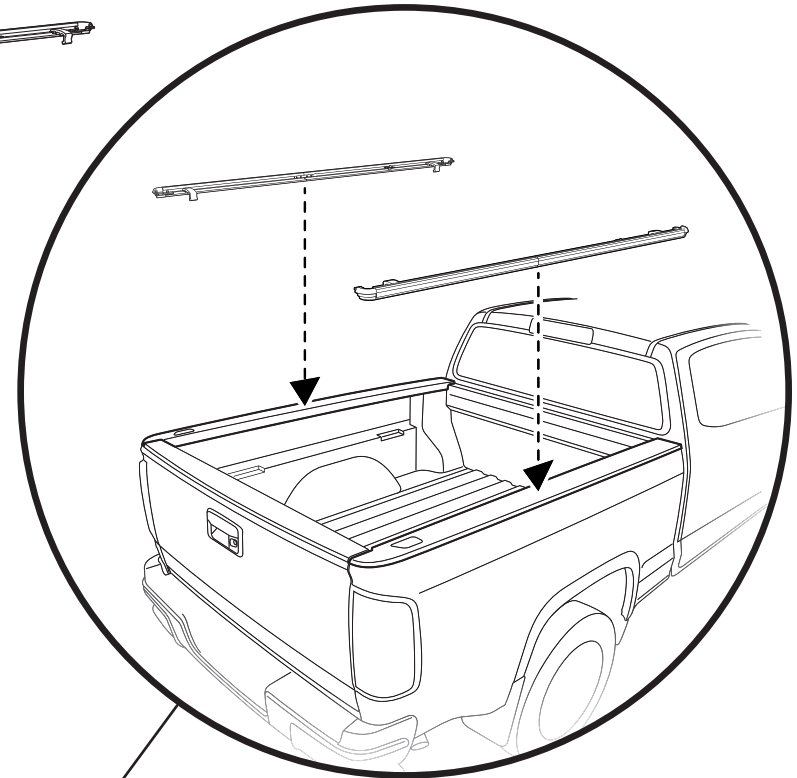
Side Rail Assemblies
Qty. 1 of each



Front Rail
Part #581.84
Qty. 1



Rear Rail
Part #581.85
Qty. 1



Step 1

Place the Front Rail #581.84 and Rear Rail #581.85 onto the truck bed.

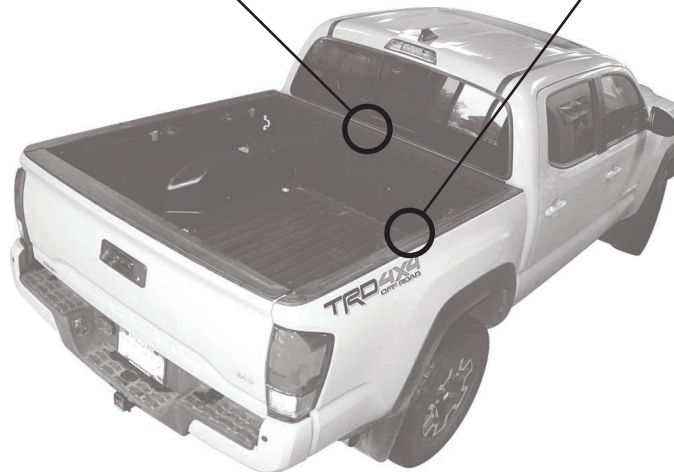
Lay the Rails on top of the truck bed in front, and on top of the plastic bed protector at the rear.

NOTE: The Front Rail is longer than the Rear Rail.

Step 2

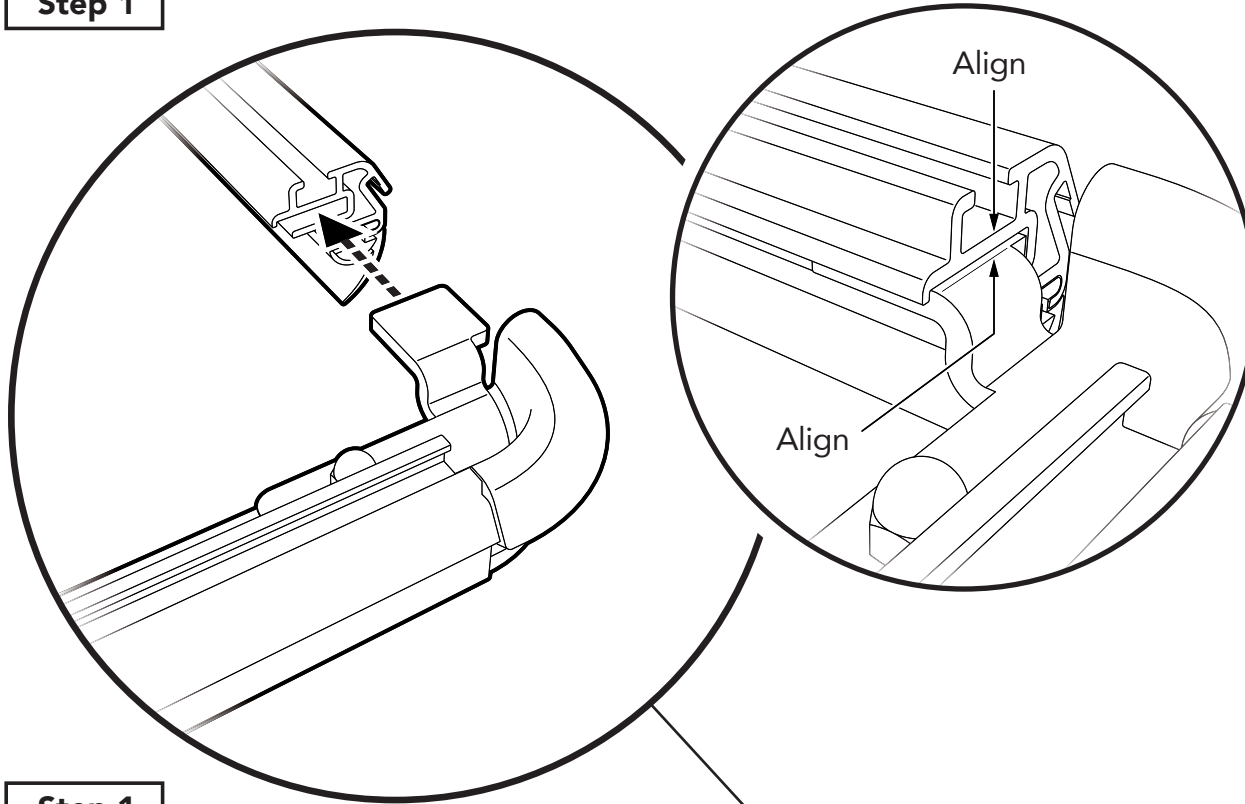
Place Side Rail assemblies onto the truck bed. Lay the Rails on top of the plastic bed protectors.

Attach the Side Rails to the Front and Rear Rails.



Section 2 Attach Front & Rear Rails; Attach Side Rail Assemblies (cont.)

Step 1



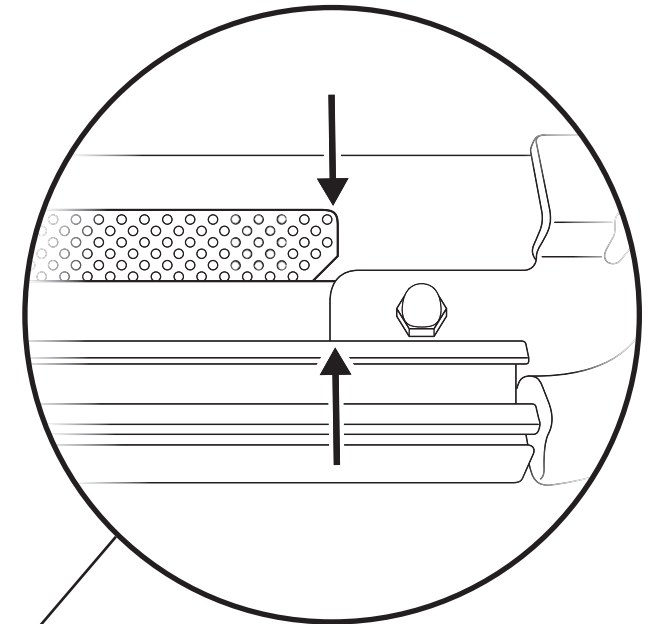
Step 1

Attach the Front and Rear Rails to the Side Rail Assemblies.

Slide the tabs at the front and rear of the Side Rail Assemblies into the slots in the Front and Rear Rails.

Make sure that the ends of the Front Rail and Rear Rail extrusions are aligned with the tongue of the attachment feature, where the tongue bends, and the small corner protrudes.

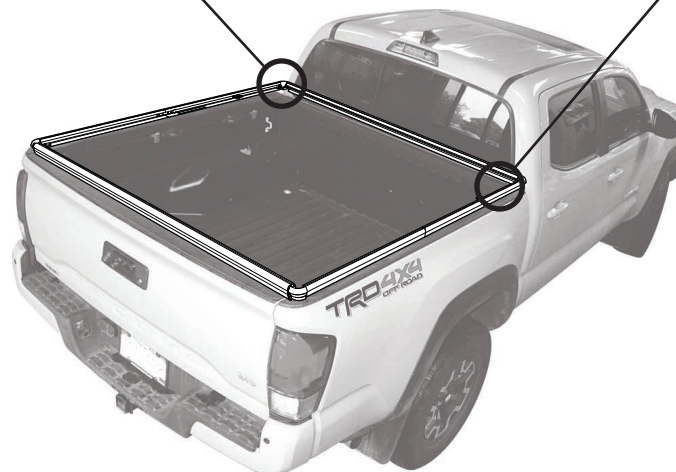
Step 2



Step 2

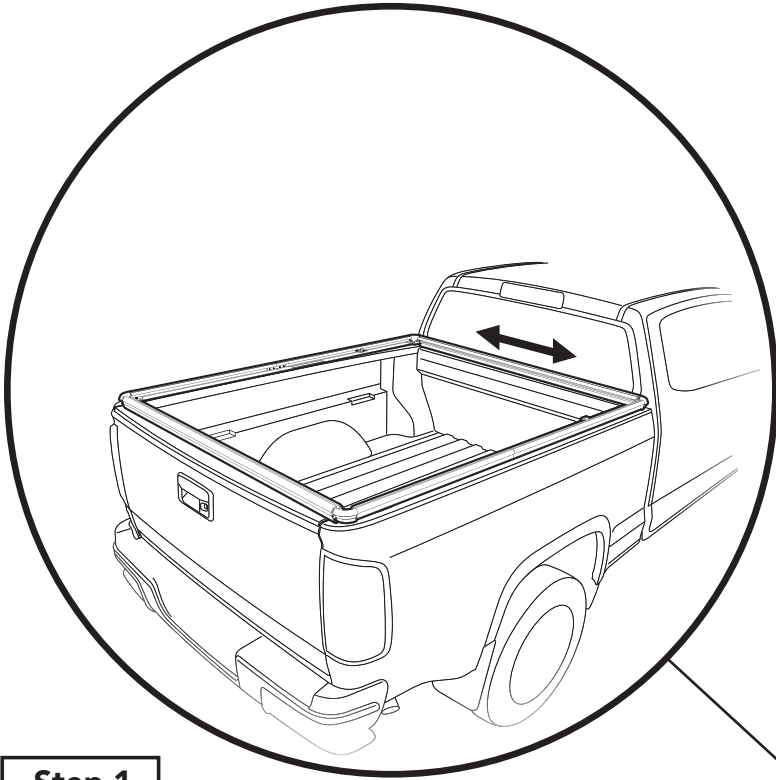
Align the edge of the flanges at the front of each Side Rail Assembly with the forward edge of the patterned panel on the top of the plastic bed protector, as shown in the diagram above.

Align the Side Rails on both sides of the vehicle.



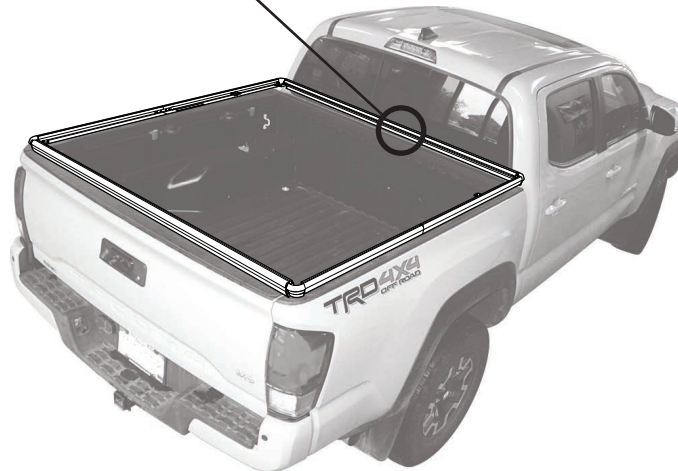
Section 3 Adjust Rails

Step 1 Rail Assembly



Step 1

Adjust the Side and Front and Rear Rail assembly right-to-left to center it on the bed width.

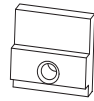


Section 4 Install Upper & Lower Front Clamp Assembly

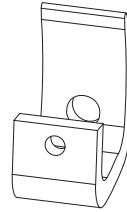
Step 1 582.07 581.61 581.63 581.77

Hardware

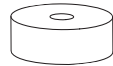
Step 2 581.75 582.07



Track Block
Part #581.61
Qty. 4



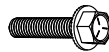
Lower Clamp
Part #582.07
Qty. 2



1/2" Spacer
Part #581.63
Qty. 2



1.5" Socket Bolt
Part #581.77
Qty. 2



Hex Head Bolt
Part #581.75
Qty. 4

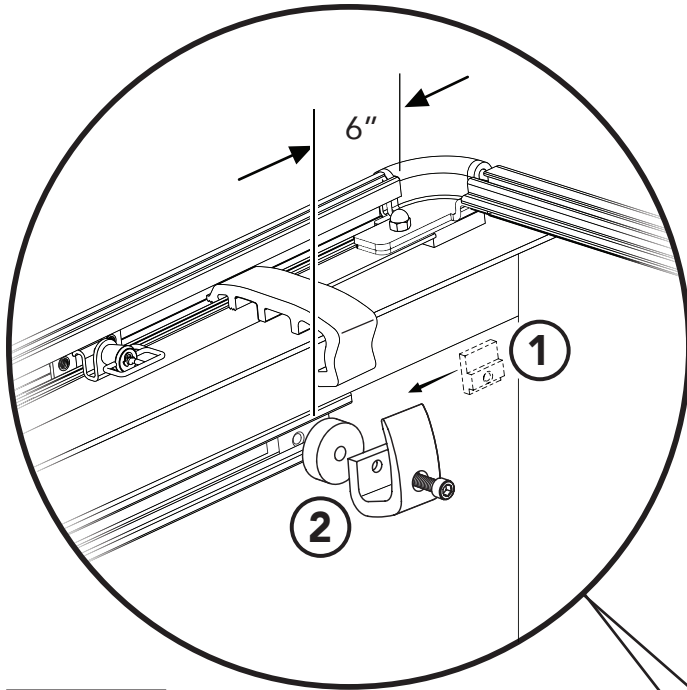
Tools



1/4" Allen
Wrench



9/16" Wrench



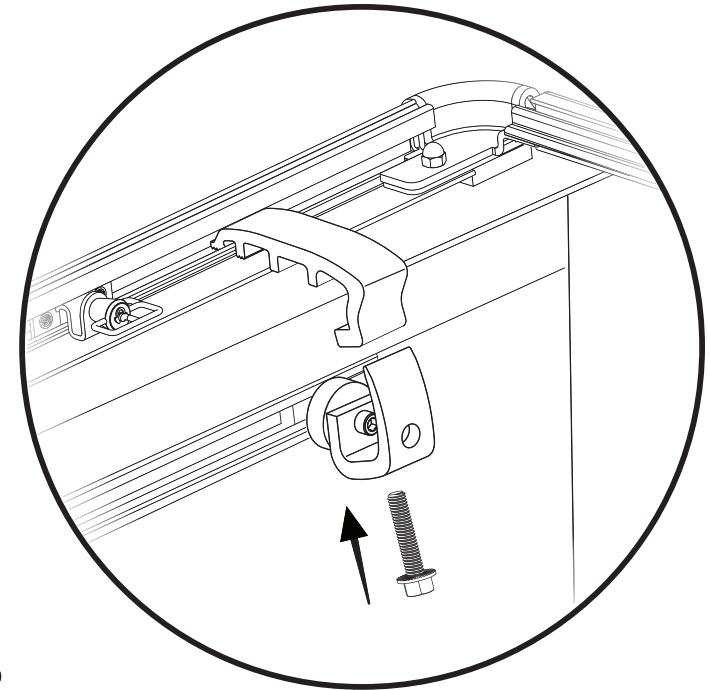
Step 1

- 1 Remove the end cap from the vehicle track system, and slide the Track Block #581.61 into the track.

The Track Block should be located 6" from the end of the Front Side Rail.

- 2 Attach the 1/2" Spacer #581.63 and the Lower Clamp #582.07 to the Track Block using the 1.5" Socket Bolt #581.77. Tighten using a 1/4" Allen Wrench.

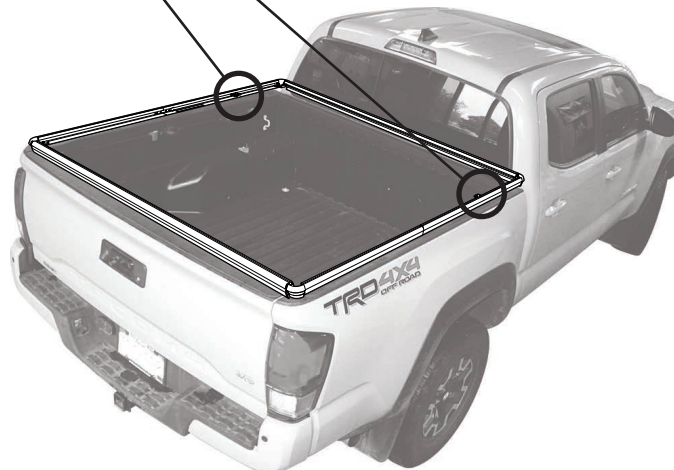
Complete the same steps on the opposite side of the vehicle.



Step 2

Align the Pre-installed Upper Clamp to the Lower Clamp #582.07, using Hex Bolt #581.75 to tighten the two Clamps together.

Complete the same steps on the opposite side of the vehicle.

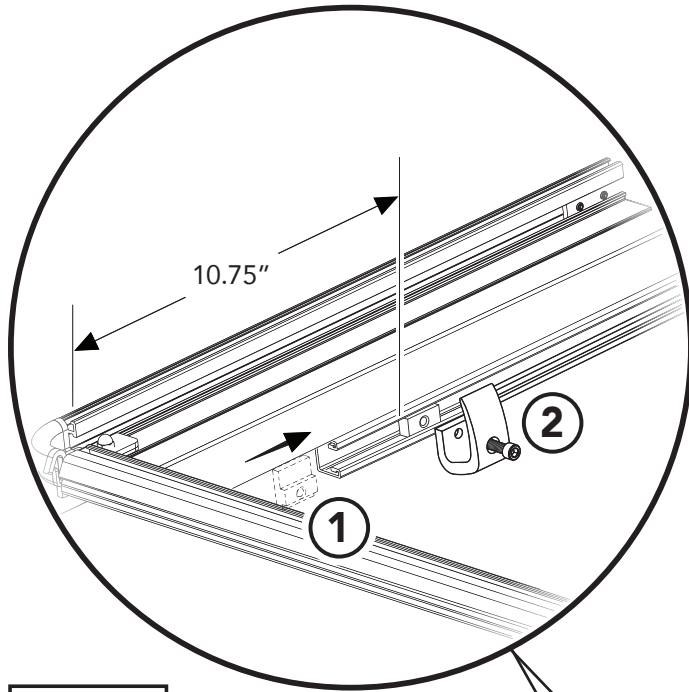


Section 5 Install Upper & Lower Rear Clamp Assembly

Step 1 582.07 581.61 581.76

Hardware

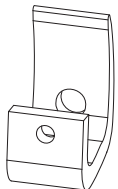
Step 2 582.06 582.07 581.75




Hex Head Bolt
Part #581.75
Qty. 4


Track Block
Part #581.61
Qty. 4


1" Socket Bolt
Part #581.76
Qty. 2


Lower Clamp
Part #582.07
Qty. 2


Rear Upper Clamp
Part #582.06
Qty. 2

Tools


1/4" Allen
Wrench


9/16" Wrench

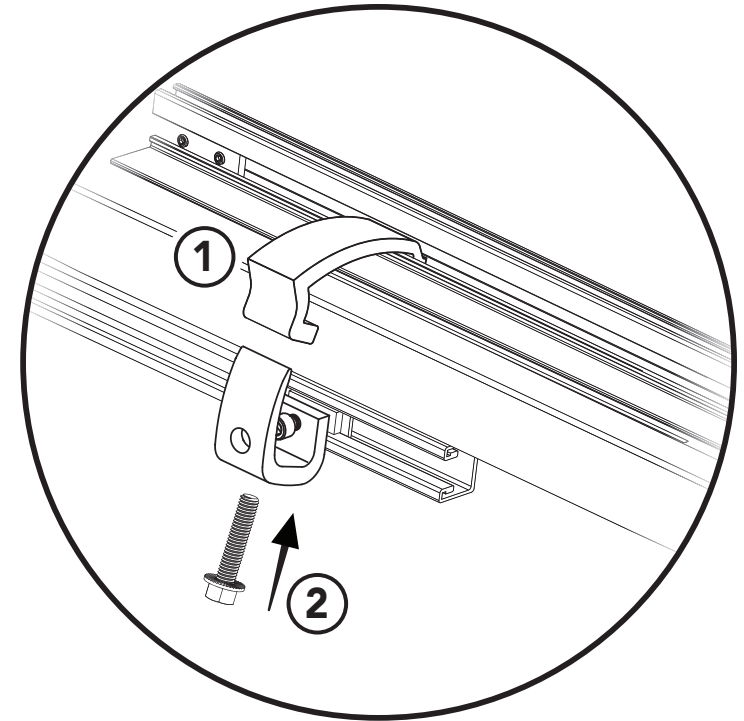
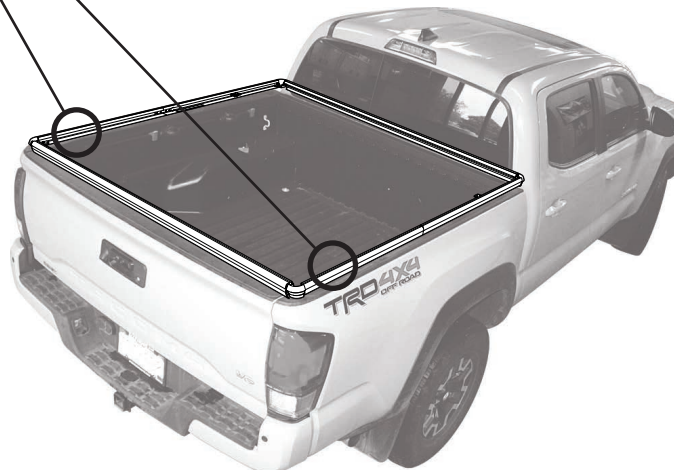
Step 1

- 1 Remove the end cap from the vehicle track system, and slide the Track Block #581.61 into the track.

The Track Block should be located 10.75" from the end of the Rear Side Rail.

- 2 Attach the Lower Clamp #582.07 to the Track Block using the 1" Socket Bolt #581.76. Tighten using a 1/4" Allen Wrench.

Complete the same steps on the opposite side of the vehicle.



Step 2

- 1 Insert the Rear Upper Clamp #582.06 into the Side Rail and align with the Lower Clamp #582.07.
- 2 Use Hex Bolt #581.75 to attach the Rear Upper Clamp #582.06 to the Lower Clamp #582.07, and tighten.

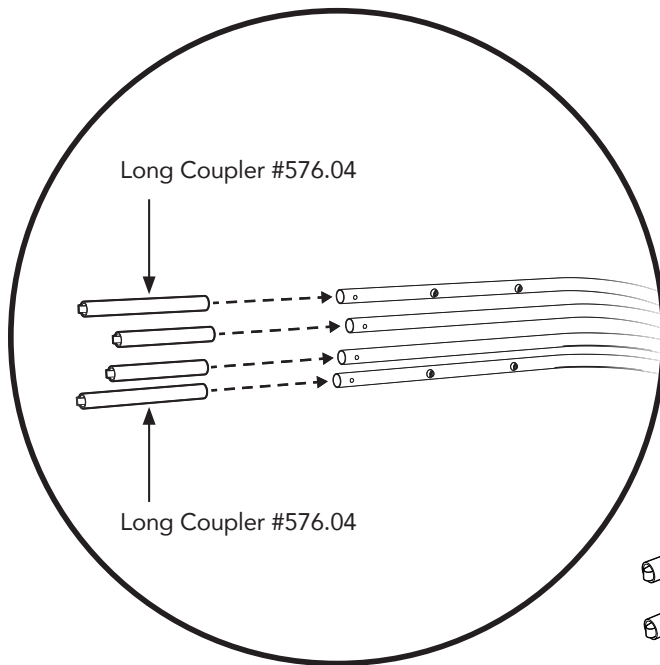
Complete the same steps on the opposite side of the vehicle.

Section 6 Assemble Bows

Step 1 576.04 576.05 579.42 579.43

Hardware

Step 2 579.42 579.43

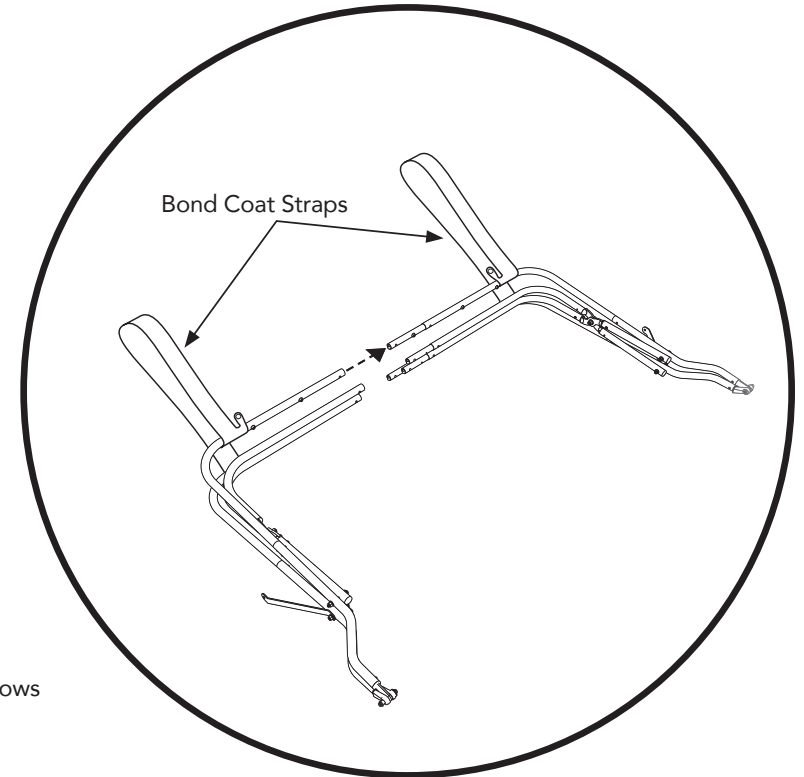


Bow Stack - Driver Side
Part #579.43
Qty.1

Bow Stack - Passenger Side
Part #579.42
Qty.1

Bow Coupler #1 & #4 Bows
Part #576.04
Qty. 2

Bow Coupler #2 & #3 Bows
Part #576.05
Qty. 2



Step 1

Attach Bow Couplers #576.04 and #576.05 to the Passenger Side Bow Stack #579.42.

Insert Long Couplers #576.04 into the outer bows #1 and #4.

Insert Short Couplers #576.05 into the inner bows #2 and #3.

For Easier Installation:

Slide all bows and couplers together before snapping the spring clips into the holes in the bows.



Step 2

Attach Driver Side Bow Stack #579.43 to Passenger Side Bow Stack #579.42.

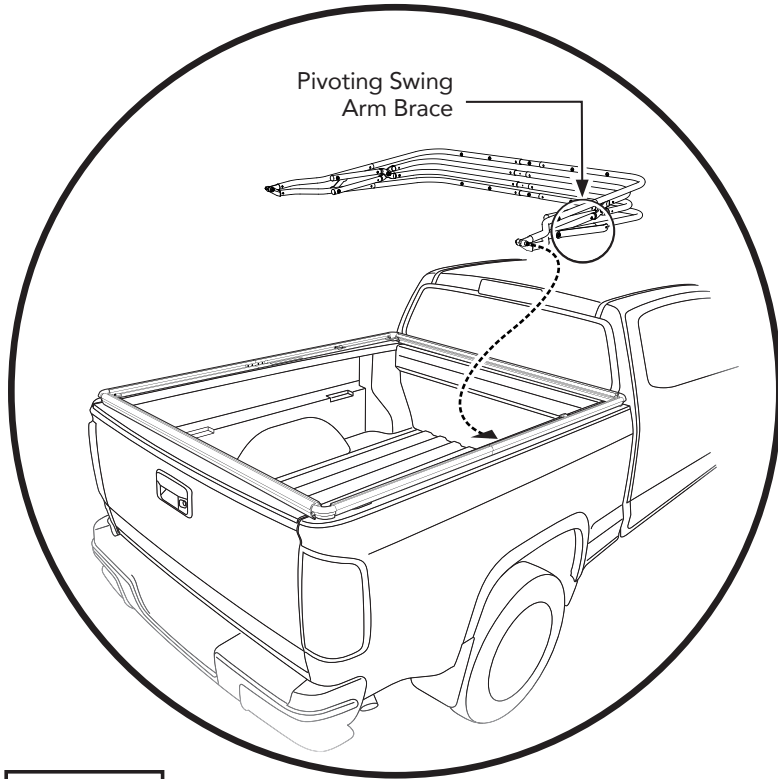
Bow Stacks attach using the Couplers installed in Step 1.

Slide the Couplers installed in the Passenger Side Bow Stack into the ends of the bows on the Drivers Side Bow Stack.

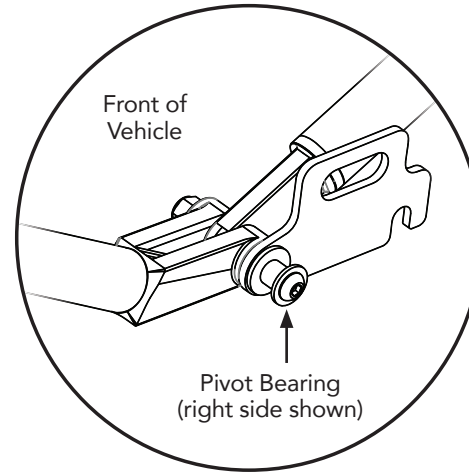
NOTE: Before attaching couplers to bow stacks, make sure to pull the bond coat straps out and away from the bows, and lay them flat.

Section 7 Install Bow Assembly

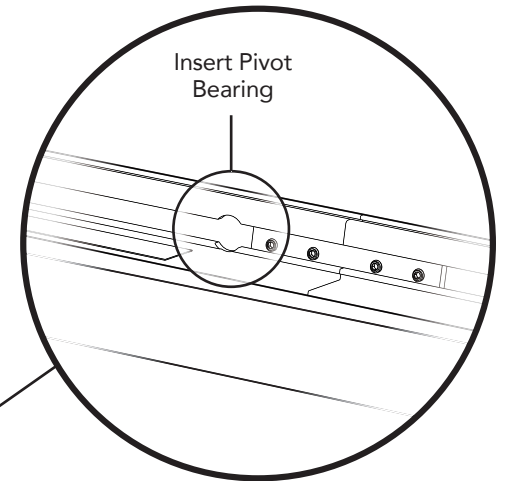
Step 1 Bow Assembly



Details



Details

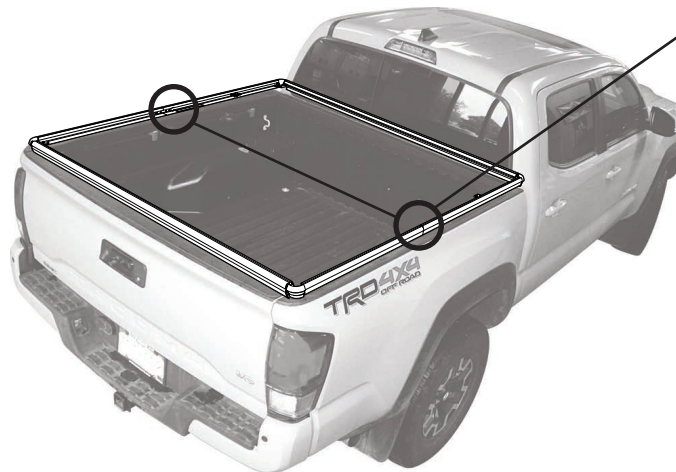


Step 1

NOTE: Two People Are Required for This Portion of the Installation Process.

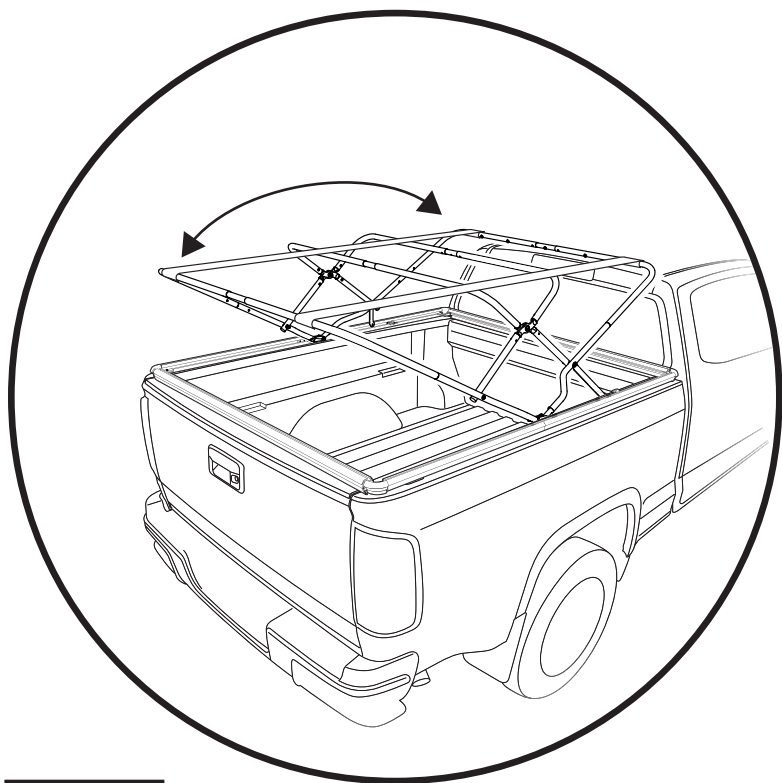
Place the folded Bow Assembly on the Side Rails. Make sure that the pivot swing arm braces are on the lowest bow.

Insert the Pivot Bearings into the receiving holes in the inside of the side rails (see details).



Section 8 Unfold Bows; Attach Pivot Arm Brace

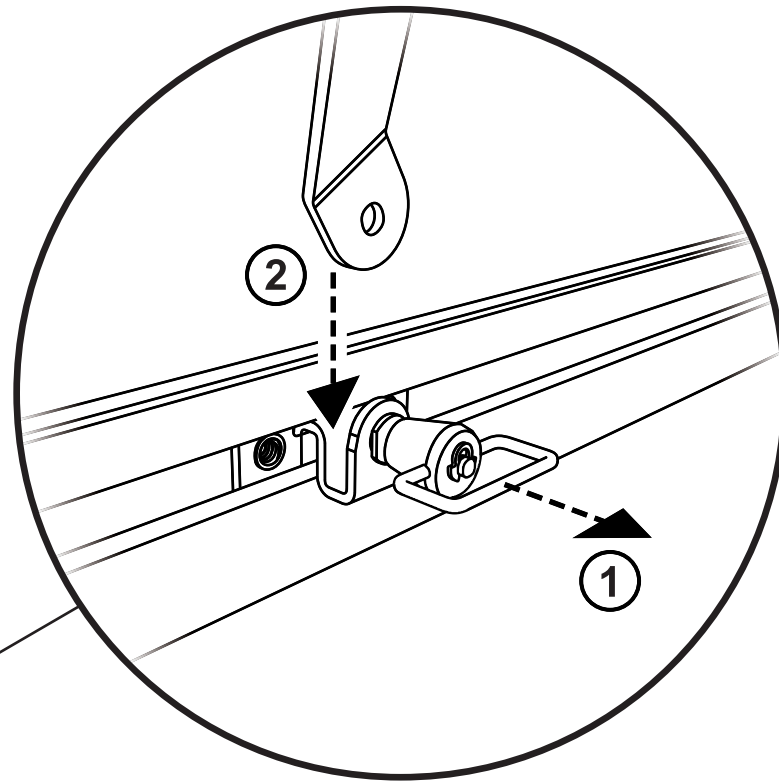
Step 1



Step 1

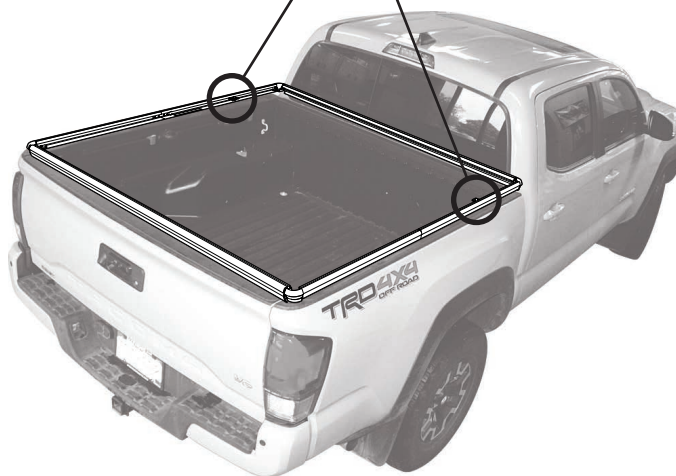
Unfold the Bow Assembly.

Step 2



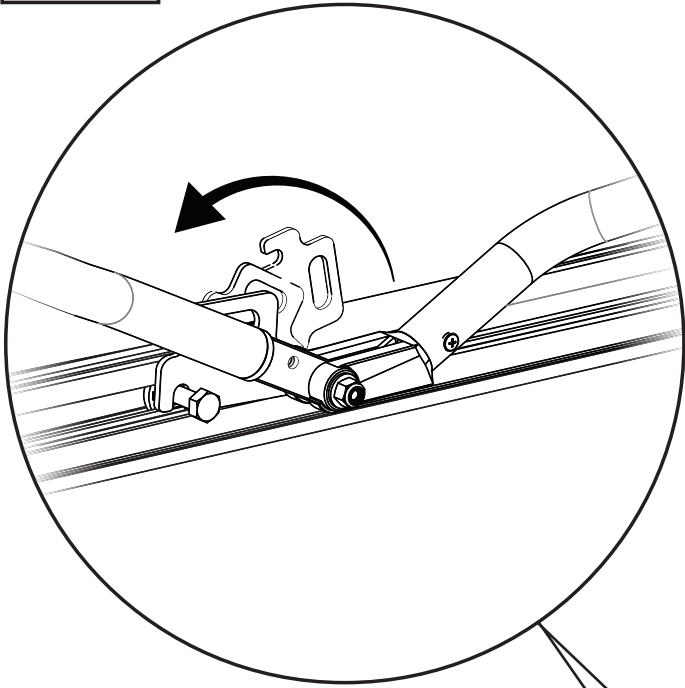
Step 2

- ① Pull back on the Pivot Knuckle release knob;
- ② Snap the Pivot Arm Brace into place, on both sides of the truck.



Section 9 Install Locking Lever

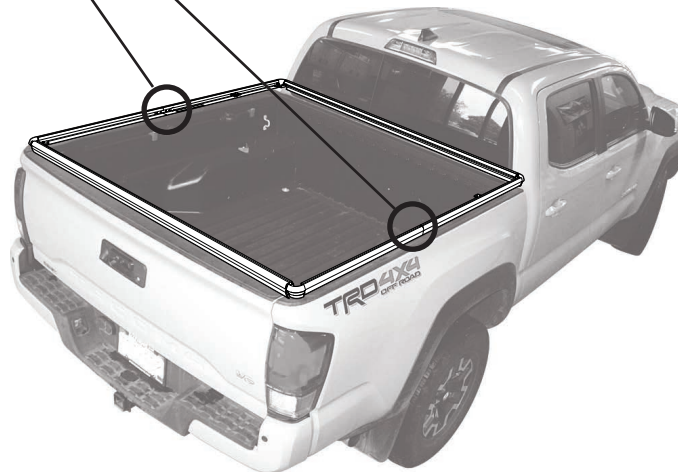
Step 1



Step 1

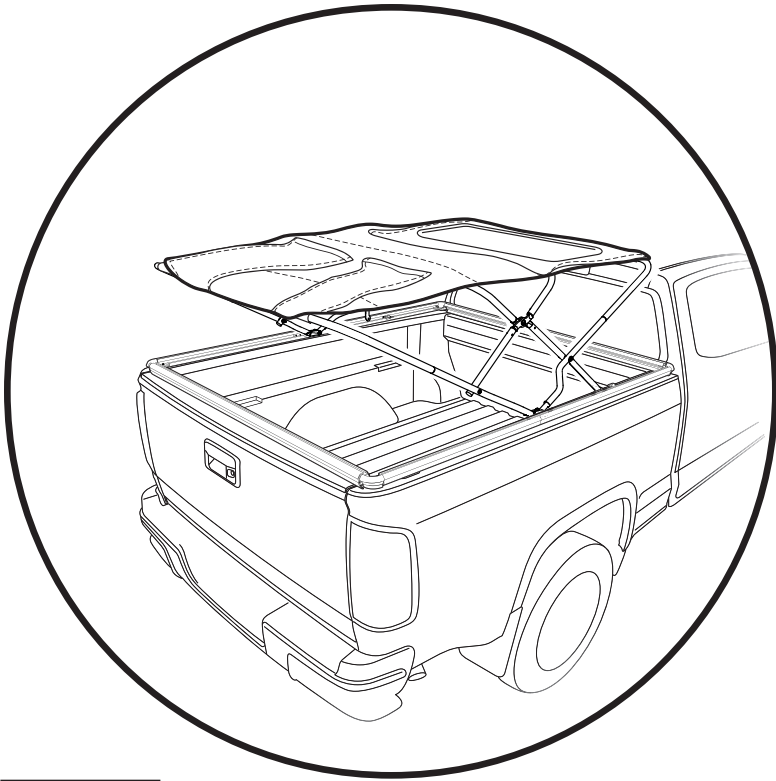
Engage the Locking Lever on both sides of the truck.

The Lever-Stop assemblies are pre-installed at the factory at 27.75" from the front edge of each Side Rail.



Section 10 Lay Folded Top Fabric on Bows; Unfold Top Fabric

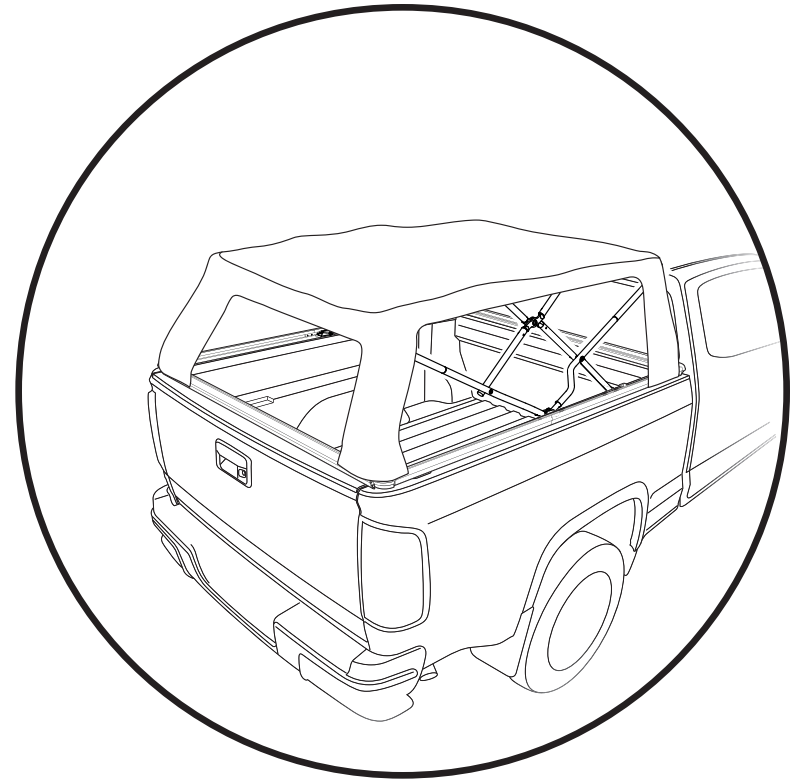
Step 1



Step 1

Place the folded Soft Top onto the unfolded Bow Assembly.

Step 2



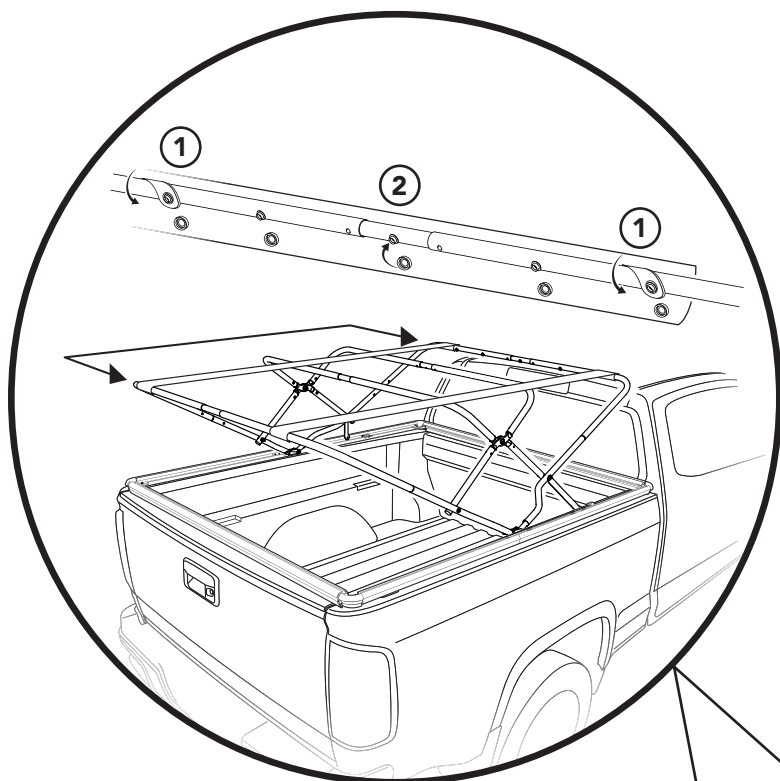
Step 2

Unfold the front and back of the Top over the #1 and #4 Bows.



Section 11 Secure Top Fabric to Bows

Step 1



Step 1

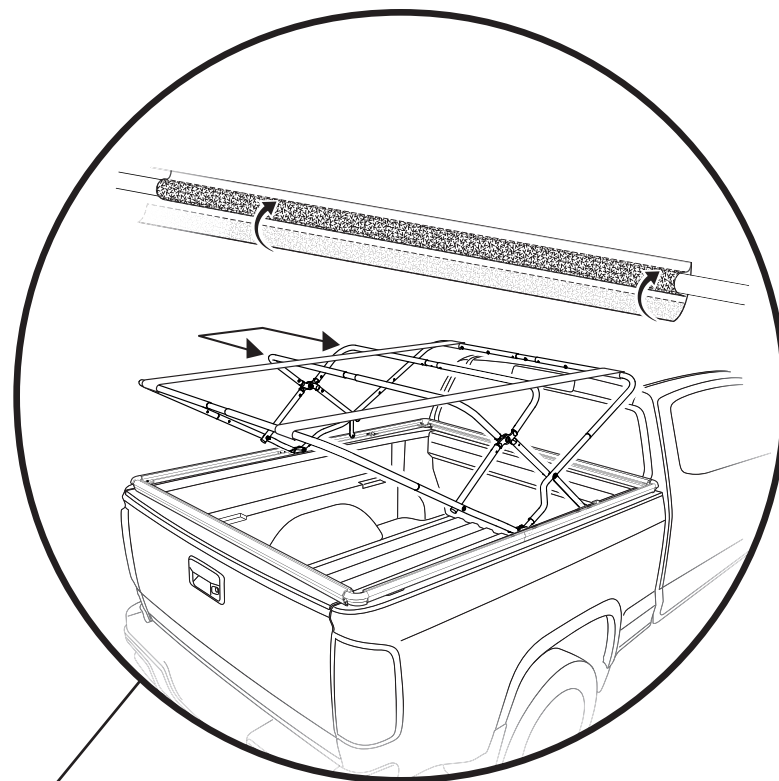
From inside the truck bed:

- 1 Wrap the small flaps with holes over the outer-most snaps on the #1 bow (Bow closest to the truck cab).
- 2 Wrap the fabric flap around the #1 Bow and snap all five snaps to secure the fabric to the Bow.

NOTE: Secure the outer snaps before securing the center snaps.

Repeat for the #4 Bow (Bow closest to the truck tailgate).

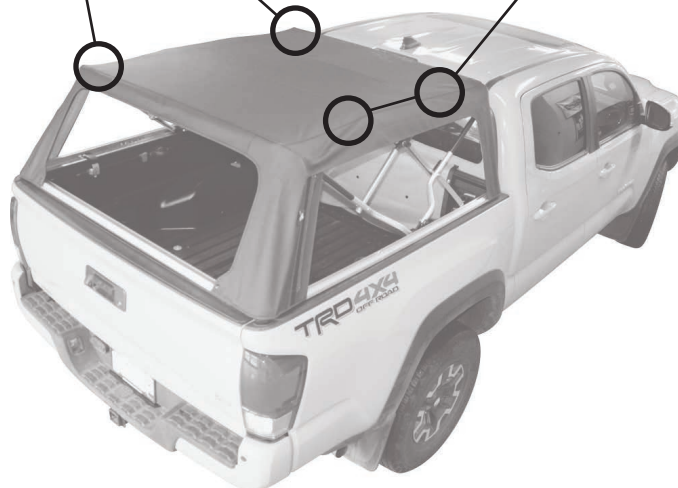
Step 2



Step 2

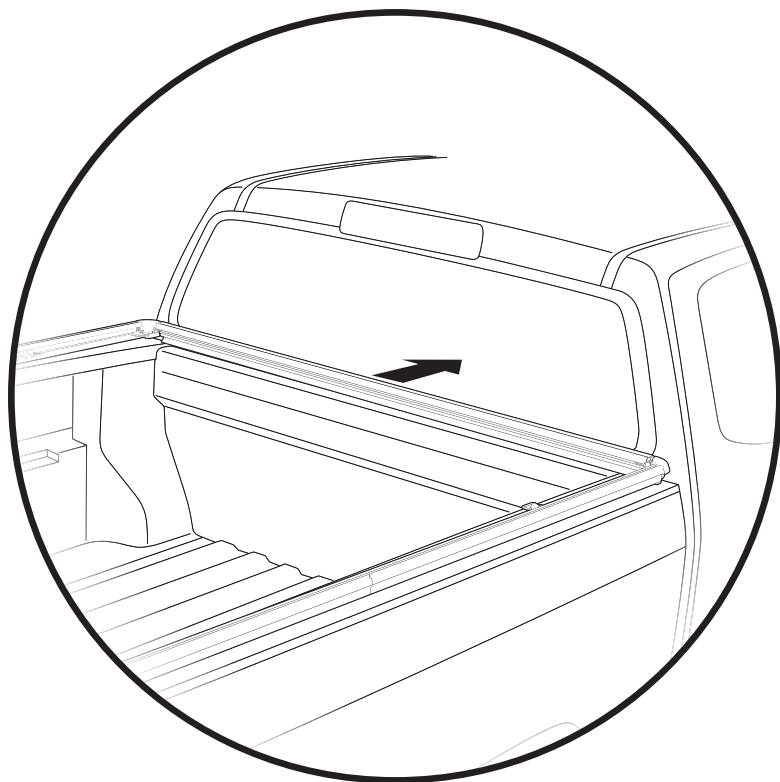
From inside the truck bed:

Wrap the fabric flaps with hook-and-loop around the #2 and #3 bows (the two middle bows) to secure the top fabric to these Bows.

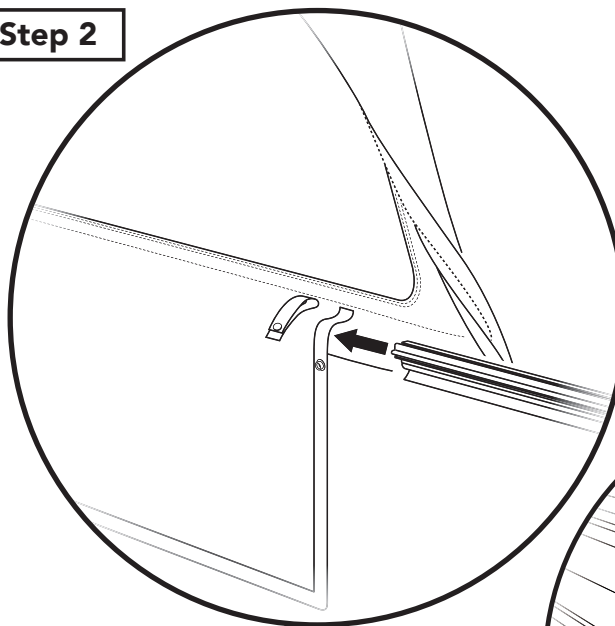


Section 12 Slide Front Rail into Front Window

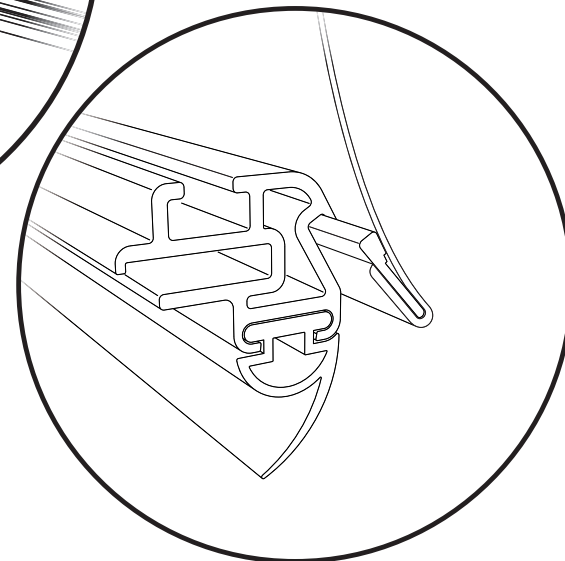
Step 1



Step 2



Detail



Step 1

Remove the front rail, by sliding it toward the front of the truck bed.



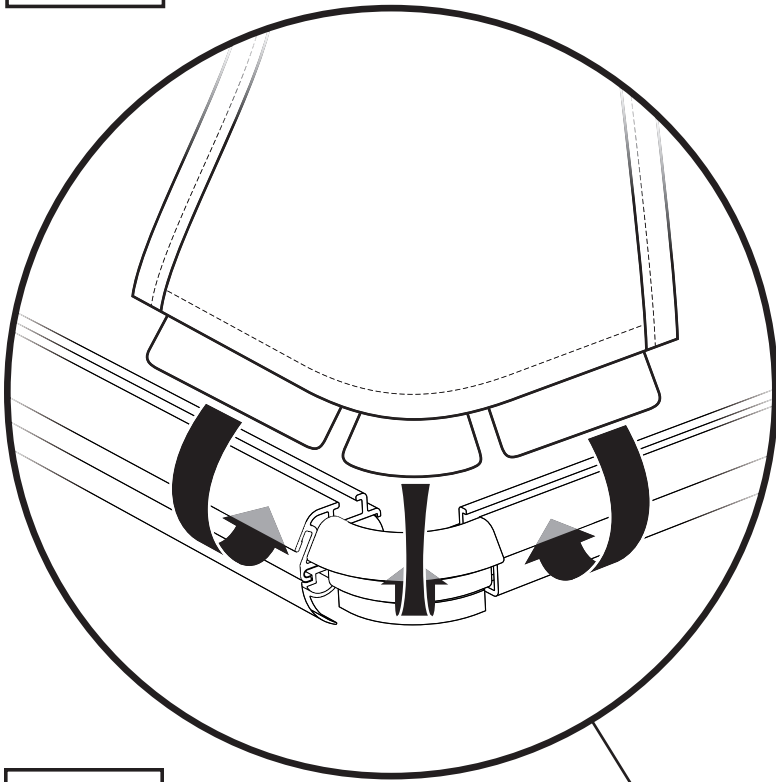
Step 2

Slide the Front Rail into the sleeve at the bottom of the Front Window, and re-attach it at the front of the Side Rails.

The Front Rail extrusion should slide over the plastic tab along the bottom of the front window. See Detail above.

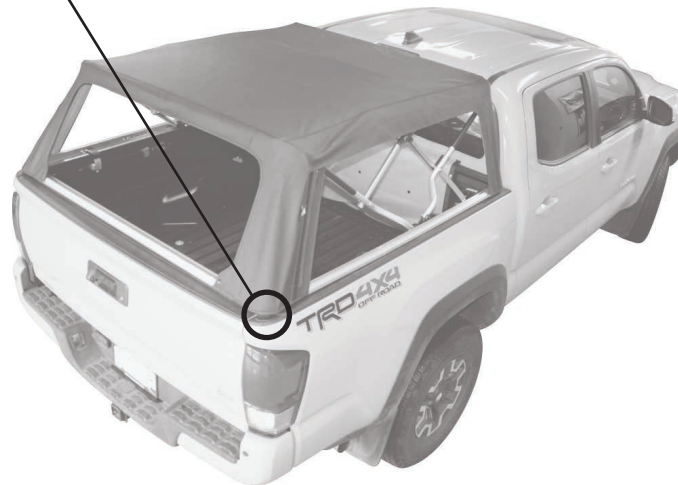
Section 13 Tuck Plastic Tabs at Bottom of Curtains and Corners into Rails

Step 1



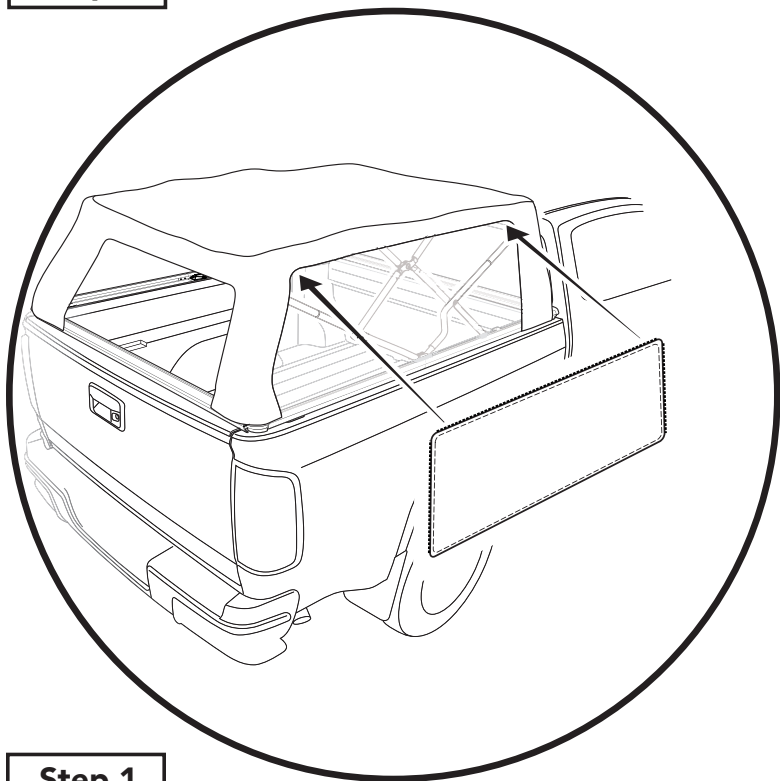
Step 1

Tuck the plastic tabs at the bottom of each corner of the top into the slots in the Side Rails and Front and Rear Rails.



Section 14 Tighten Adjustment Screws; Install Side Curtains

Step 1



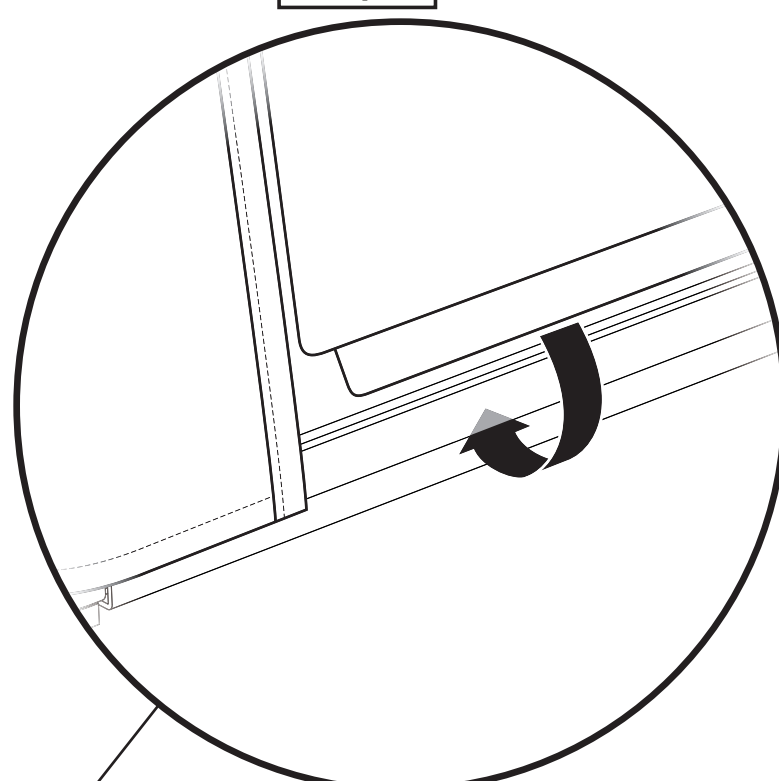
Step 1

Zip the Rear Window and Side Curtains into place.

Start with the zipper along the top edge of each panel, and then follow with the side zippers.

For easier access to the zippers, you may want to lift the corners of the top onto the roof fabric.

Step 2



Step 2

Tuck the plastic tab along the bottom edge of each Side Curtain into the slot along the side of each Side Rail.

Tuck the plastic tab along the bottom of the Rear Window into the slot along the side of the Rear Rail.

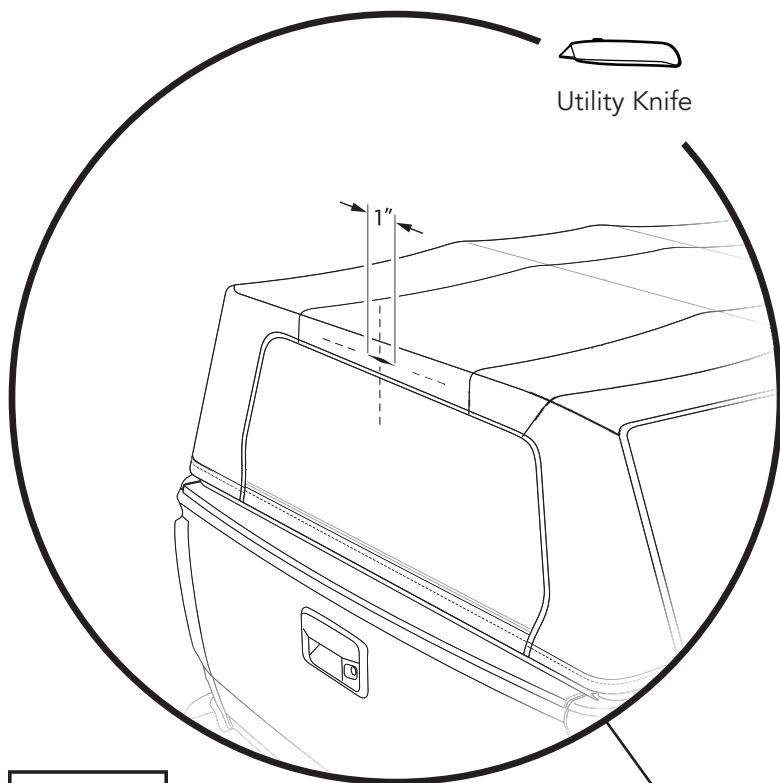


Section 15 Install Center High-Mount Stop Light

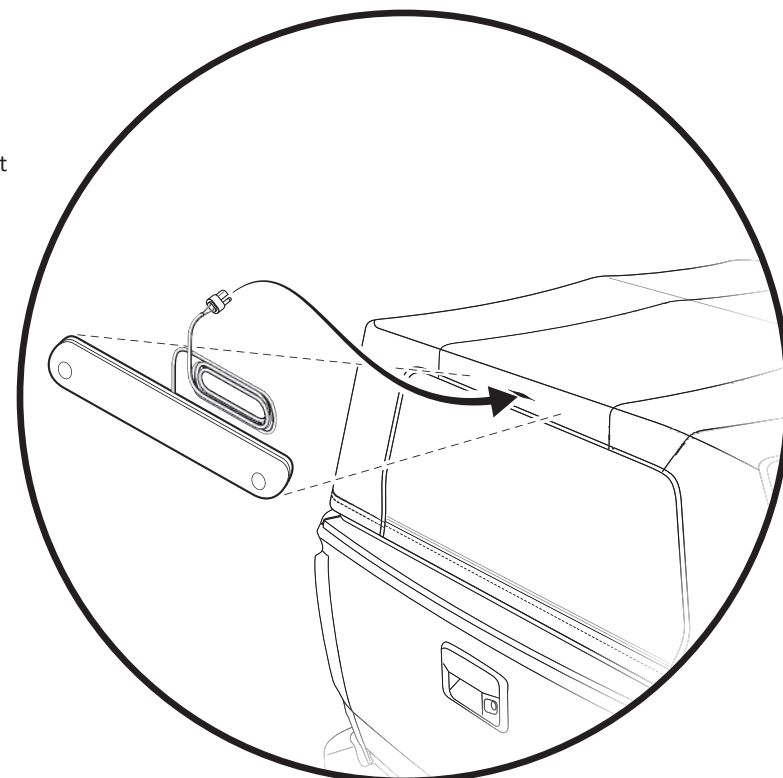
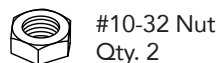
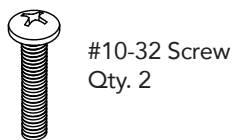
Step 1

Hardware Kit #576.71

Step 2 CHMSL



Utility Knife



Step 1

Using a utility knife, cut a 1" wide slit through both layers of fabric in the area above the middle of the rear window, and in the vertical center of the fabric.



Step 2

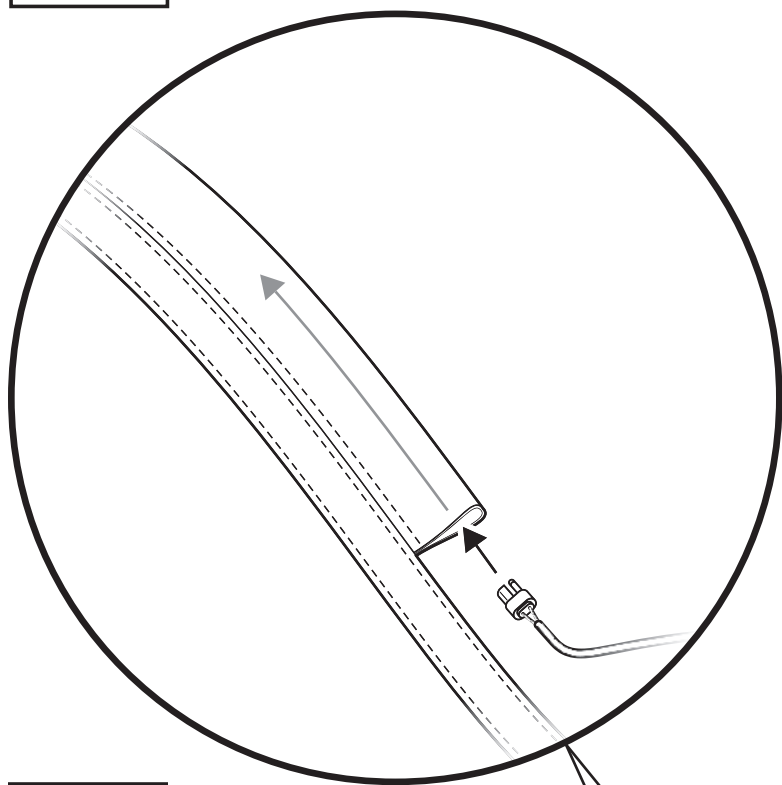
Feed the connector end of the CHMSL wire harness through the slit in the top fabric, and pull the wire all the way through.

Make sure that the light is centered, straight and level, and attach the Stop Light to the top fabric using two (2) 10-32 Screws, two (2) Flat Washers and two (2) 10-32 Nuts. The Nuts and Flat Washers go on the inside of the fabric.

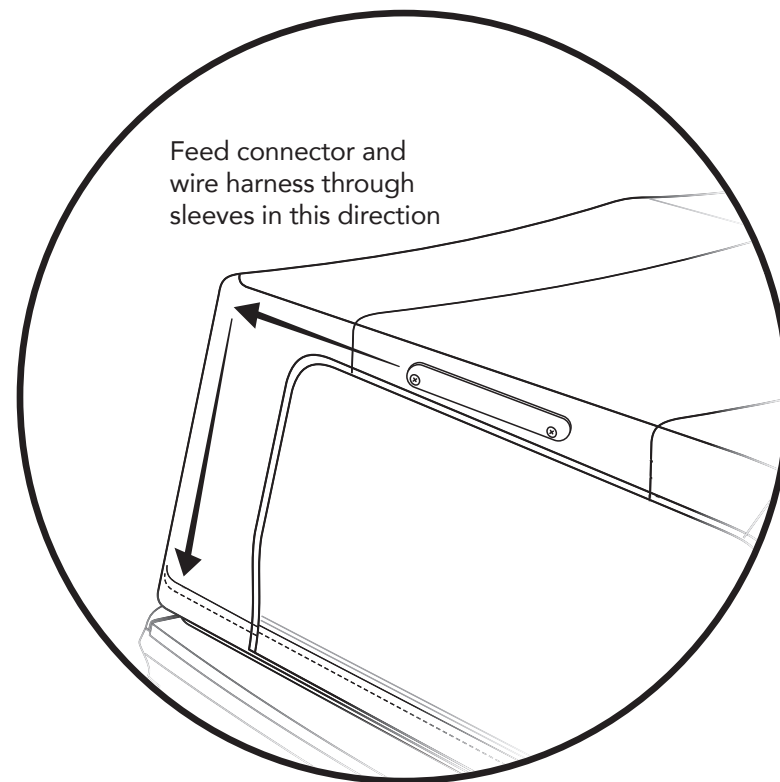
You'll need to pierce the fabric for the screws to go through.

Section 16 Feed Wire Harness Through Sleeves

Step 1



Detail



Step 1

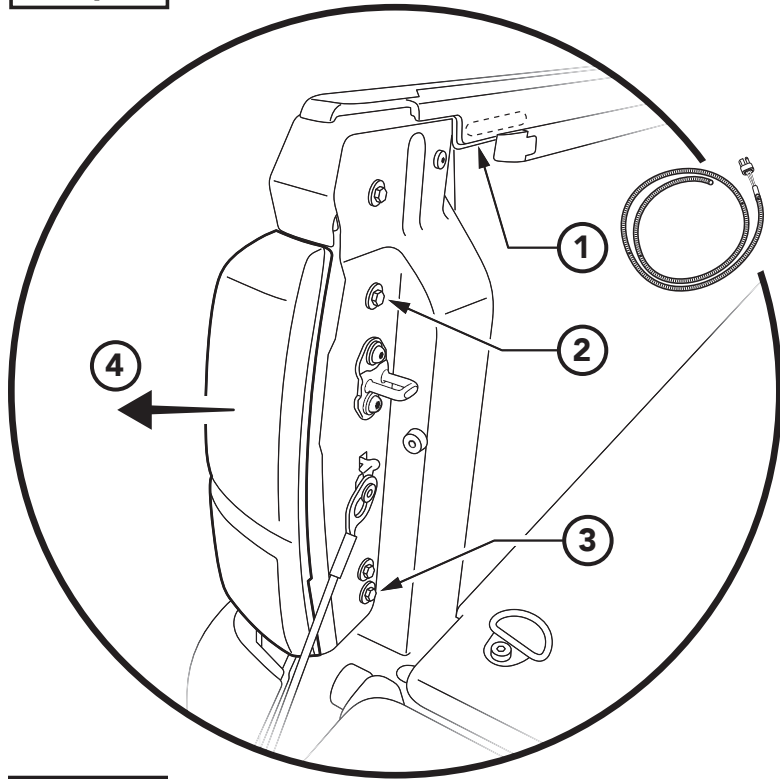
Feed the connector and wire harness through the fabric sleeves on the inside of the top.

The sleeves run across the top and down the rear corner of the top fabric.
(See Detail)

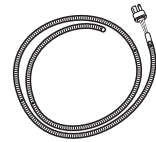


Section 17 Install 29' Wire Harness & Splice Into Existing Wiring

Step 1



Hardware



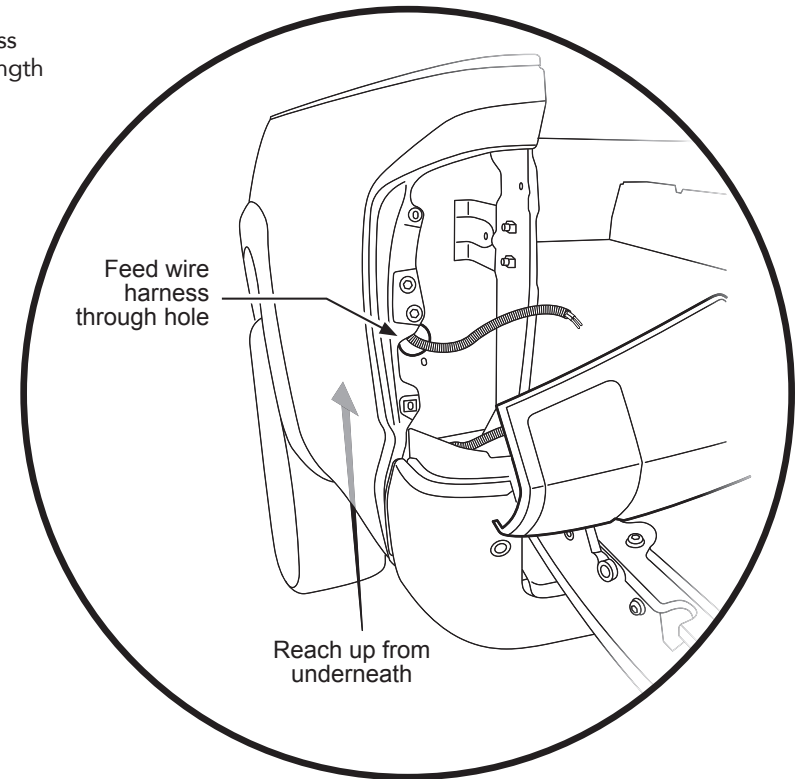
Wire Harness
Cut to 3' length
Qty. 1

Tools



Wire Cutter

Step 2 577.58



Step 1

Cut the 29" wire harness 3' (36") from the end with the connector. Feed the cut end underneath the vehicle bed rail cap at location ① and through the slot underneath the edge of the cap. Leave about 5" of the wire harness with the connector inside the vehicle bed.

Remove the driver's side tail light assembly.

Remove hex-head screws ② and ③ using a 10mm socket. ④ pull the driver's side tail light assembly away from the vehicle fender, and set it on the tailgate.

Step 2

Reach up between the outer and inner fender to feed the 3' wire harness through the hole in the tail light receiver portion of the fender.

Pull the wire harness through the hole, and clip the end so it will reach the tail light wires with a bit of slack.

Section 18 Attach Wire Harness Wires to Tail Light Wires

Step 1 577.58

Hardware

Step 2 577.58

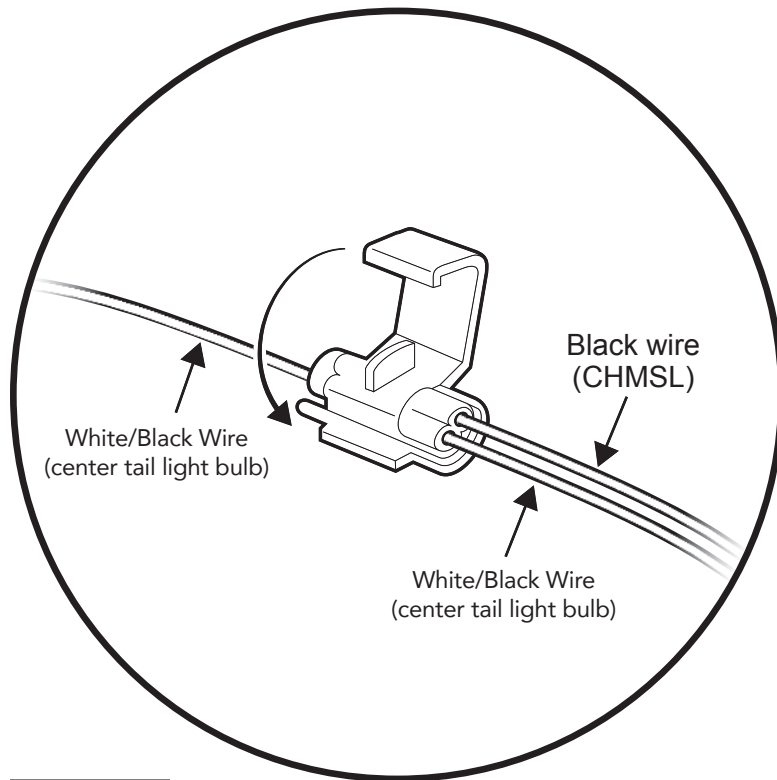


Wire Tap
Part #577.58
Qty. 2

Tools



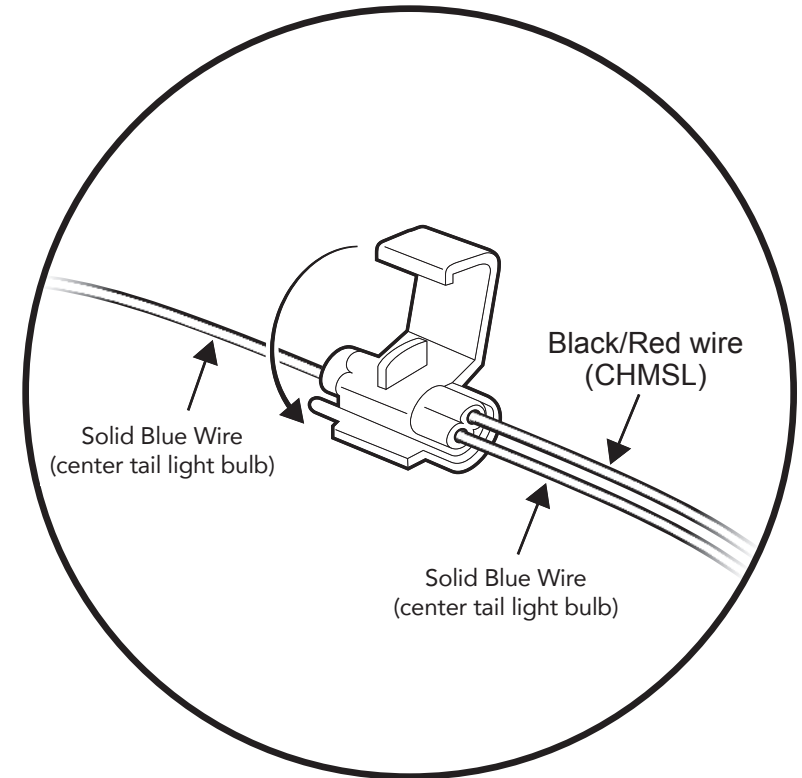
Pliers



Step 1

On the back side of the driver-side tail light, locate the White/Black and the solid Blue wires going to the center bulb (brake light bulb).

Splice the White/Black wire from the tail light center bulb to the solid Black wire from the CHMSL, using a Wire Tap #577.58 and a pair of pliers.

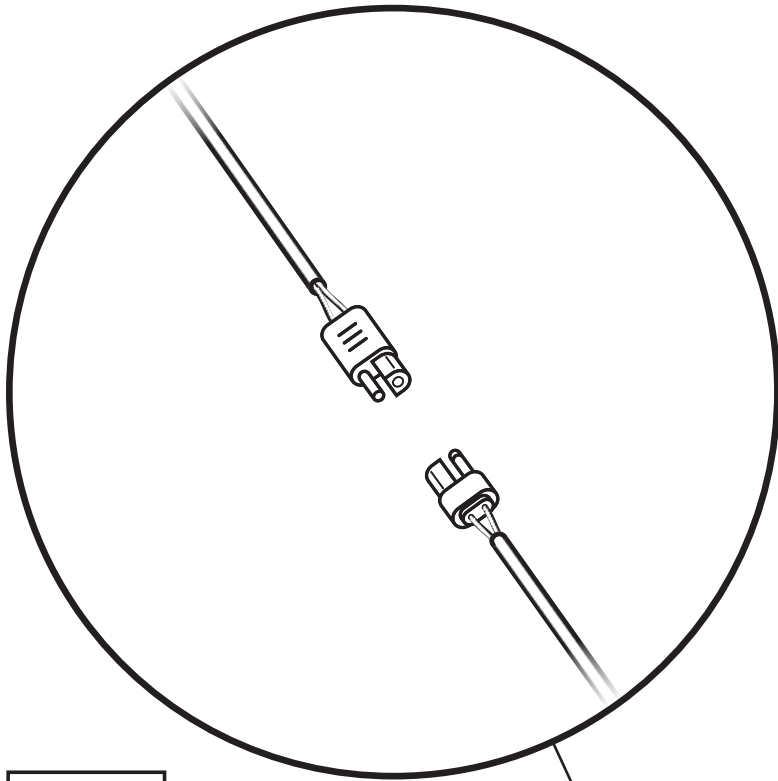


Step 2

Splice the Solid Blue wire from the tail light center bulb to the Black-Red wire from the CHMSL, using a Wire Tap #577.58 and a pair of pliers.

Section 19 Plug CHMSL Wire Harness Connectors Together

Step 1



Step 1

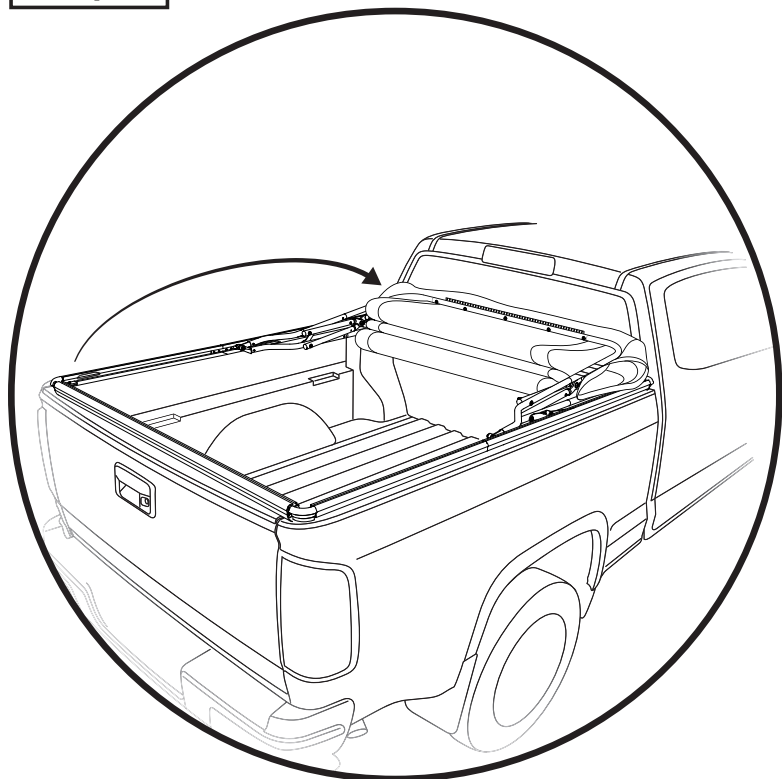
After routing the 29' Wire Harness using either Option 1 or Option 2, plug the 2-conductor connectors at the ends of the CHMSL Wire Harness and the 29' Wire Harness together.

NOTE: You must unplug these connectors before folding the top down.



Section 20 Opening and Storing the Top

Step 1



Step 1

To open the top:

Unzip and remove Side Curtains.

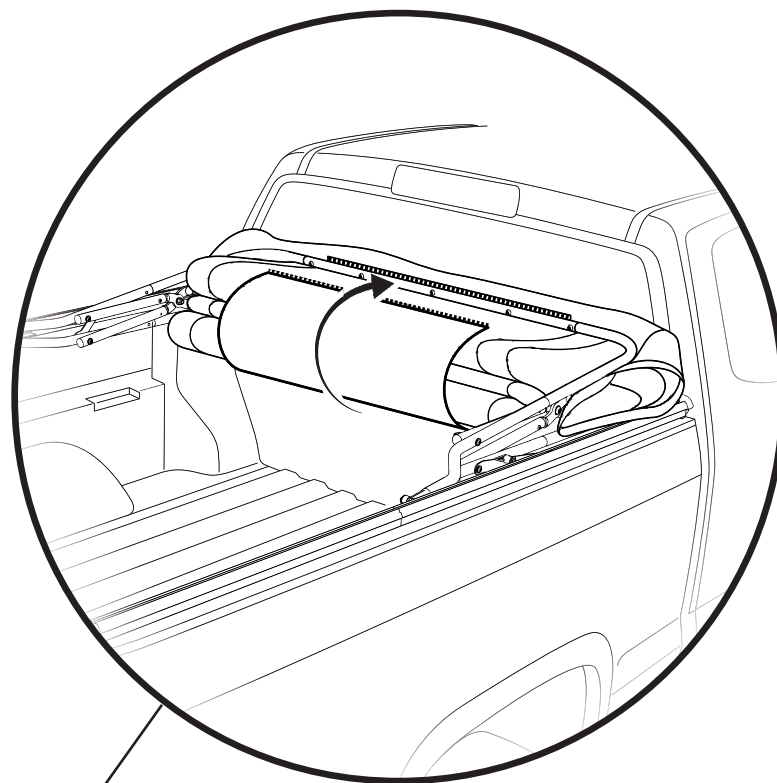
Unzip and remove Rear Window.

Release plastic tabs from rails all around.

Flip rear corners of top fabric up onto roof.

Fold the top forward so that all the bows collapse and rest on the Front Rail.

Step 2



Step 2

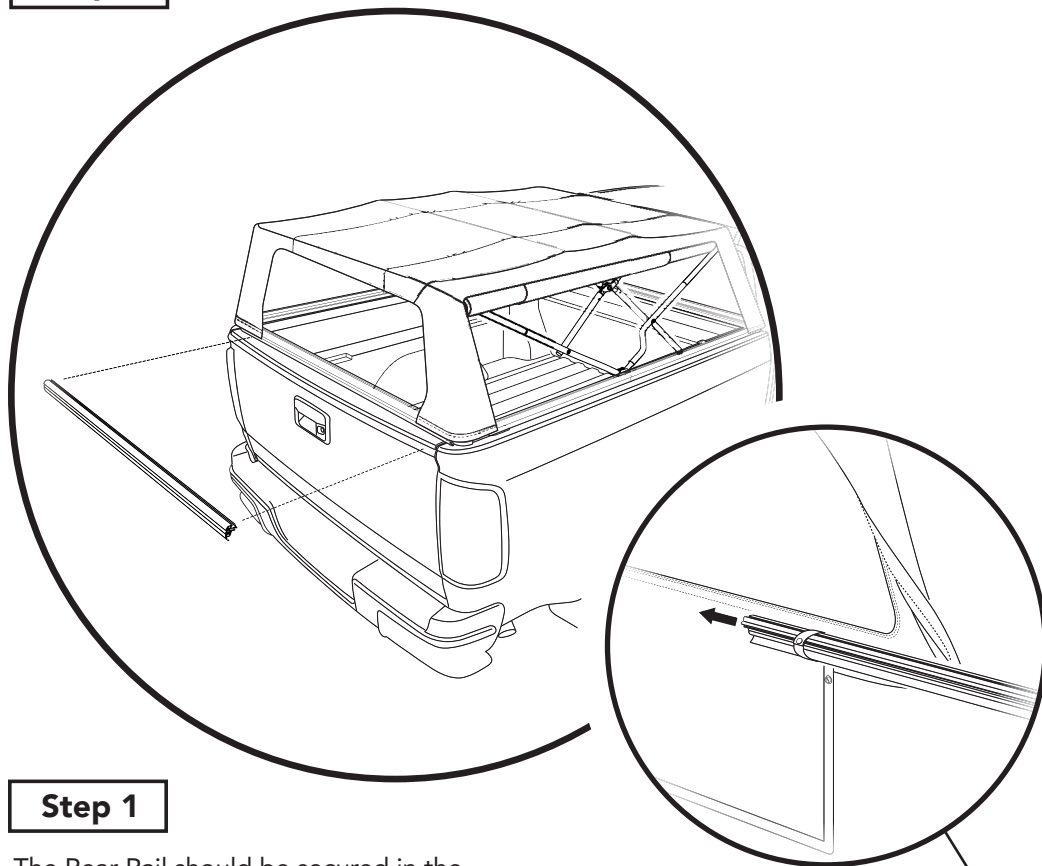
Protect the top fabric by wrapping the Boot attached to the Front Window around the Fabric and Bows.

Secure the Boot by zipping it to the zipper for the Rear Window.



Section 21 Store Rear Rail When Top is Folded Down

Step 1



Step 1

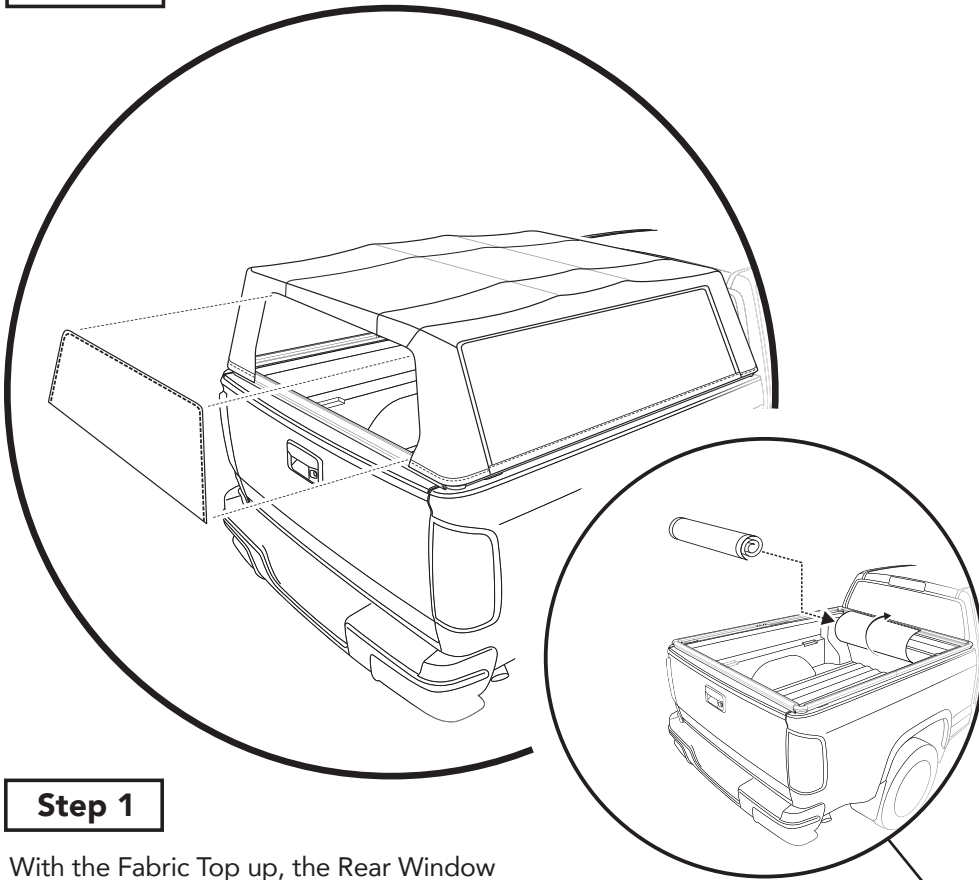
The Rear Rail should be secured in the straps at the bottom of the Front Window when the top is folded down.

Wrap the straps around the Rear Rail and snap closed.



Section 22 Storing the Rear Window; Rolling Up Side Curtains

Step 1

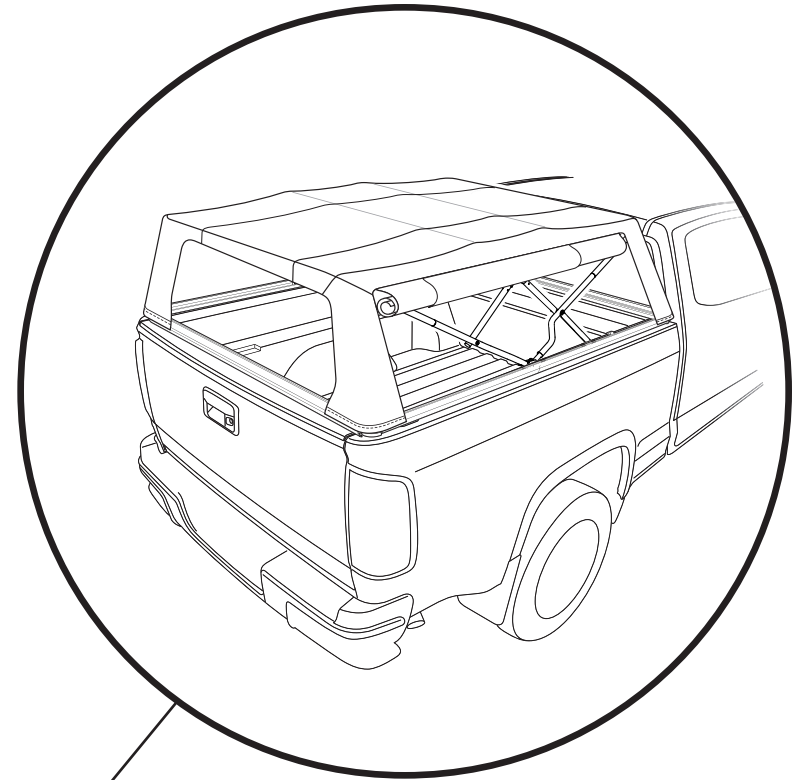


Step 1

With the Fabric Top up, the Rear Window can be stored in the Boot attached to the bottom of the Front Window.

Place the rolled-up Rear Window in the Boot, and zip the Boot closed.

Step 2



Step 2

With the Fabric Top up, the Side Curtains can be rolled up and secured with attached side flaps.

