



Installation Instructions Roughrider Tailgate Shelf

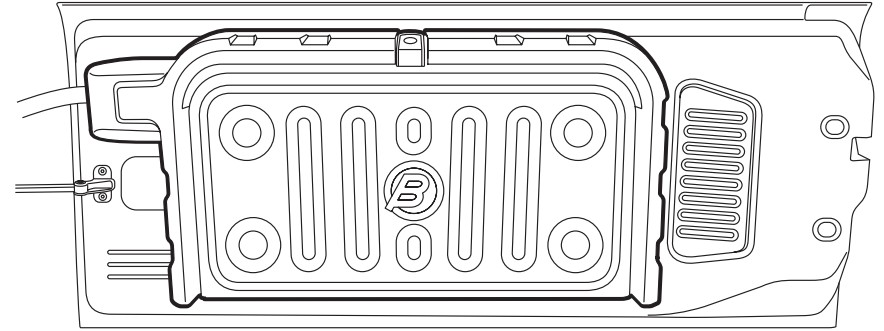
Vehicle Application:
Jeep® Wrangler & Wrangler Unlimited 2007-Current
Part Number 54140

Installation Tips

Before you begin installing your new Roughrider Tailgate Shelf, please read all the instructions thoroughly.

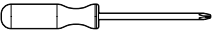



WARNING Do not rely in any way on the components of this product to protect against injury or death in the event of an accident. Never operate the vehicle in excess of manufacturer's specifications.

Read and follow, precisely, all installation instructions provided when installing this product. Failure to do so may result in a poor fit and could place occupants of the vehicle in a potentially dangerous situation.



WEAR SEAT BELTS AT ALL TIMES

CAUTION Safety glasses should be worn at all times when installing this product.

Tools		Installation Time	
 Phillips Screwdriver	 Safety Glasses	 15 minutes	
		Skill Level	
			
		1 - Easy	

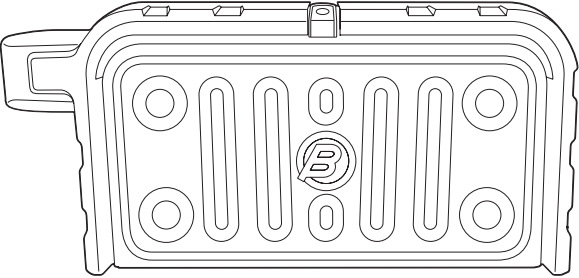
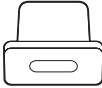
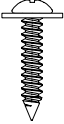


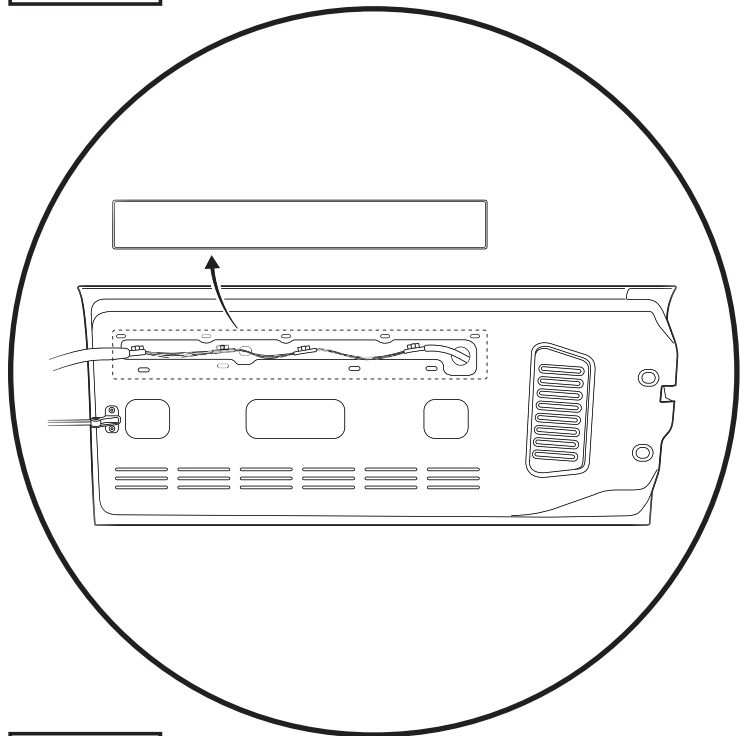
Installation Instructions Roughrider Tailgate Shelf

Vehicle Application:
Jeep® Wrangler & Wrangler Unlimited 2007-Current
Part Number 54140

Parts List

- Required parts for installation

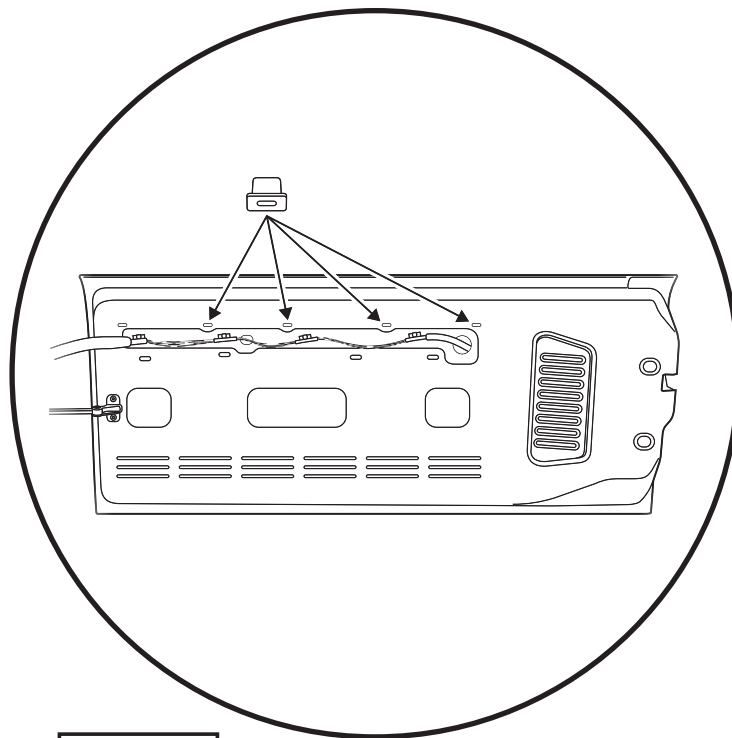
All Sections	Tailgate Shelf & Hardware	Pages 3 to 6 of Guide
 <p data-bbox="275 740 443 829">Tailgate Shelf Part #539.65 Qty. 1</p>	 <p data-bbox="995 699 1150 789">Tailgate Plug Part #499.67 Qty. 4</p>	 <p data-bbox="1556 699 1797 821">M6x18 Washer Head Screw Part #545.72 Qty. 4</p>

Step 1**Step 1**

Open the vehicle tailgate, and remove the plastic trim panel at the top inside of the tailgate.

Hardware

Tailgate Plug
Part #499.67
Qty. 4

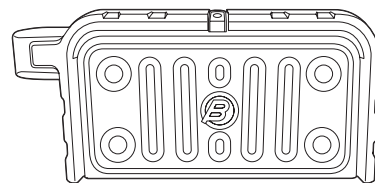
Step 2 499.67**Step 2**

Place a Tailgate Plug #499.67 into each of the 4 indicated slotted holes in the tailgate, as shown above. Do not use the left-most hole.

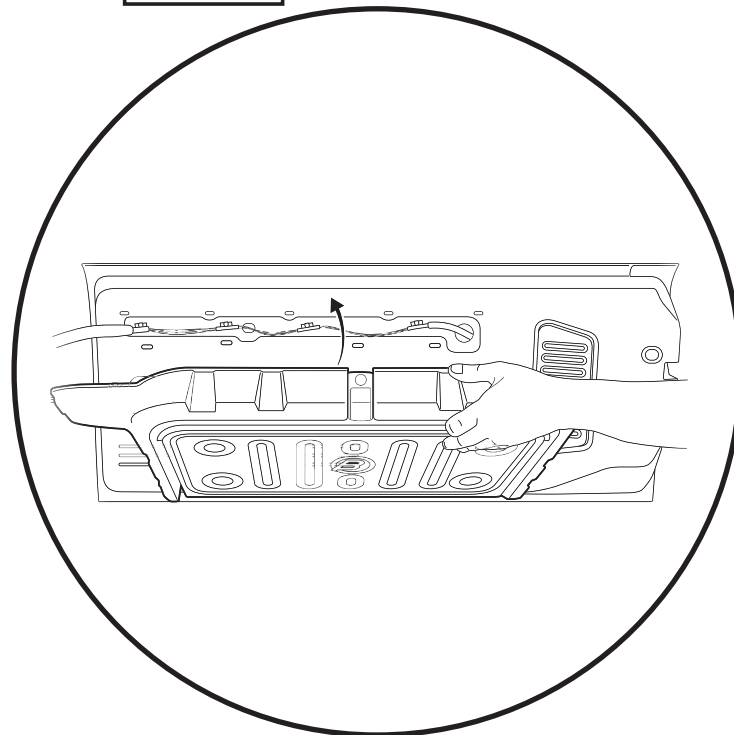
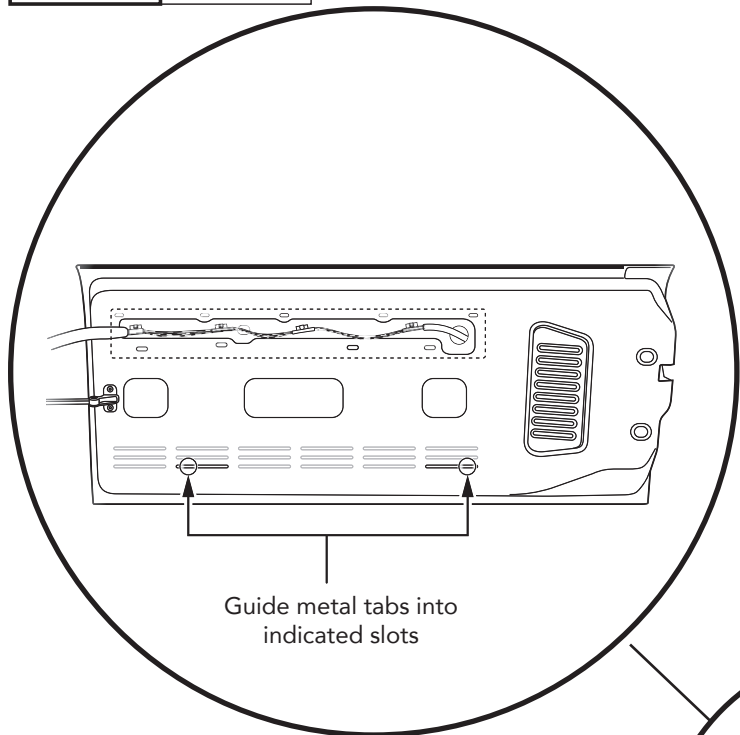
Step 1 539.65

Hardware

Step 2



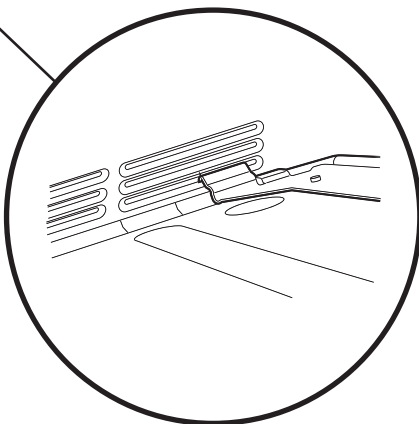
Tailgate Shelf
Part #539.65
Qty. 1



Step 1

Install the Tailgate Shelf #539.65 onto the tailgate.

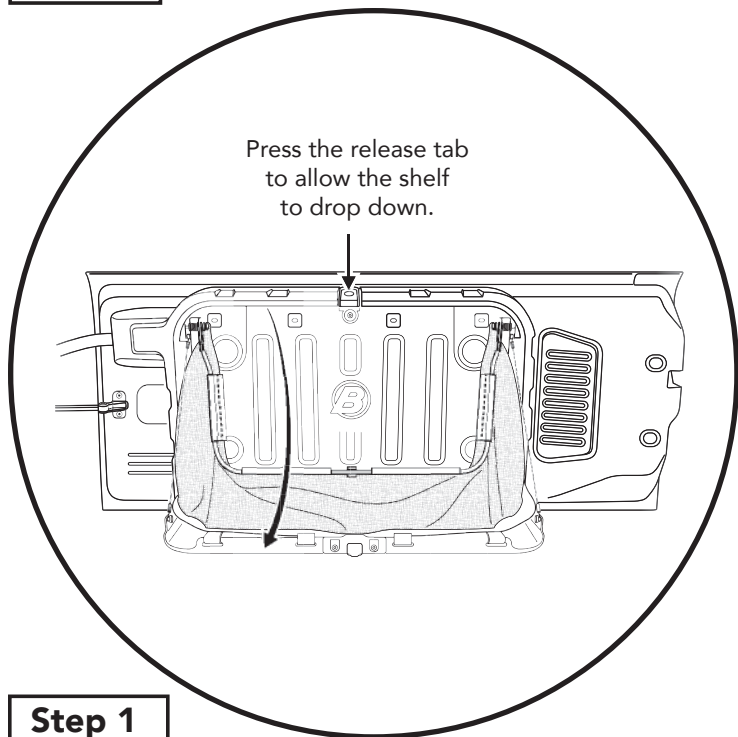
Locate the Tailgate Shelf by guiding the mounting tabs on the back side of the Shelf Assembly into the indicated slots in the lower part of the interior side of the vehicle's tailgate.



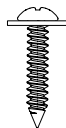
Step 2

With the metal tabs located in the slotted holes, pivot the Tailgate Shelf up and into place.

Step 1



Hardware



M6x18
Washer Head Screw
Part #371.25
Qty. 4

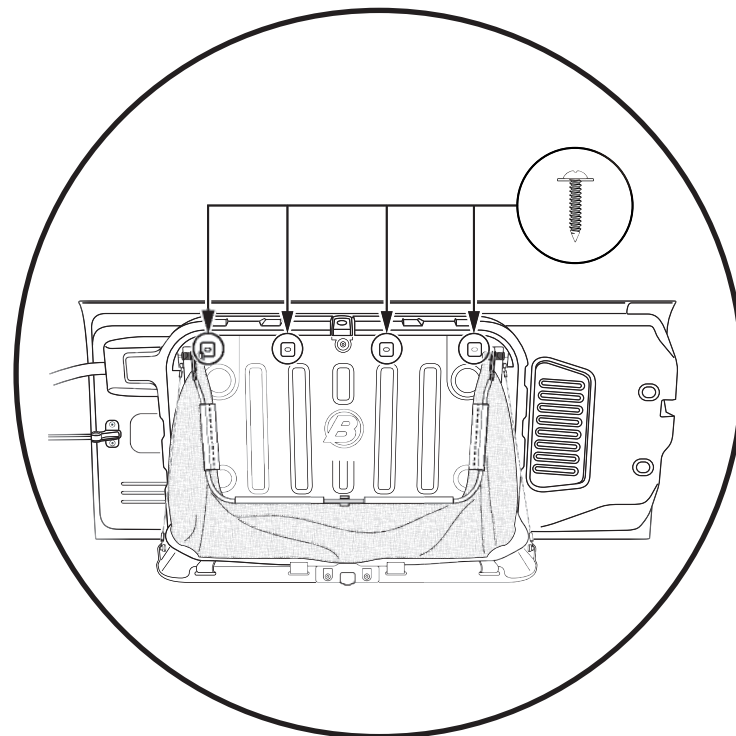
Tools



Phillips Screwdriver

Step 2

371.25



Step 1

While holding the Tailgate Shelf in place, press the release tab at the top middle of the Tailgate Shelf to release the catch and allow the shelf to drop down.

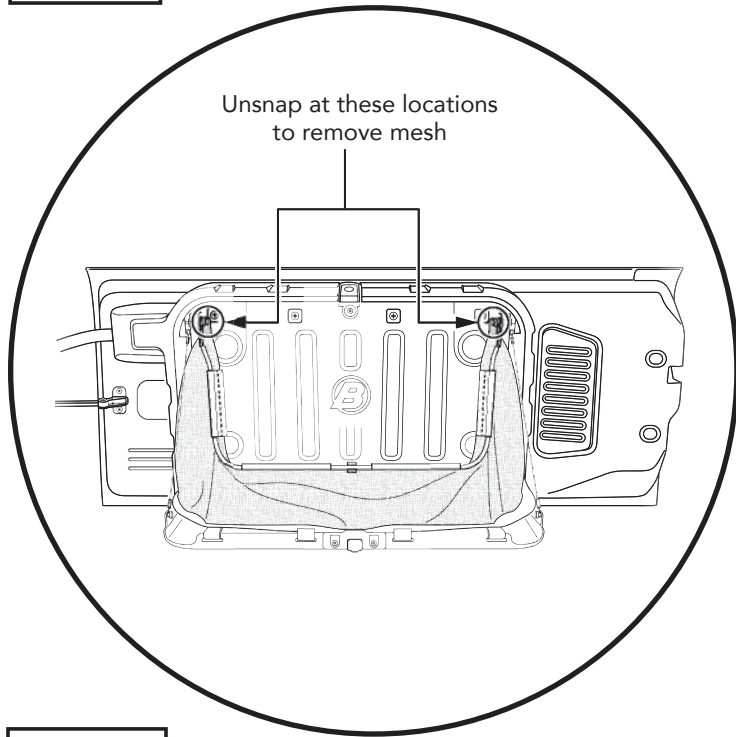
Step 2

Use the four (4) #371.25 Washer Head Screws to fasten the Tailgate Shelf to the tailgate.

Place the screws into the holes in the Tailgate Shelf with the Tailgate Plugs behind.

Use a Phillips screwdriver to tighten the screws.

Step 1



Step 1

To remove the mesh fabric, unsnap the snaps at the top left and right side pivot points.

Pivot the shelf up and snap into place to stow.