



# Installation Instructions JK 2 Door Trektop Halftop

Vehicle Application:  
Jeep® Wrangler JK 2007-2018  
Part Number 53900

## Installation Tips

**Before you begin installing your new Trektop Halftop, please read all the instructions thoroughly.**

For easier installation, the top should be installed at a temperature above 72° F. Below this temperature, the fabric may contract making it difficult to fit the vehicle.

**! WARNING** Do not rely in any way on the components of this product to protect against injury or death in the event of an accident. Never operate the vehicle in excess of manufacturer's specifications.

Read and follow, precisely, all installation instructions provided when installing this product. Failure to do so may result in a poor fit and could place occupants of the vehicle in a potentially dangerous situation.



**! CAUTION** Safety glasses should be worn at all times when installing this product.

**WEAR SEAT BELTS AT ALL TIMES**

Tools				Installation Time	Support
				<b>2 00</b> 2 Hours	We're here to help! Go to <a href="http://www.Bestop.com">www.Bestop.com</a> and click on "Need Help?"
Safety Glasses	#2 Phillips Screwdriver	Utility Knife	Vise-Grips		
T-25 and T40 Torx Driver	8mm and 3/8 " Wrench	Ratchet	Sockets: 3/8" 8mm, 13mm		
				<b>Skill Level</b>	
				<b>1 2 3 4</b>	
				<b>3 - Moderately Difficult</b>	



# Installation Instructions JK 2 Door Trektop Halftop

Vehicle Application:  
Jeep® Wrangler JK 2007-2018  
Part Number 53900

## Sugerencias de Instalación

**Antes de empezar a instalar esta unidad, lea atentamente todas las instrucciones.**

### Para un buen ajuste:

Para facilitar la instalación, el producto debe instalarse a temperaturas superiores a 72 °F (22 °C).

Por debajo de esta temperatura, la tela puede encogerse una pulgada o más, lo que dificultaría su ajuste al vehículo.

Es normal que la tela se contraiga o arrugue cuando está guardada en la caja de empaque. A los pocos días después de la instalación, la tela se relajará y las arrugas desaparecerán.



### ADVERTENCIA

Este producto se diseñó principalmente para mejorar la apariencia del vehículo y proteger a los ocupantes de las condiciones climáticas comunes. De ninguna manera piense que los componentes de este producto pueden servir como medio de contención para los ocupantes del vehículo o que pueden protegerlos contra lesiones o la muerte en caso de accidente. Este producto no protegerá a los ocupantes contra caídas de objetos. Nunca conduzca este vehículo fuera de las especificaciones del fabricante.

### USE LOS CINTURONES DE SEGURIDAD EN TODO MOMENTO

Lea y siga con precisión todas las instrucciones de instalación que se proporcionan para instalar este producto. Si no lo hace, podría producirse un mal ajuste que colocaría a los ocupantes del vehículo en una situación potencialmente peligrosa.



### PRECAUCIÓN

Debe usar gafas protectoras en todo momento durante la instalación de este producto.

## Conseils pour l'installation

**Lire toutes les instructions au complet avant de commencer l'installation de cet assemblage.**

### Pour un ajustement sans problème :

Afin de faciliter l'installation, ce produit doit être installé à des températures au-dessus de 72 °F (22 °C).

Sous cette température, le tissu peut rétrécir d'un pouce (2,5 cm) ou plus, ce qui rendra l'ajustement sur le véhicule difficile.

Il est normal que le tissu rétrécisse et plisse pendant qu'il est dans la boîte d'expédition. En quelques jours après l'installation, le tissu se détendra et les plis disparaîtront.



### AVERTISSEMENT

Ce produit est conçu principalement pour améliorer l'apparence du véhicule et pour protéger les occupants des conditions météorologiques usuelles. Ne jamais se fier aux composants de ce produit pour se protéger de blessures ou de la mort en cas d'accident. Ce produit ne protégera pas les occupants des chutes d'objets. Ne jamais utiliser le véhicule au-delà des caractéristiques techniques indiquées par le fabricant.

### PORTER UNE CEINTURE DE SÉCURITÉ EN TOUT TEMPS

Lire et suivre, très fidèlement, toutes les instructions d'installation fournies lors de l'installation de ce produit. Ne pas suivre cette consigne peut causer une installation inadéquate et mettre les occupants du véhicule dans une situation potentiellement dangereuse.



### MISE EN GARDE

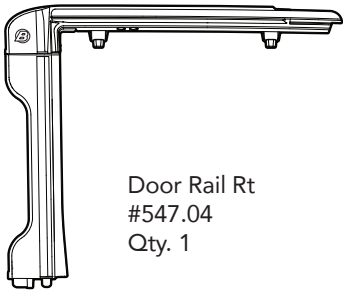
Des lunettes de sécurité doivent être portées en tout temps lors de l'installation de ce produit.



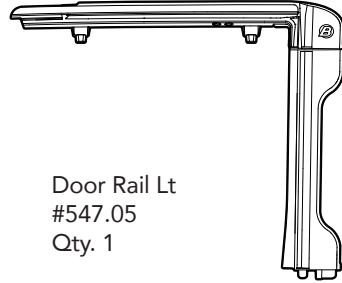
# Installation Instructions JK 2 Door Trektop Halftop

Vehicle Application:  
Jeep® Wrangler JK 2007-2018  
Part Number 53900

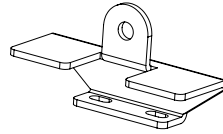
## Parts List



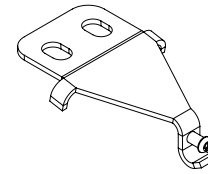
Door Rail Rt  
#547.04  
Qty. 1



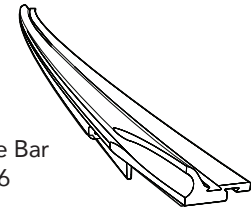
Door Rail Lt  
#547.05  
Qty. 1



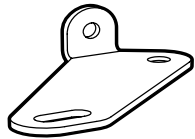
Sunrider Pivot Bracket  
#545.74  
Qty. 2



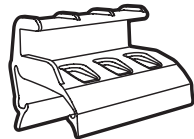
Cable Guide Bracket  
#593.26  
Qty. 2



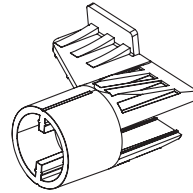
Tailgate Bar  
#538.76  
Qty. 1



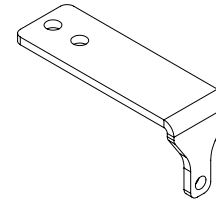
#2 Bow Pivot Bracket  
#541.88 - Right (shown)  
#541.87 - Left  
Qty. 1 per side



Tailgate Bar Mounts  
#539.57 - Left (shown)  
#539.56 - Right  
Qty. 1 per side



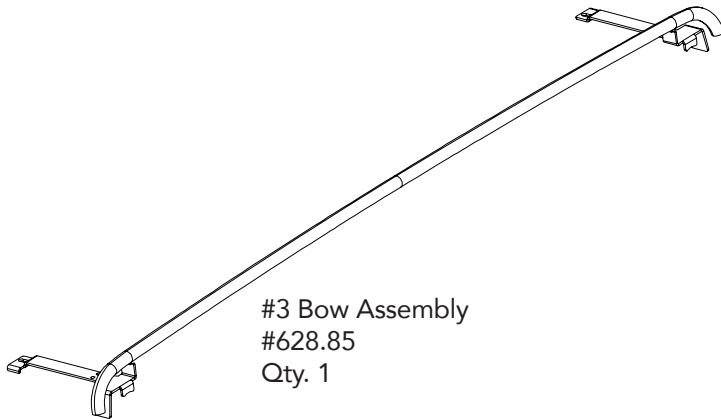
Plastic End Cap  
Part # 592.66 Right (Shown)  
Part # 593.71 Left  
Qty. 1 per side



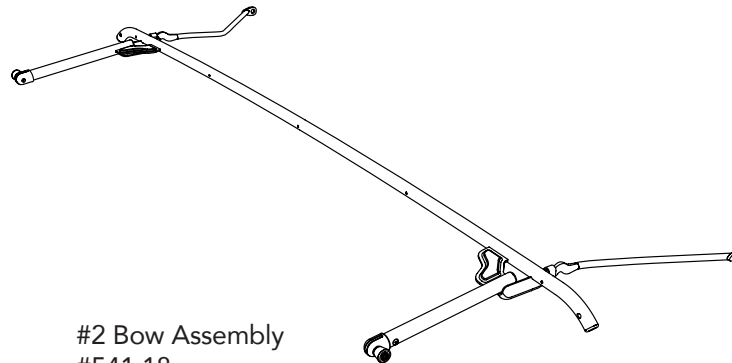
Bracket, Cable Spring Attach  
Part # 629.57  
Qty. 2



Extruded Aluminum Bow  
Qty. 1  
Part # 620.81



#3 Bow Assembly  
#628.85  
Qty. 1



#2 Bow Assembly  
#541.18  
Qty. 1



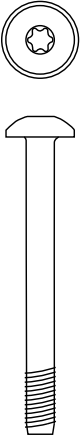


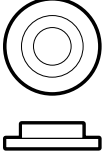




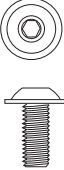


Bow C Pillar  
Part #629.13  
Qty. 2

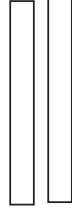



# Installation Instructions JK 2 Door Trektop Halftop

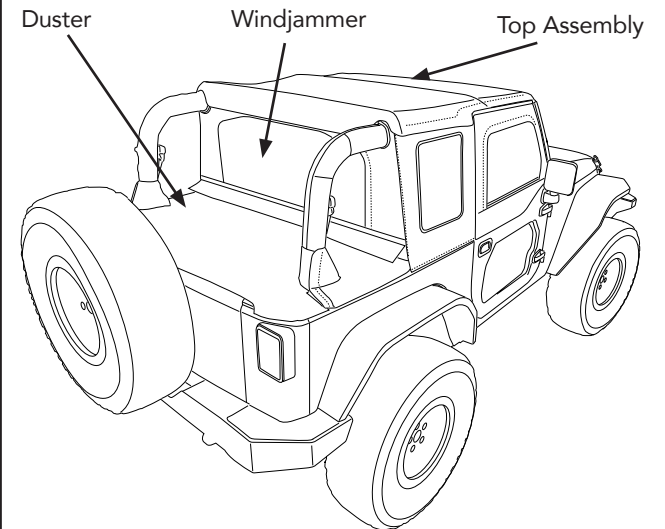
Vehicle Application:  
Jeep® Wrangler JK 2007-2018  
Part Number 53900

## Parts List

			
M8 x 80 Screw #532.23 Qty.4 T-40	Screw #10-32 x 1/2" Part #316.82 Qty. 4 #2 Phillips	Lock Nut 10-32 Part #316.94 Qty. 4 3/8" Wrench	Plastic Bushing Part #473.40 Qty. 4
			
M5 Lock Nut Part #308.62 Qty. 2 8mm Wrench	#10 Flat Washer Part #575.27 Qty. 2	Adhesive Fabric Loop Strips Part #606.91 Qty. 2	
			
M5 x 35mm Screw Part #514.62 Qty. 2 3mm Hex Socket	Screw M5 x .8x 12mm Part #531.49 Qty. 4 T-25 Torx	M5 Nylon Lock Nut Part #526.76 Qty. 6 8mm Wrench	Bestop Window Sticker Part #338.32 Qty. 1

	
Foam Tape Strips #417.43 Qty. 2	Foam Seals #457.76 - Right #457.77 - Left Qty. 1 per side

**Kit # 488.29P**



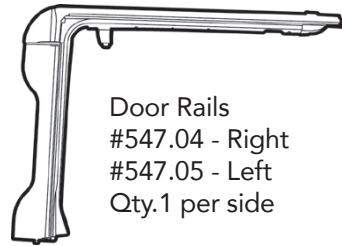


Tools



T40 Torx  
Driver

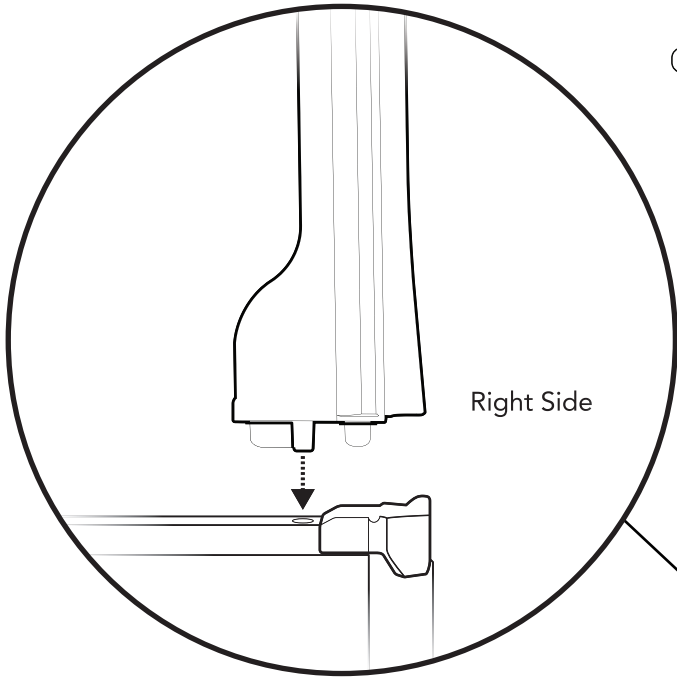
Parts



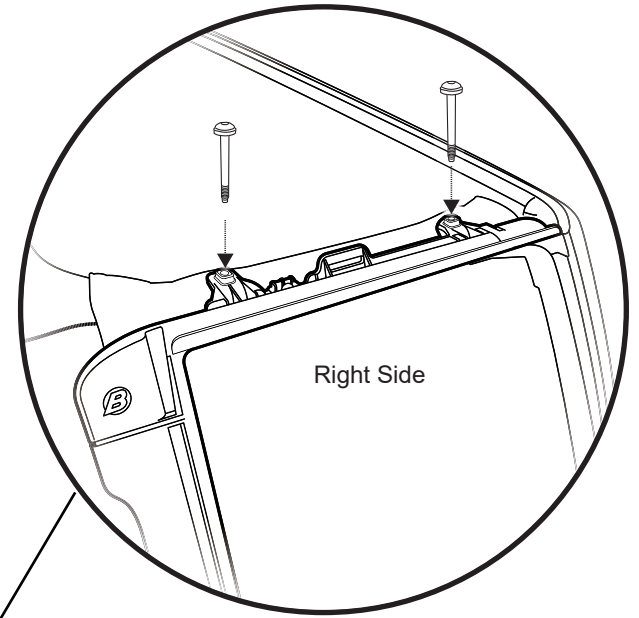
Door Rails  
#547.04 - Right  
#547.05 - Left  
Qty.1 per side



M8 x 80 Screw  
#532.23  
Qty.4  
T-40



Right Side

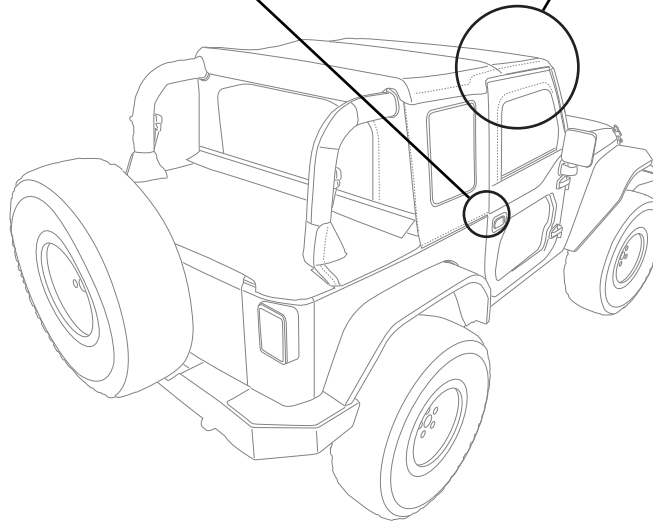


Right Side

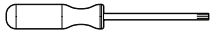
Open the passenger side Door.  
Insert the pin in the bottom of the Right Door Rail #547.04 into the hole in the belt rail behind the door opening. Press the channel along the top of the Door Rail around the horizontal sport bar.

Insert one (1) M8 x80 Screw #532.23 into each position on the right Door Rail #547.04. Tighten to 55lb/in (4.5(lb/ft).

Repeat on the left side of the vehicle.



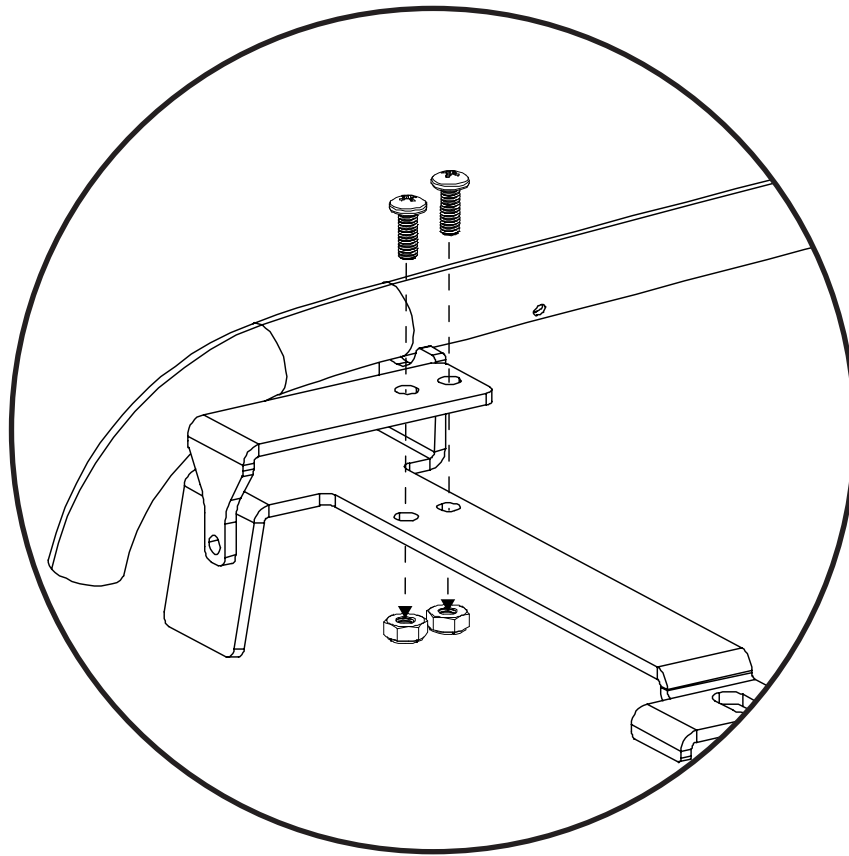
Tools



T25 Torx  
Driver



8mm  
Wrench

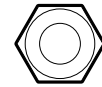


Attach the Cable Spring Attach Brackets to the #3 Bow assembly using two (2) M5 x .8x 12 mm screws and two (2) M5 Nylon Lock Nuts per side.

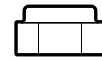
Parts



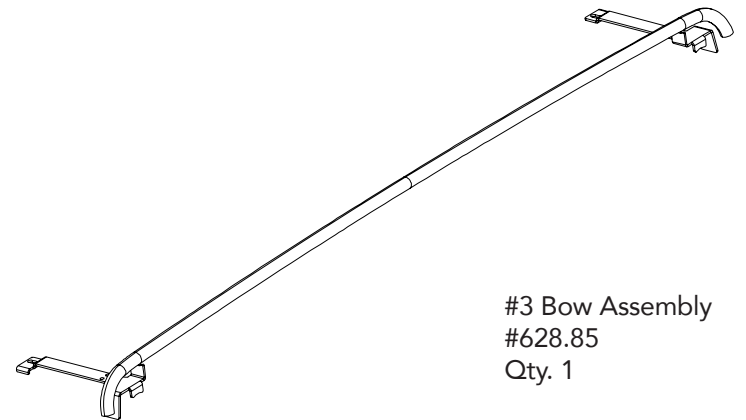
Screw M5 x .8x 12mm  
Part #531.49  
Qty. 4  
T-25 Torx



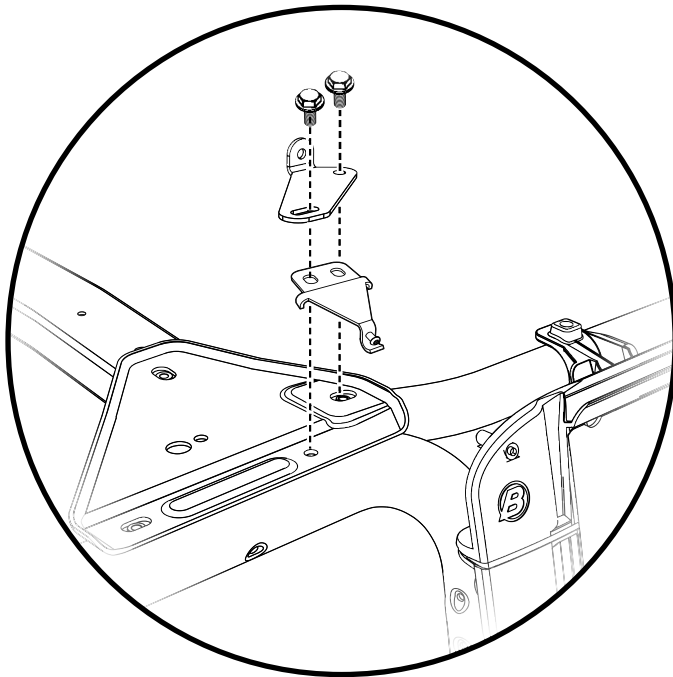
M5 Nylon Lock Nut  
Part #526.76  
Qty. 4  
8mm Wrench



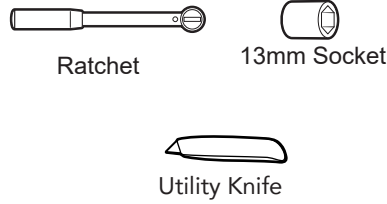
Bracket, Cable Spring Attach  
Part # 629.57  
Qty. 2



#3 Bow Assembly  
#628.85  
Qty. 1



Tools

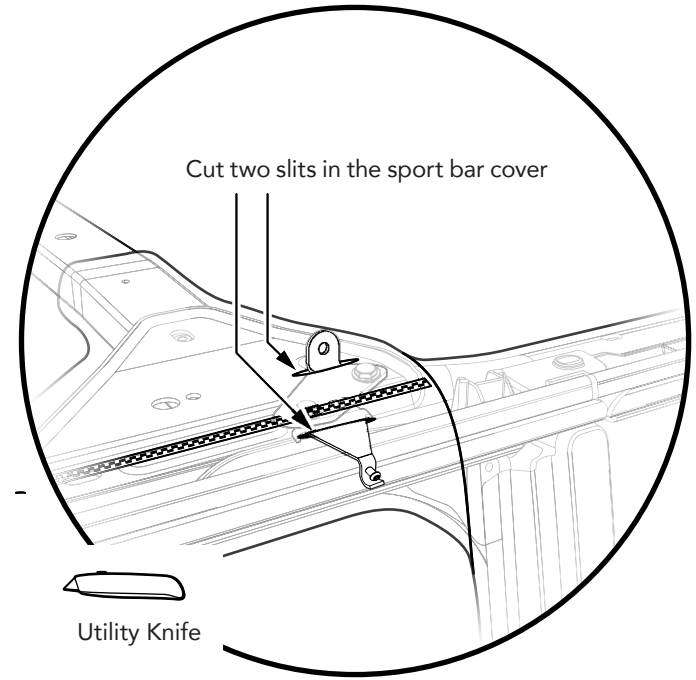
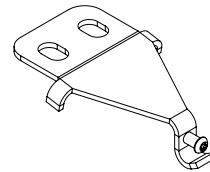


Parts

#2 Bow Pivot Bracket  
#541.88 - Right (shown)  
#541.87 - Left  
Qty. 1 per side

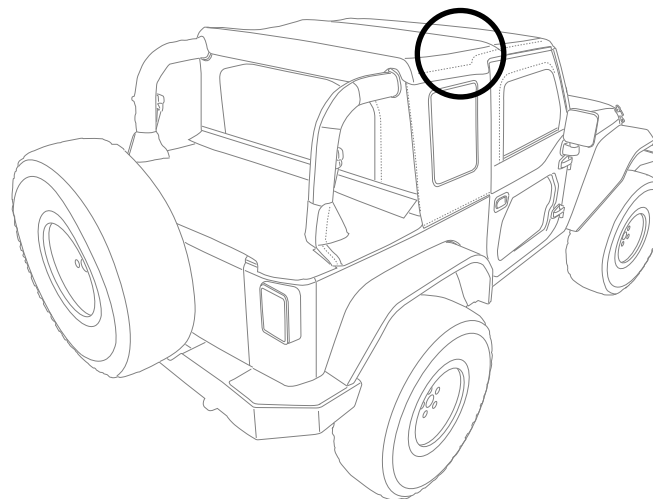


Cable Guide Bracket  
#593.26  
Qty. 2



Unzip the sport bar cover over the middle cross bar, to expose the sport bar corner plate, and two hex-head bolts.  
Attach the Right #2 Bow Pivot Bracket #541.88 and one (1) Cable Guide Bracket #593.26 to the right side sport bar plate using the two pre-installed bolts.

Repeat on the left side of the Jeep.



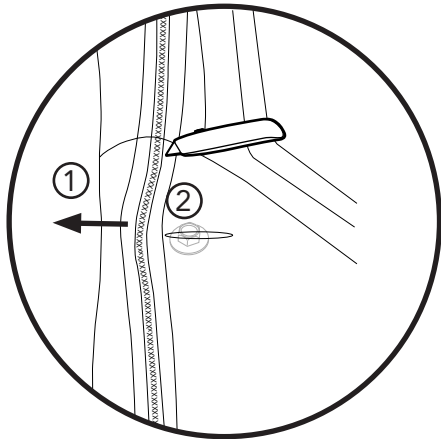
Zip the sport bar cover closed. Locate the vertical tab on the #2 Bow Pivot Bracket, and cut a slit in the cover to allow this tab to protrude through the cover.

Locate the Cable Guide Bracket underneath the sport bar cover, and cut a slit in the cover to allow the bracket to protrude through the cover.

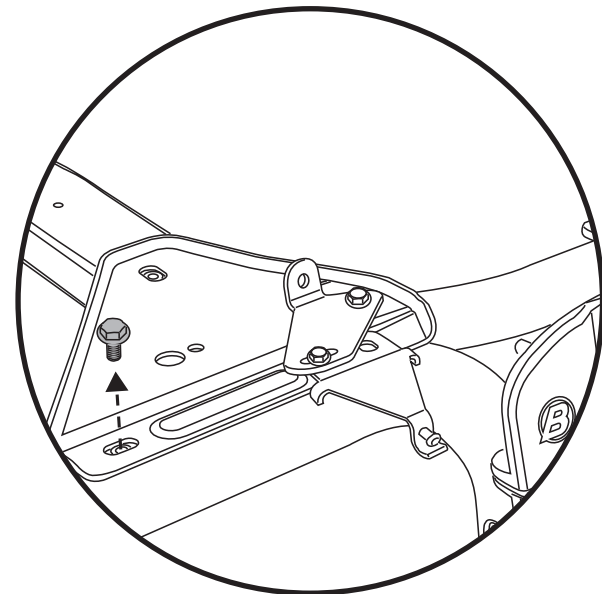
Repeat on the left side of the Jeep.

Locate the rear bolt on the sportbar corner plate.

- ① Slide the zipper towards the outside of the of "the vehicle to clear the bolt head.
- ② Cut a slit in the fabric (Side to Side) 1" wide.



Unzip the sportbar cover. Remove the rear bolt from the factory sportbar.



Tools

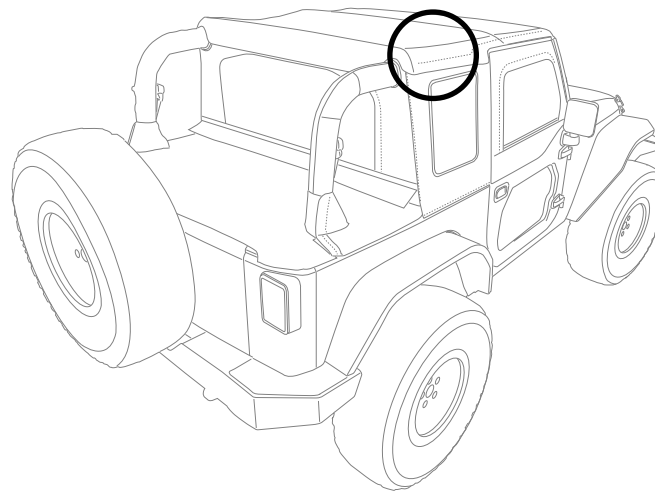
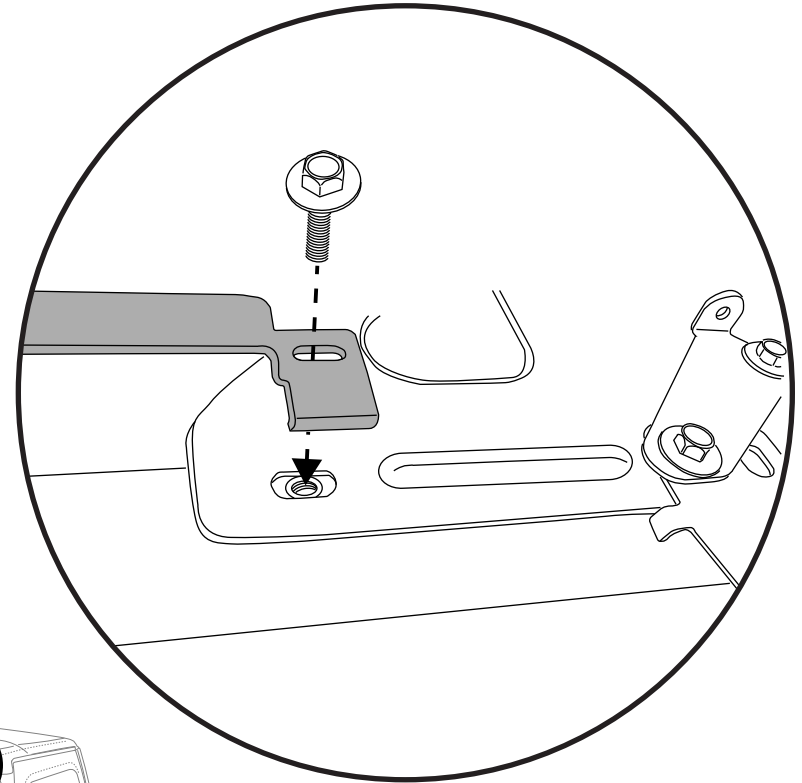


13mm Wrench



Utility Knife

Slide the upper support bracket through the slit in the sportbar cover. Place the Upper Support Brackets over the hole then replace the bolts. Zip the sportbar cover back up.



Tools



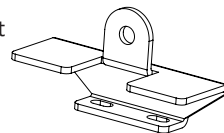
#2 Phillips  
Screwdriver



3/8" Wrench

Parts

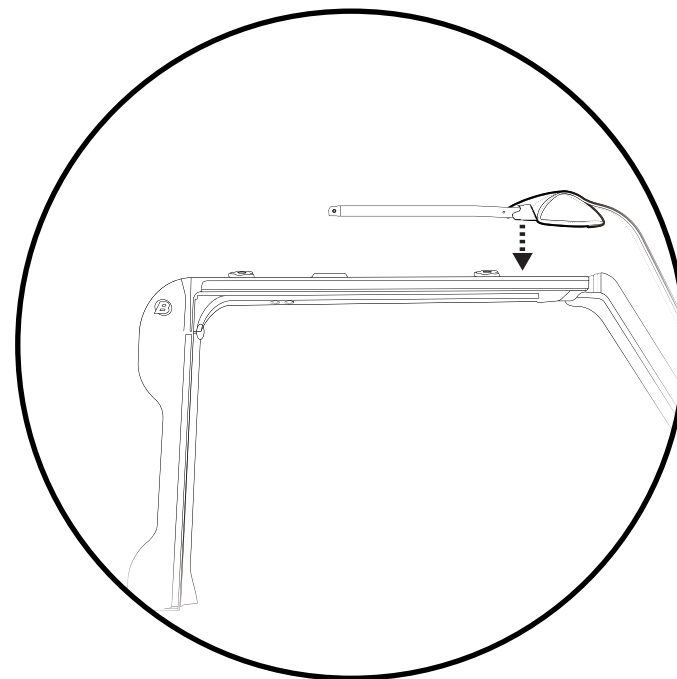
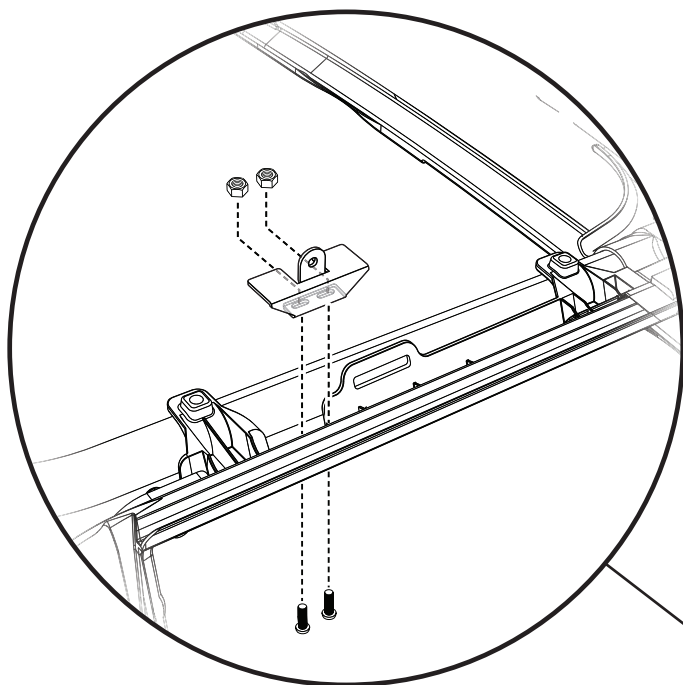
Sunrider Pivot Bracket  
#545.74  
Qty. 2



#10-32  
Machine Screw  
Part #316.82  
Qty. 2 per side



#10-32  
Nylon Lock Nut  
Part #316.94  
Qty. 2 per side

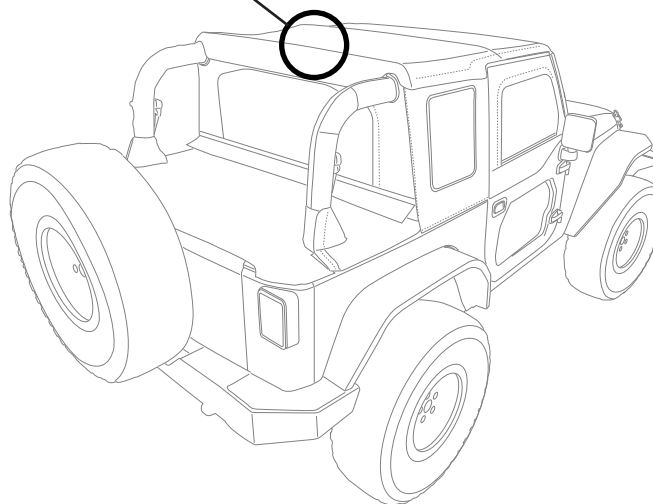


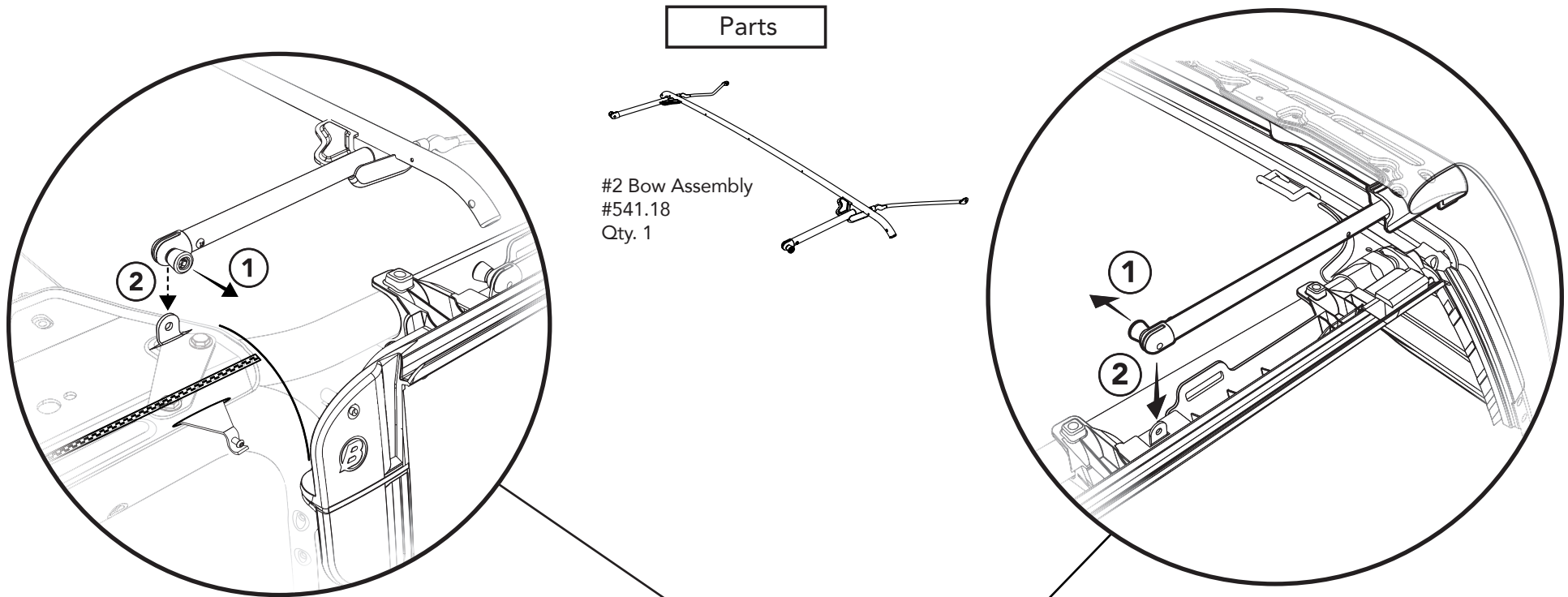
Attach the right Sunrider Pivot Bracket #545.74 to the Right Door Rail #547.04 using two (2) #316.82 Screws, and two (2) #316.94 Nylon Lock Nuts.

Repeat on the left side of the vehicle.

Lift the Header/Side Bow Assembly onto the top of the Jeep, with the Header sitting on top of the the Jeep windsshield, and the fabric draped forward over the Jeep hood.

You may want to protect the finish of the Jeep by putting a blanket across the Jeep Hood.

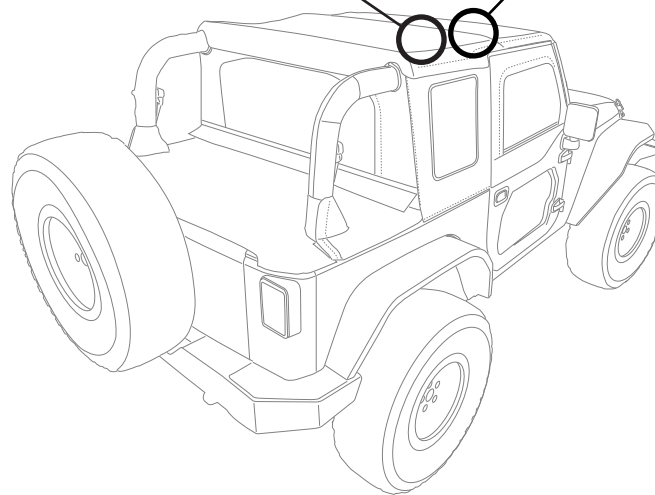




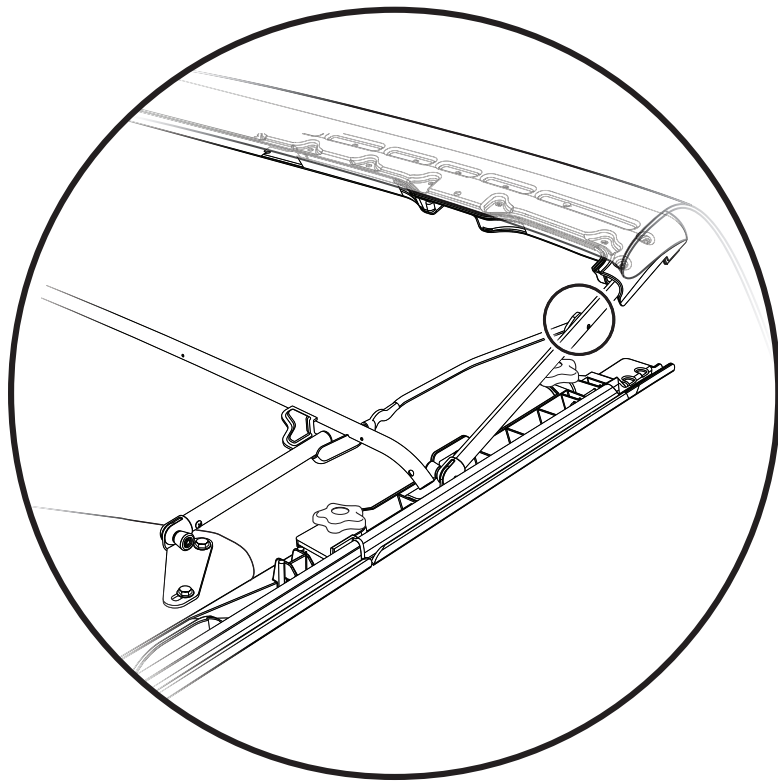
- ① Pull out on the knob to release the spring-loaded catch on the #2 Bow rear legs;
- ② Slide the slotted end of the catch over the #2 Bow Pivot Bracket tab protruding from the sport bar cover.  
Make sure that the spring catch snaps into place on each #2 Bow Pivot Bracket tab.

Attach the right Side Bow to the Right Sunrider Pivot Bracket #545.74.

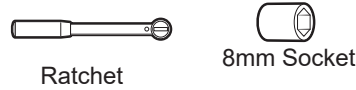
- ① Pull out on the spring catch release knob;
- ② Slide the slotted end of the Side Bow over the vertical tab on the Side Bow Pivot Bracket, and release the knob, making sure that the catch snaps into place on the Pivot Bracket tab.  
Repeat on the left side of the Jeep.



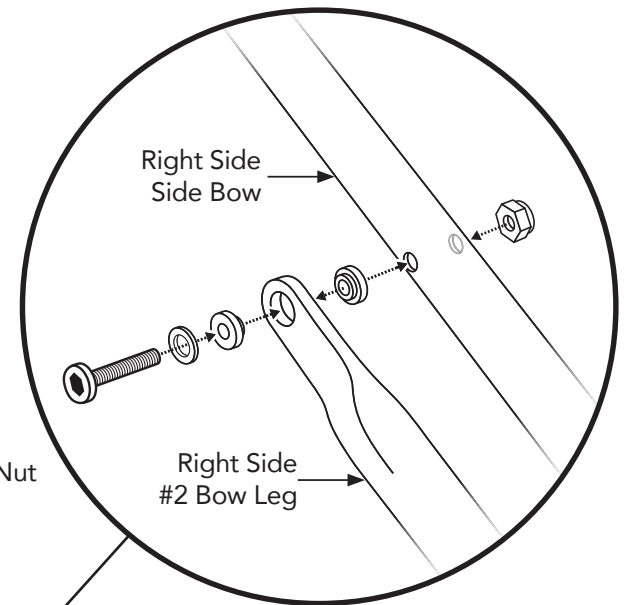
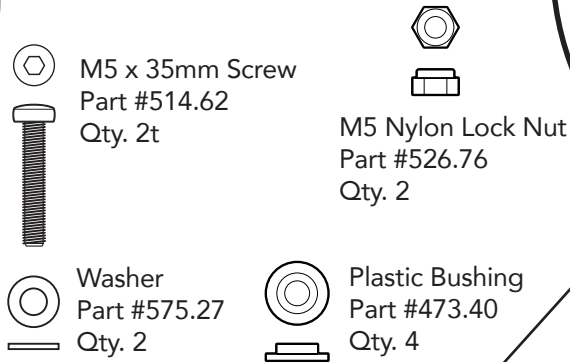




Tools

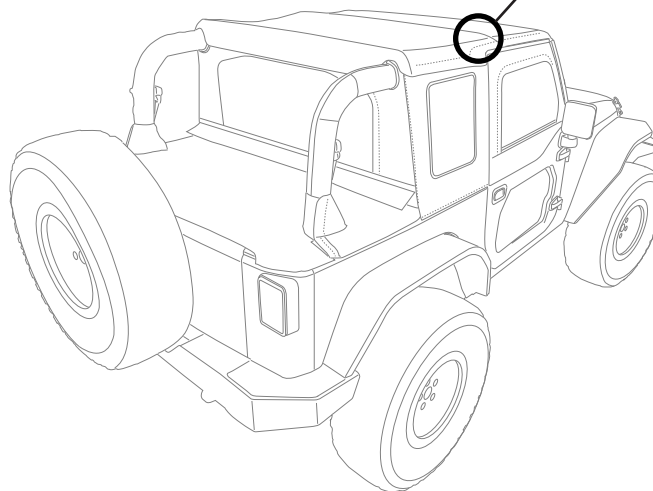


Parts

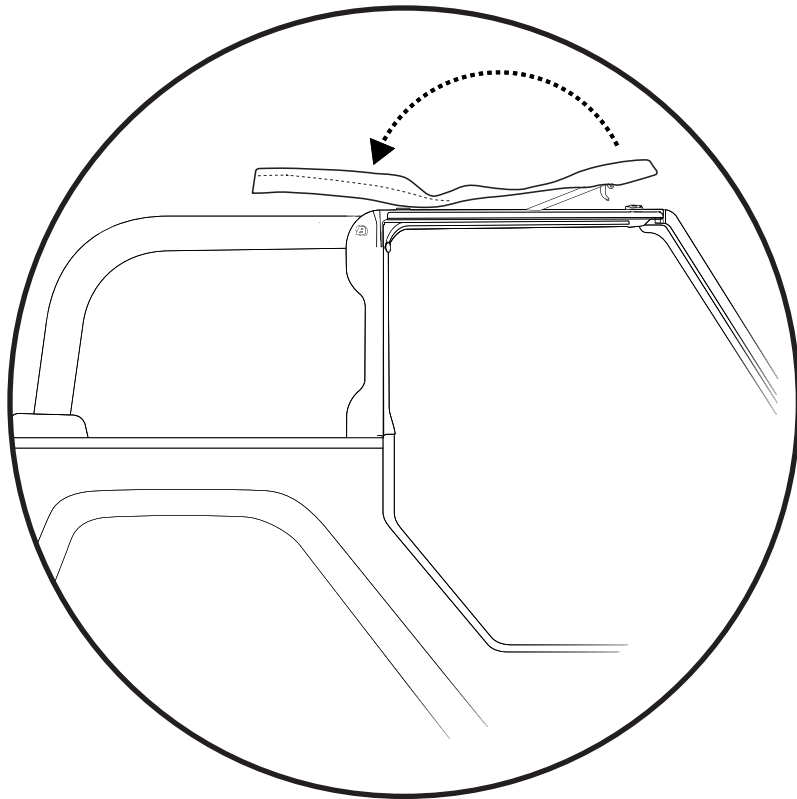


Lift the Side Bow/Header up and locate the hole in the right Side Bow near the Header. Using this hole in the Side Bow, attach the #2 Bow to the right Side Bow. Secure the #2 Bow to the Side Bow using one (1) Machine Screw #541.62, two (2) Plastic Bushings #473.40, one (1) Nylon Lock Nut #526.76 and one (1) Washer #575.27 on each side of the vehicle. The Plastic Bushings go on both sides of the flat portion of the #2 Bow leg. The Nylon Lock Nut goes on the inboard side of the Side Bow.

Repeat on the left side of the Jeep.

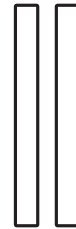


**NOTE:** Do not overtighten, to avoid damaging the plastic bushings.

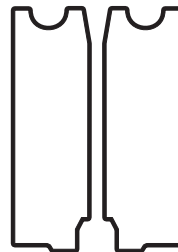


Lift up the fabric and drape it back over the top of the Jeep, pulling it back and over the top of the Rear Bow Assembly.  
 Open the Sunrider. Fold the Sunrider back from the front pivot point, resting the front portion of the top on the rear portion.

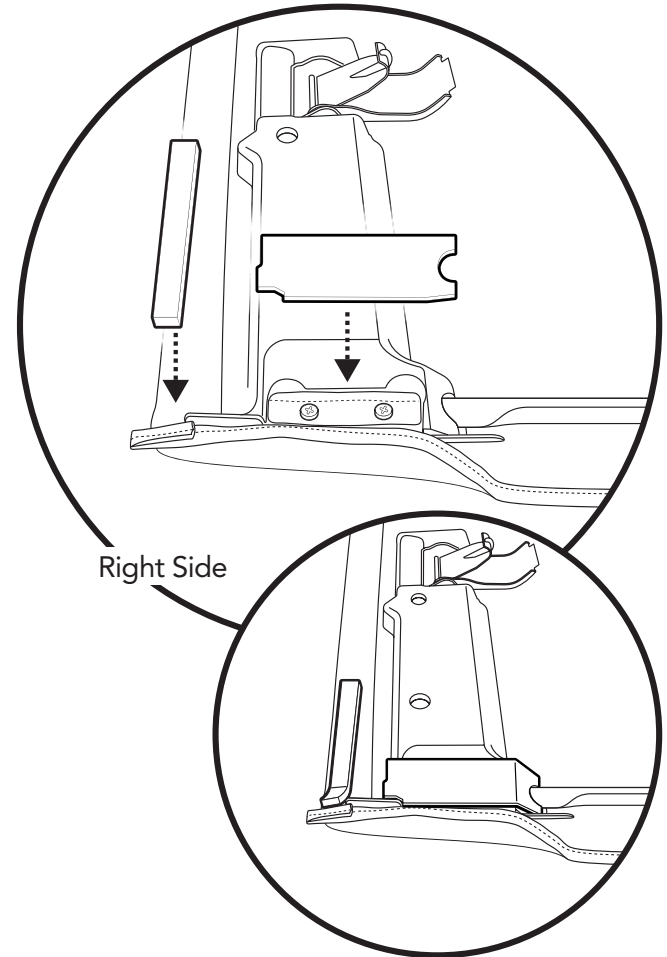
Parts



Foam Tape Strips  
 Qty. 2  
 Part # 417.43



Foam Seals  
 Qty. 1 per side  
 Part # 457.77 - Left  
 Part # 457.76 - Right



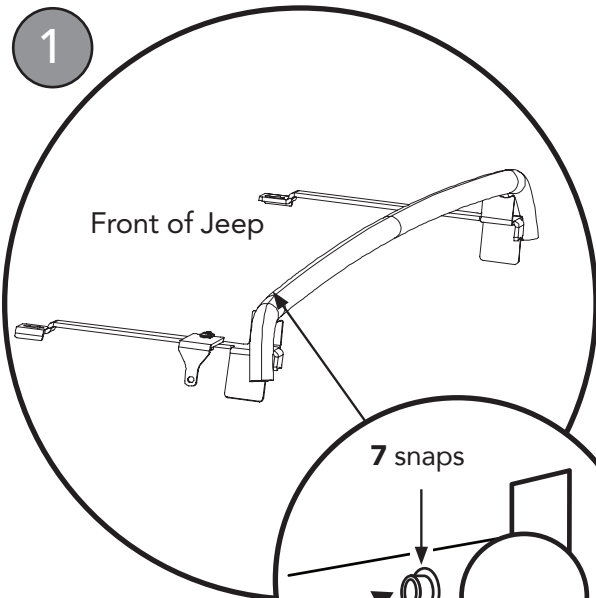
Right Side

With the Sunrider folded back, locate the two (2) Foam Seals #457.76 & #457.77 and the two (2) Foam Tape Strips #417.43.

Remove protective liner from the back side of the Foam Seal and place the Foam Seal in the location shown in the diagram.

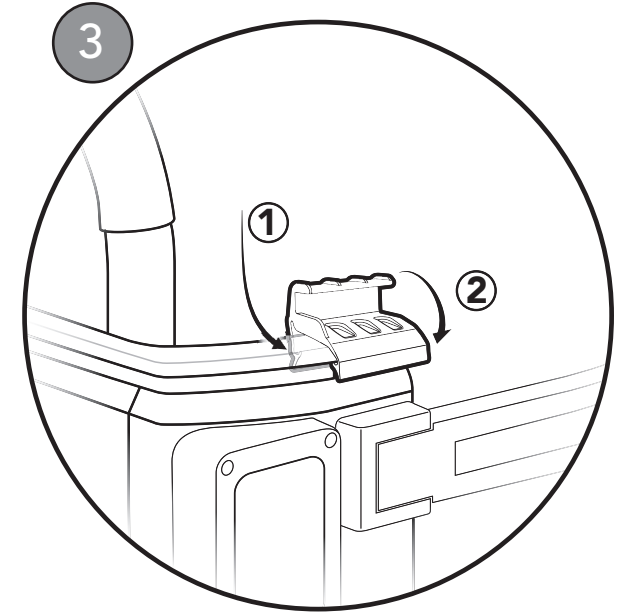
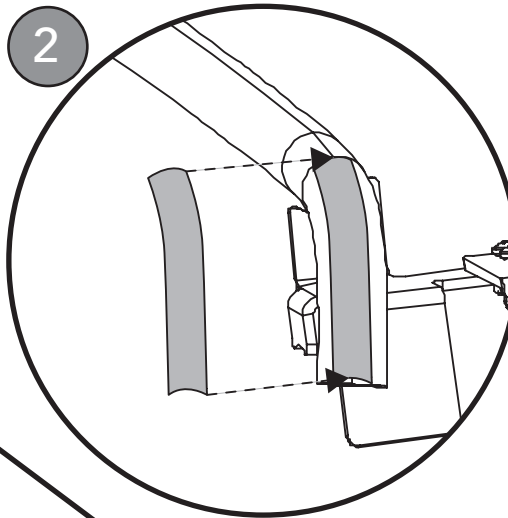
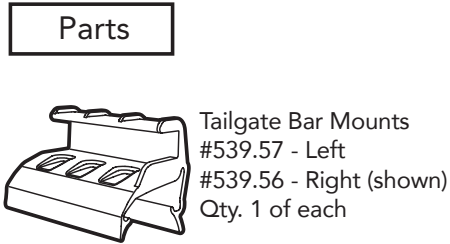
Remove protective liner from the back side of the Foam Tape Strip and place the Foam Tape Strip in the location shown in the diagram.

Repeat for the left side of the vehicle.



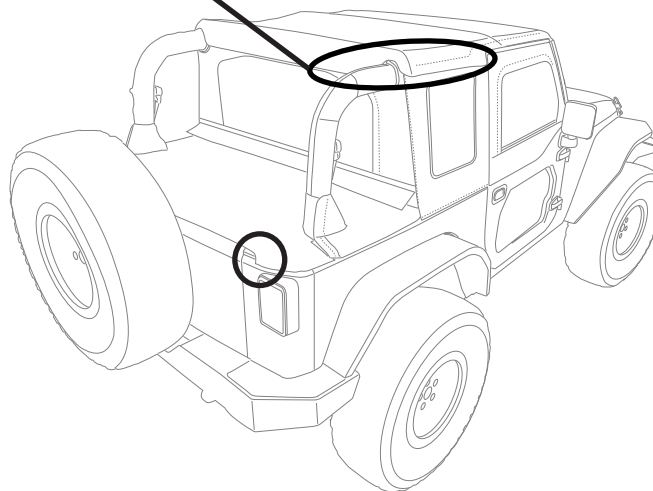
**1**  
From inside the Jeep, wrap the flap located underneath the #3 Bow under the #3 Bow from the back, and snap the seven (7) snaps on the fabric flap to the snaps on the front-facing side of the #3 Bow.

**2**  
Attach one (1) Adhesive Fabric Loop Strip #606.91 to each end of the Rear Bow as shown. The Loop Strips should align with the Hook Strips on the underside of the fabric top. Repeat on left side of vehicle.

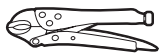


**3**  
Locate the Left and Right Tailgate Bar Mounts, #539.56 and #539.57. Each bar mount snaps onto the Jeep belt rail just outboard of the tailgate opening.

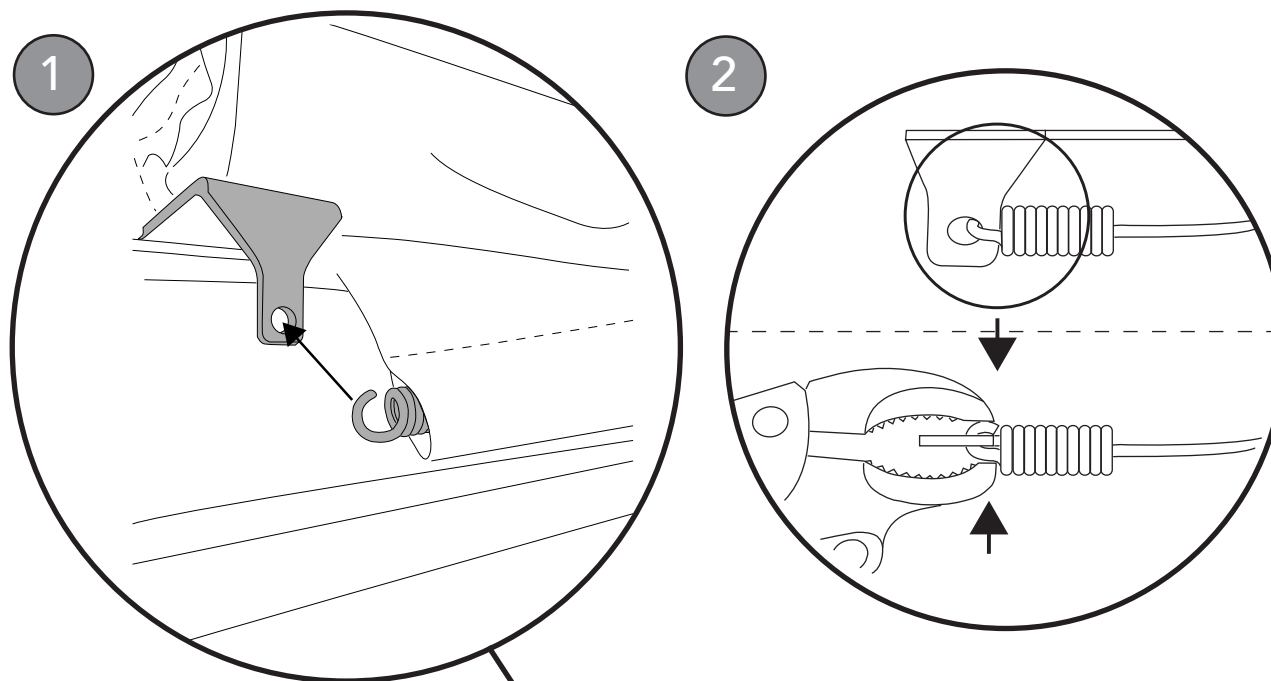
Snap each mount into place:  
**1** Hook the inner catch portion of the mount under the belt rail on the inside of the tailgate, and then  
**2** Roll the mount downward until it snaps into place under the bottom edge of the outside belt rail.



Tools



Vise-Grips



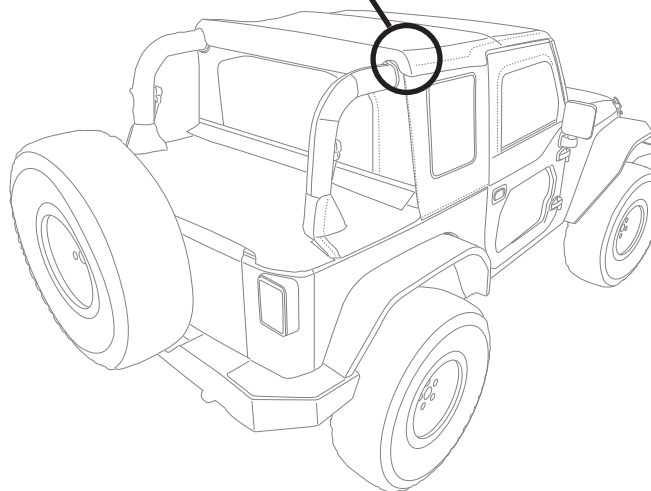
1

Attach the free end of the Cable Spring to the bottom hole in the #3 Bow corner plate, just above the bend in the rear leg of the sport bar.

2

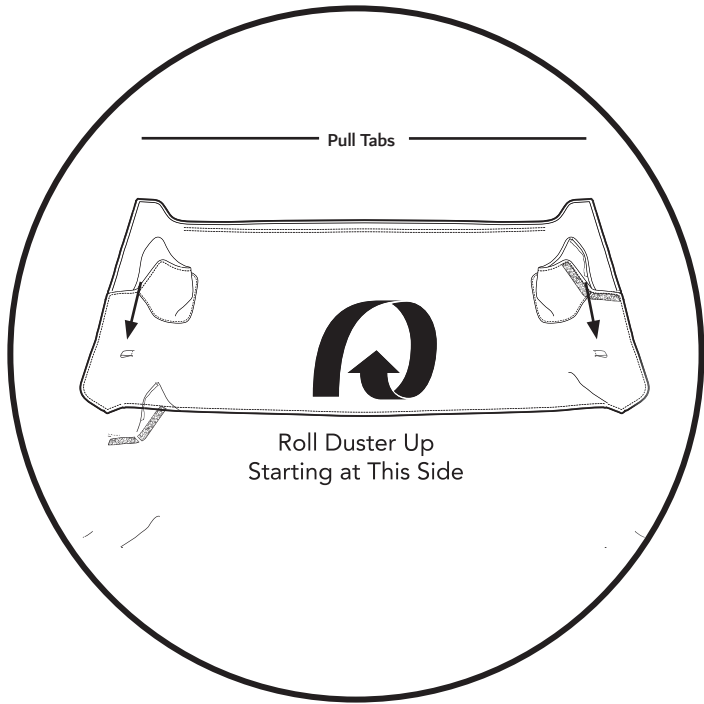
Crimp the end of the spring where it passes through the hole in the #3 Bow corner plate, to prevent it from coming loose.

Repeat on the other side of the vehicle.

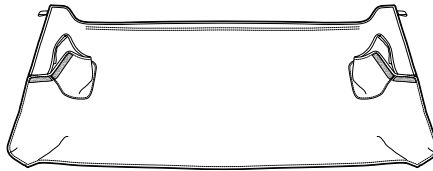


1

Starting on the side of the duster without the pull tabs, roll the Duster up loosely. The side of the Duster with the pull tabs is the front edge.



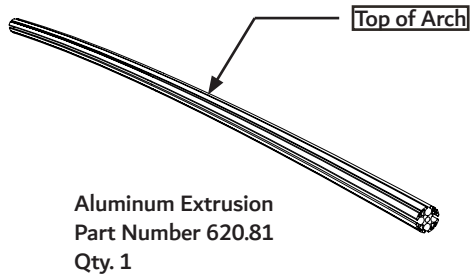
Parts



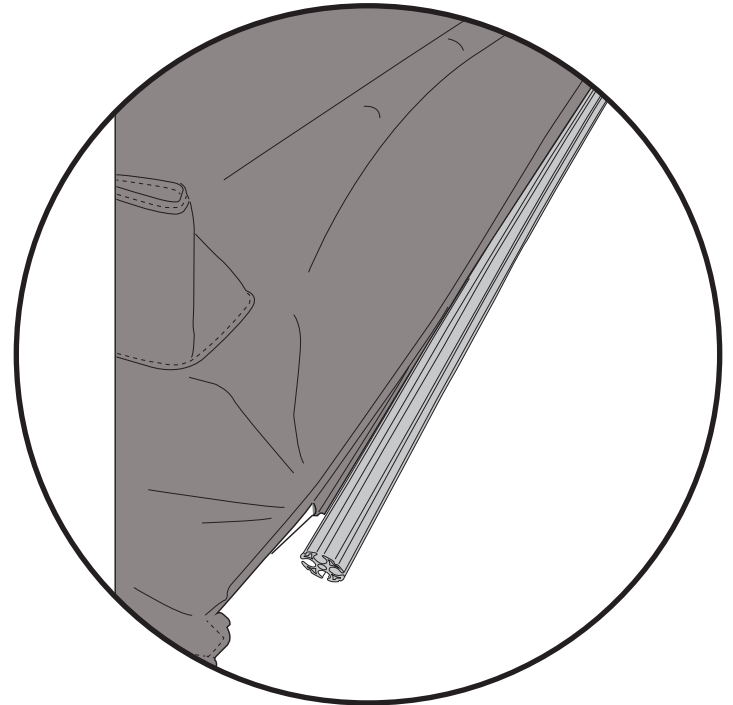
Duster  
Qty. 1

2

With the Duster loosely rolled up, slide the P-Extrusion along the exposed front edge of the Duster into the top slot of the Extruded Aluminum Bow, using the slot in the Bow that is on top of the arch and facing up.

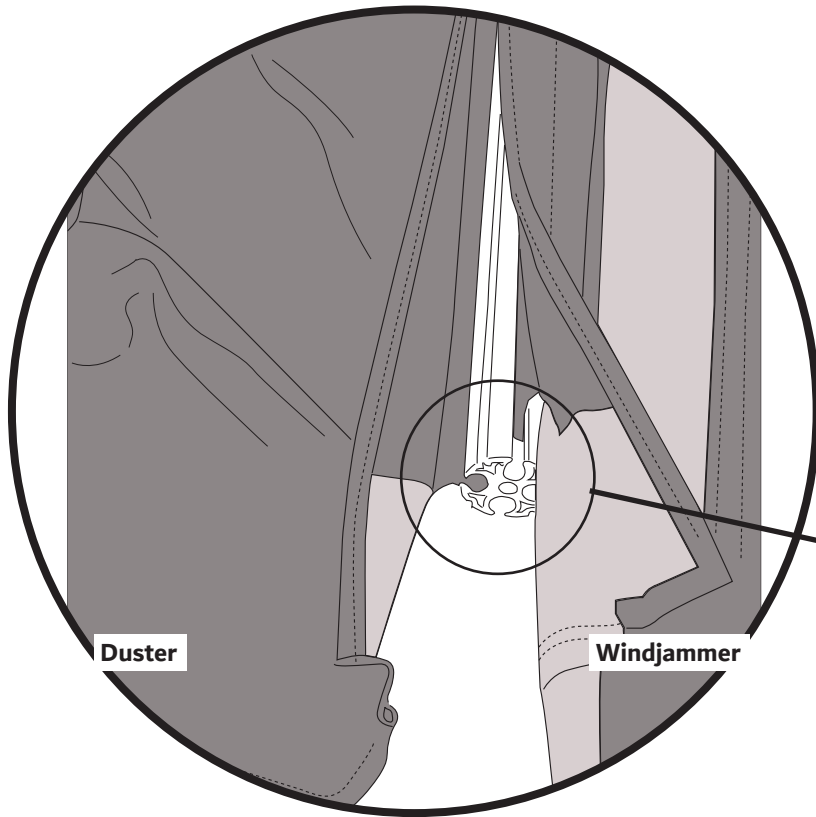


Aluminum Extrusion  
Part Number 620.81  
Qty. 1

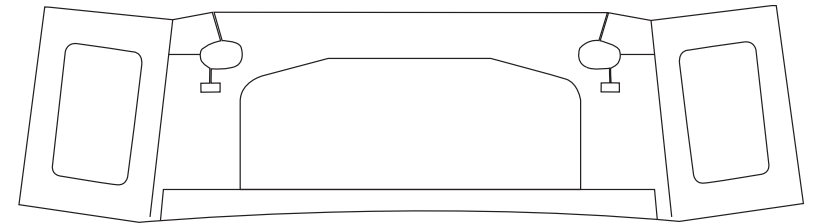


**NOTE:** Aluminium Extrusion has arch. The Duster should be in the top part of the arch.

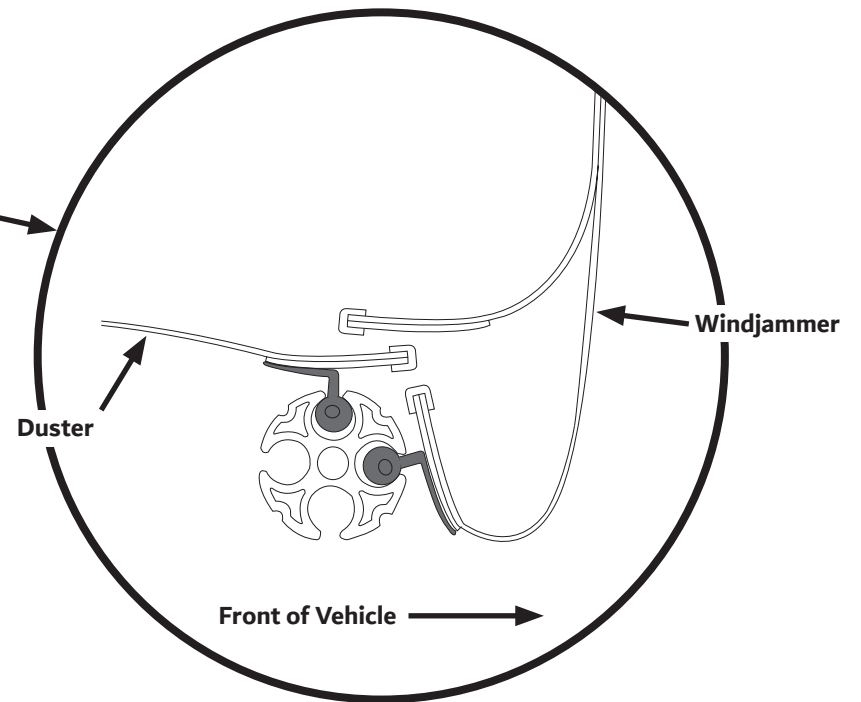
Slide the sewn in P-extrusion into the front channel of the Aluminium Extrusion.



Parts

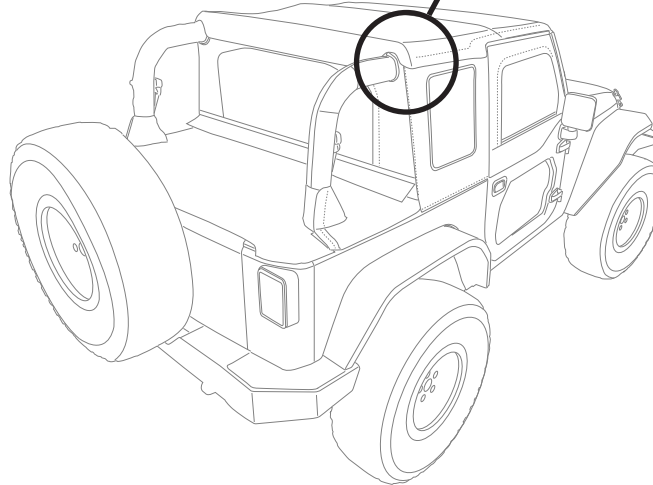
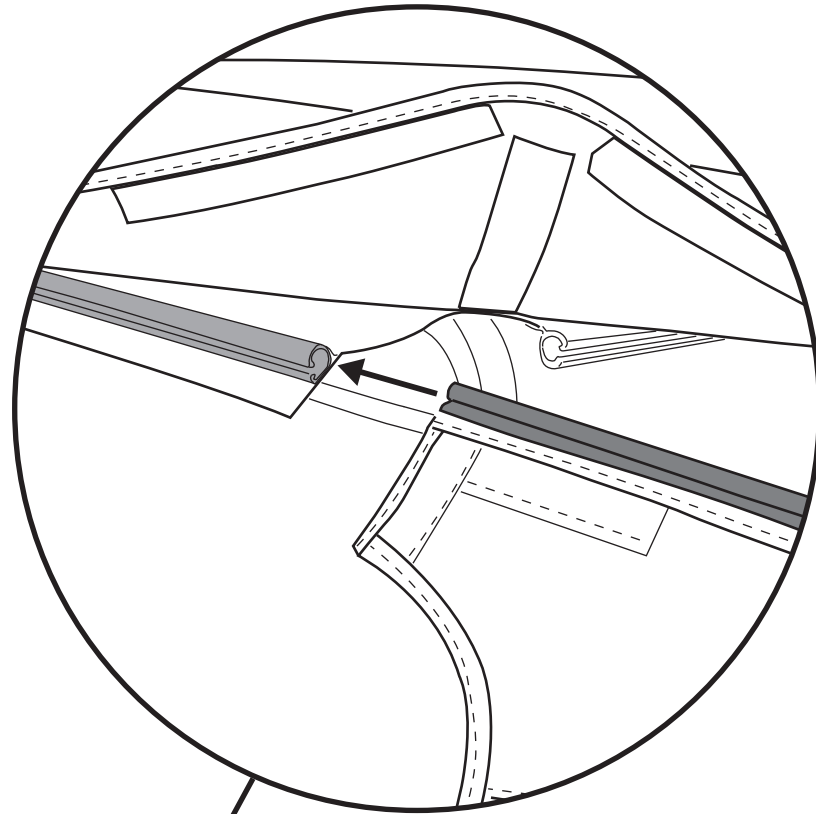


Windjammer Assembly



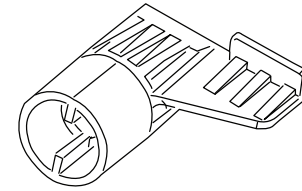


Slide the Rubber Retainer located at the top (Center Section) of the Windjammer into the Plastic "C" channel located at the rear of the Top (Under the rear flap) until the Windjammer is centered on the Top.

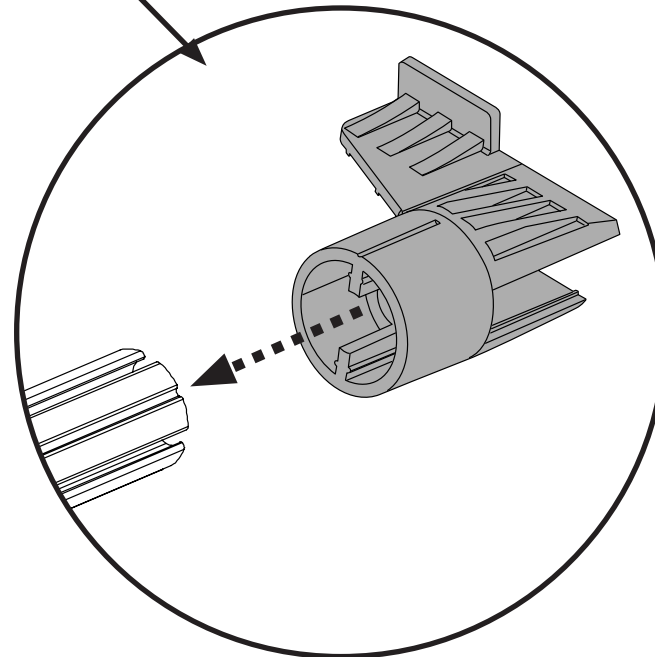
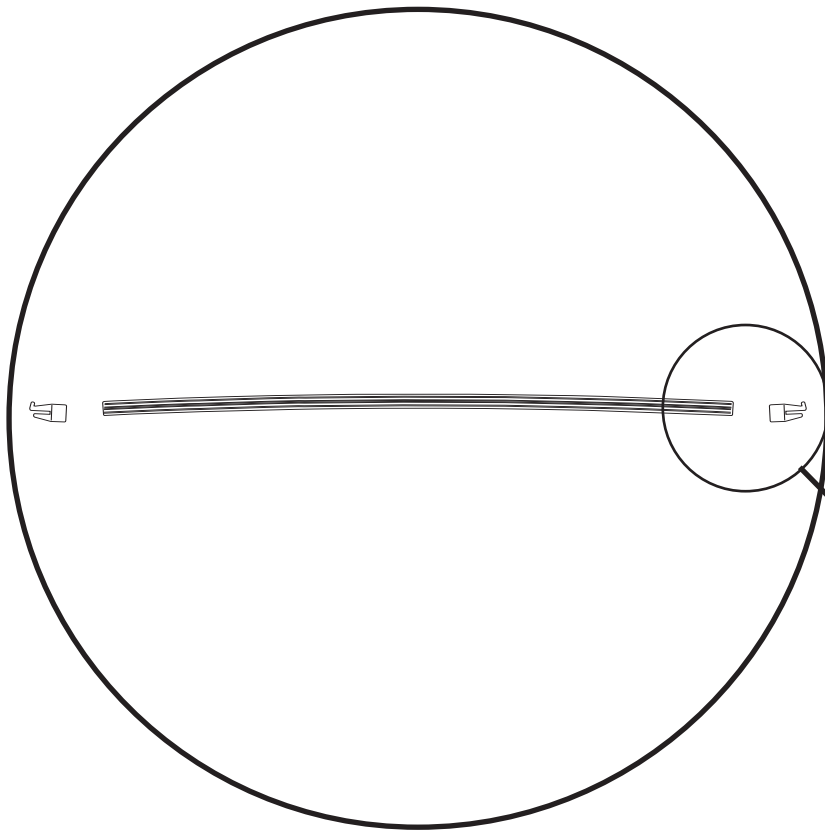
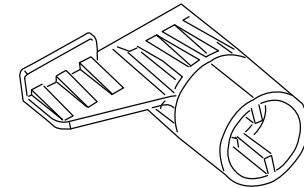


Parts

Plastic End Cap - Left  
Bestop Part #593.71  
Qty. 1



Plastic End Cap - Right  
Bestop Part #592.66  
Qty. 1

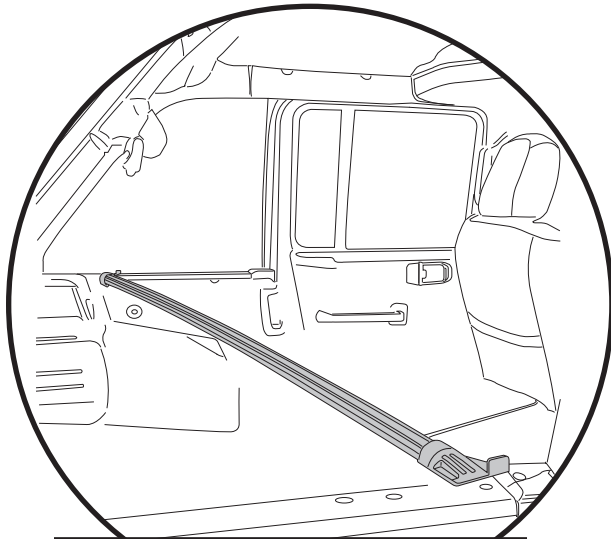


**NOTE:** The Wing must go towards the front of the vehicle with the Tab pointing up.

Place the Plastic End Caps (Part # 592.66) on the passenger side of the Aluminium Extrusion and (Part # 593.71) on the driver side. The internal ribs inside the round opening of each end cap will slide into the slots on the top and bottom of the aluminum extrusion.

1

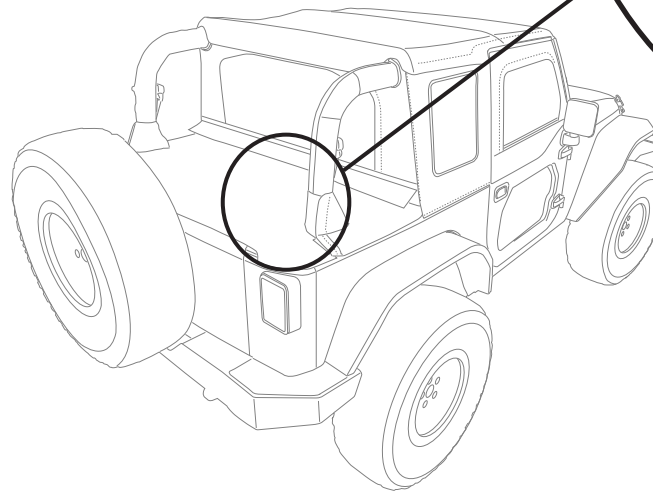
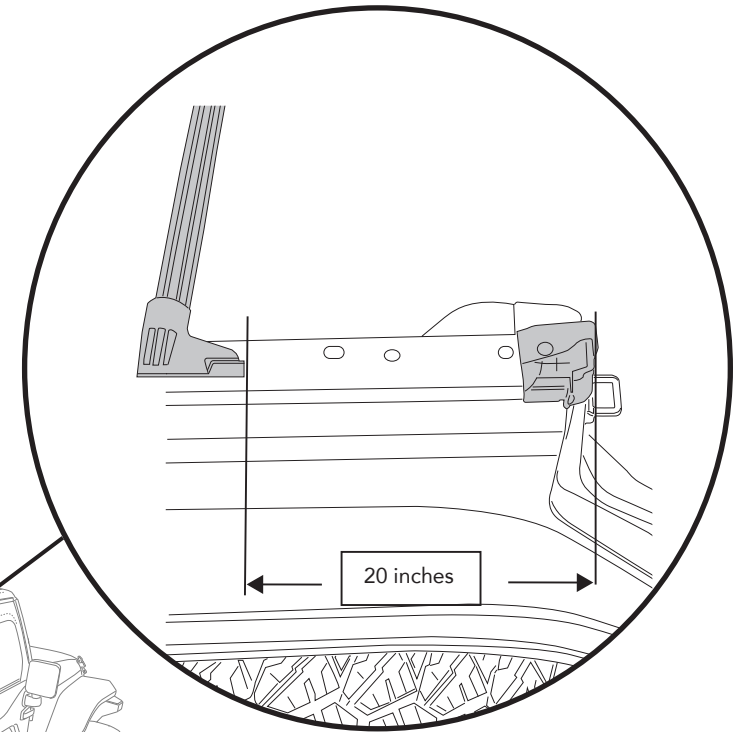
Fold both rear seats forward. (Refer to Owners Manual)  
Set End Cap as far rearward on the driver side then set the other end cap as far forward as possible on the passenger side.



Fabric not shown for illustration purpose only.

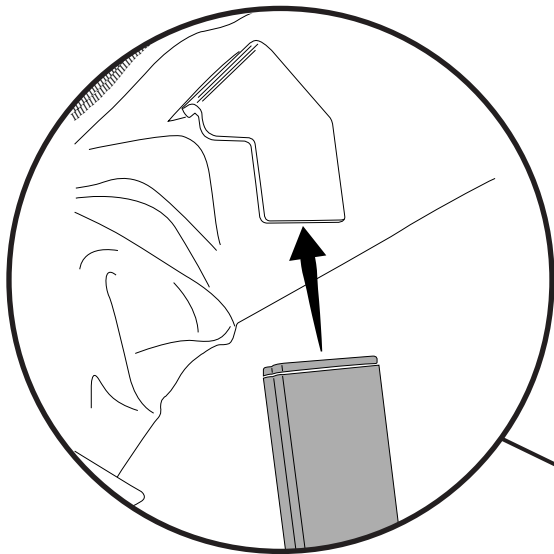
2

Slide the Bow End forward (Driver Side) and Rearward (Passenger Side) until you reach the 20 inch dimension from the front of the Extrusion to the front edge of the Rubber Seal at the top and rear of the door opening.



1

Insert the top of the C Pillar Bow (Part # 629.13) onto the Bow Support Bracket and push it all of the way up.



Parts

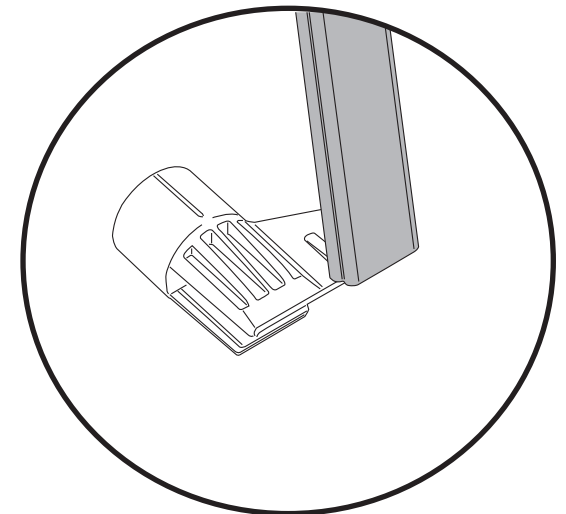
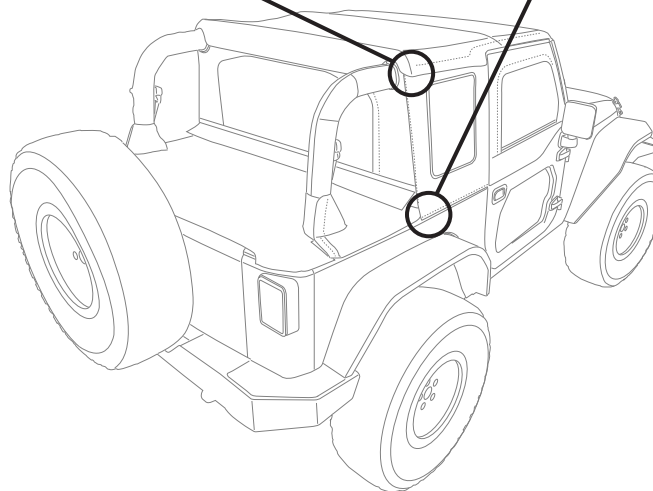
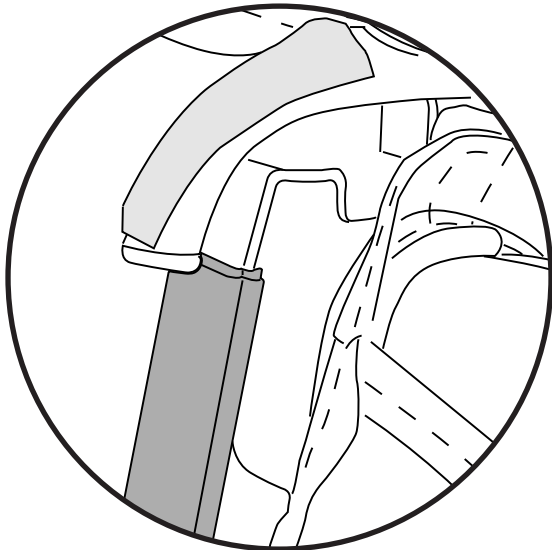
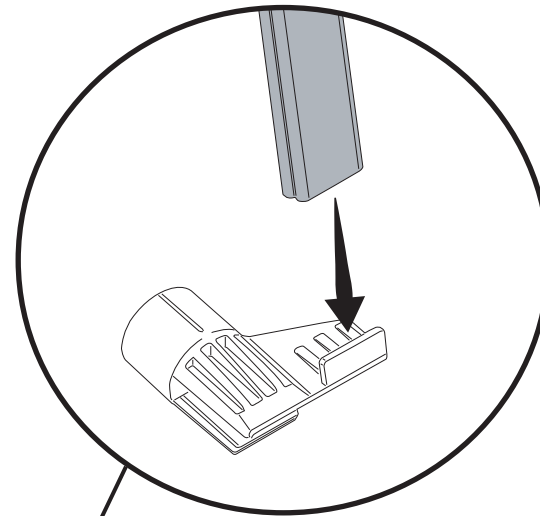


Bow C Pillar  
Part #629.13  
Qty. 2

2

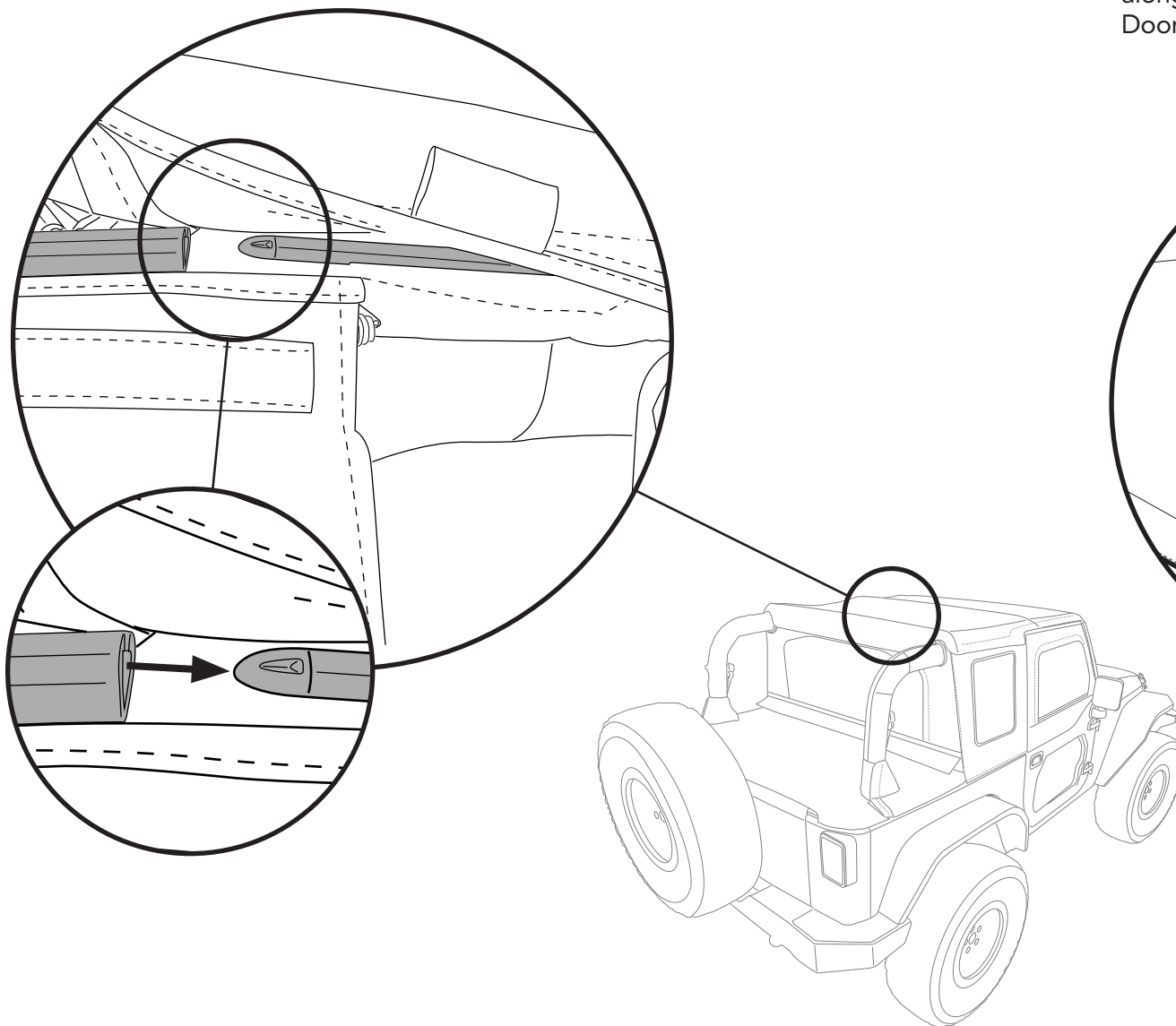
Align the C Pillar Bow with the tab on the End Cap then pull the C Pillar bow down onto the tab.

Repeat the steps on left side of the vehicle.



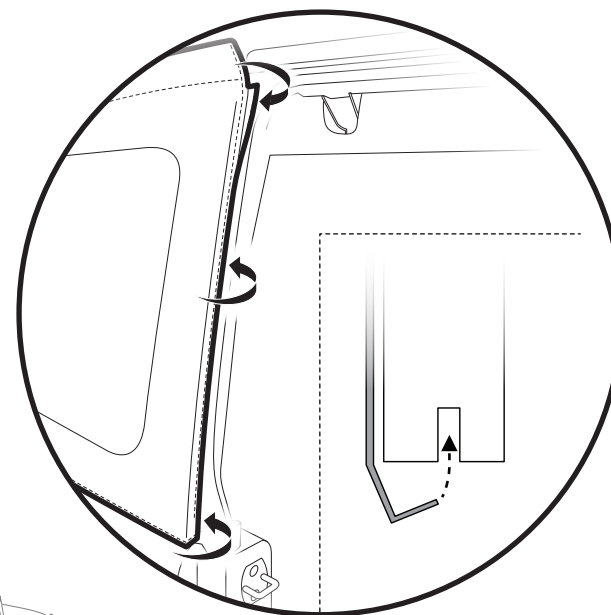
1

Slide the "C" Channel Retainer located along the top of the Side Panel onto the plastic retainer located on the top.



2

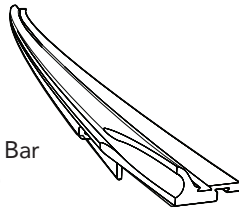
Locate the sewn-in plastic strip along the front edge of the Side Panel. Tuck this plastic strip into the vertical channel along the outside face of the Right Rear Door Rail.



Repeat on left side of vehicle.

Attach the Tailgate Bar to the sewn-in P-Extrusion rail on the underside of the rear of the Duster. Slide the Tailgate Bar all the way across the "P" extrusion. (As it was on the rear window of the Trektop)

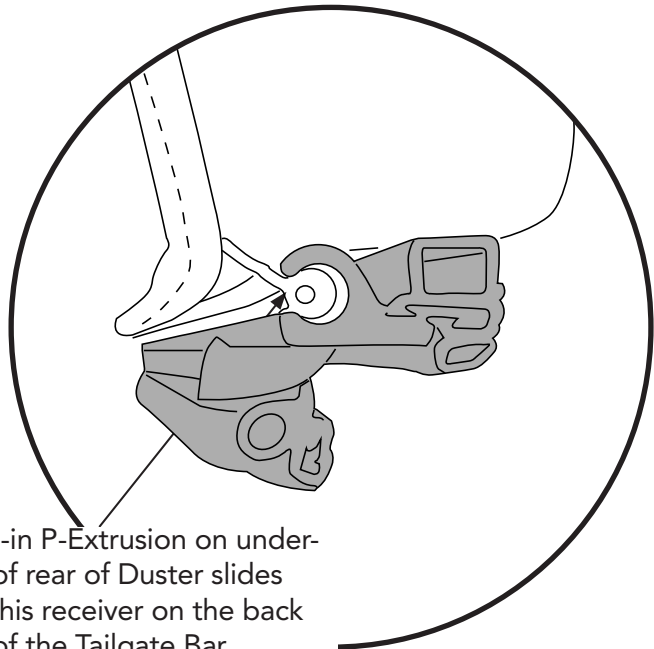
Parts



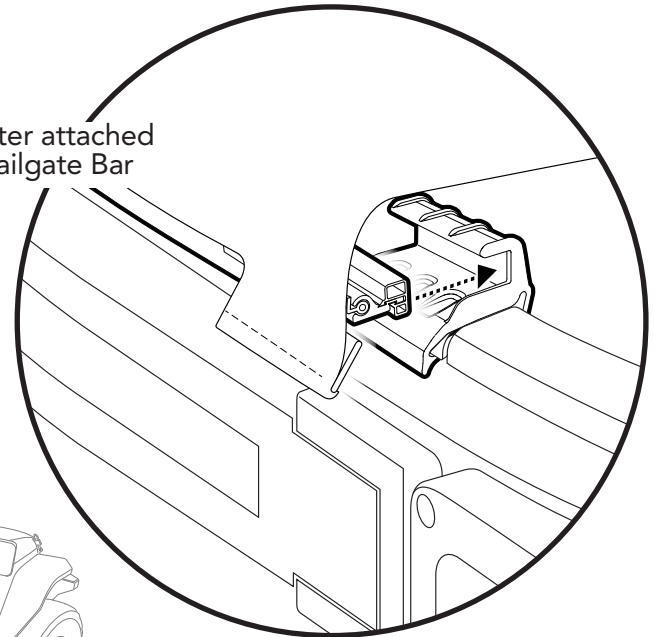
Tailgate Bar  
#538.76  
Qty. 1

Secure the Tailgate Bar with attached Duster to the Tailgate Bar Retainers. Press the Tailgate Bar into the receiver on each Tailgate Bar Retainer.

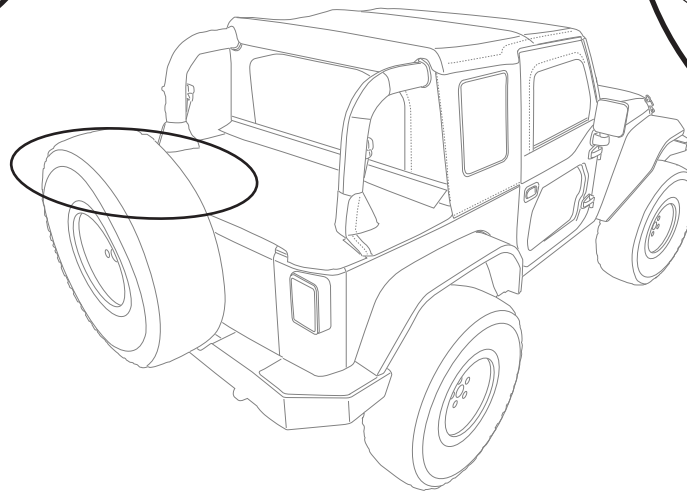
**NOTE:** The bulb seal on the Tailgate bar must hang below the bar and face rearward for the tailgate to touch it.



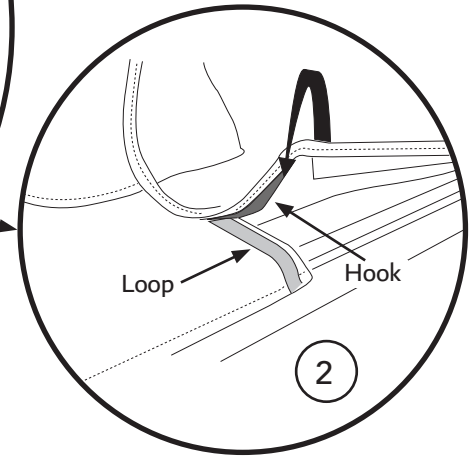
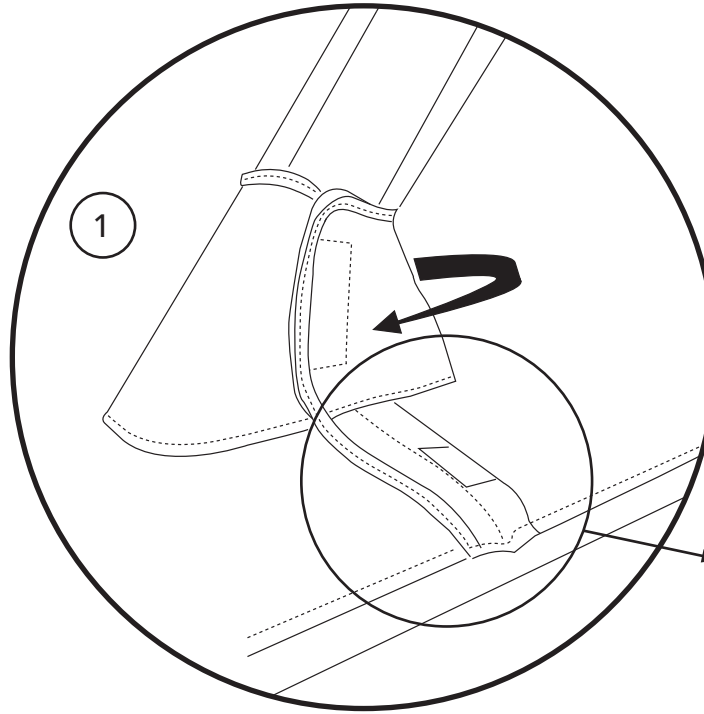
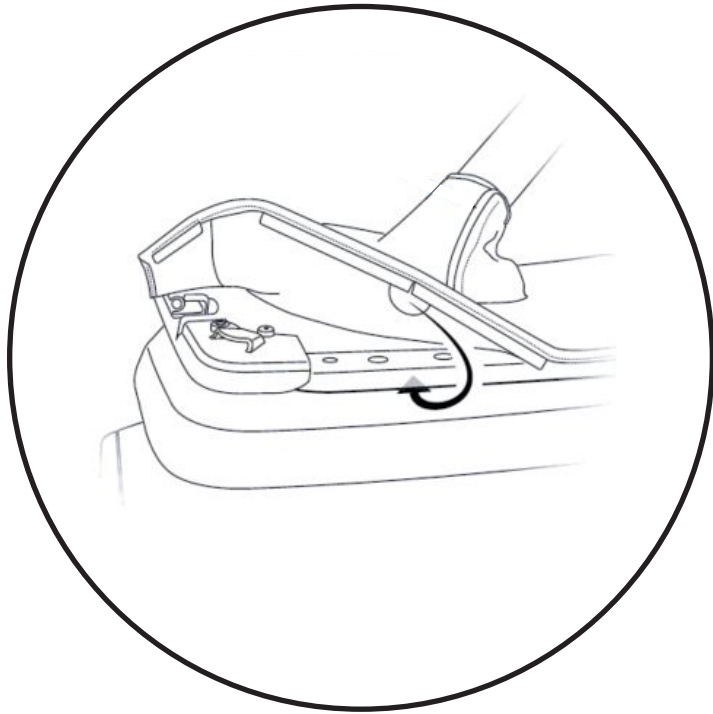
Sewn-in P-Extrusion on underside of rear of Duster slides into this receiver on the back side of the Tailgate Bar.



Duster attached to Tailgate Bar

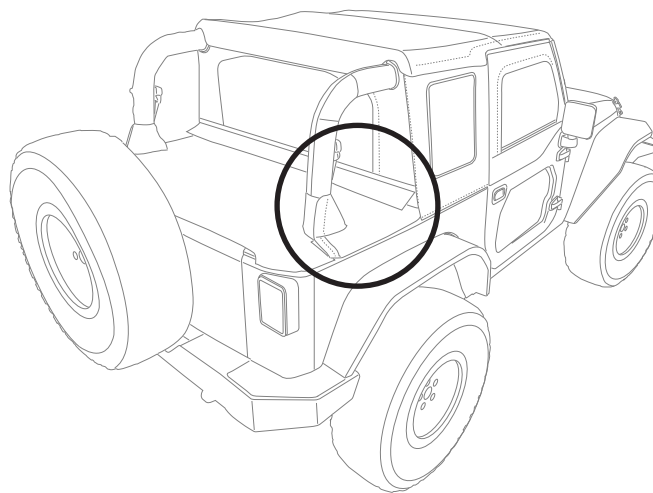






Tuck the plastic tabs along the left and right edges of the Duster underneath the Jeep belt rail, working from back to front. Make sure to tuck the straight tabs as well as the semi-circular tabs under the belt rail.

Tuck all side plastic tabs under the belt rail, from back to front, and then tuck the plastic tabs at the rear corners under the belt rail.

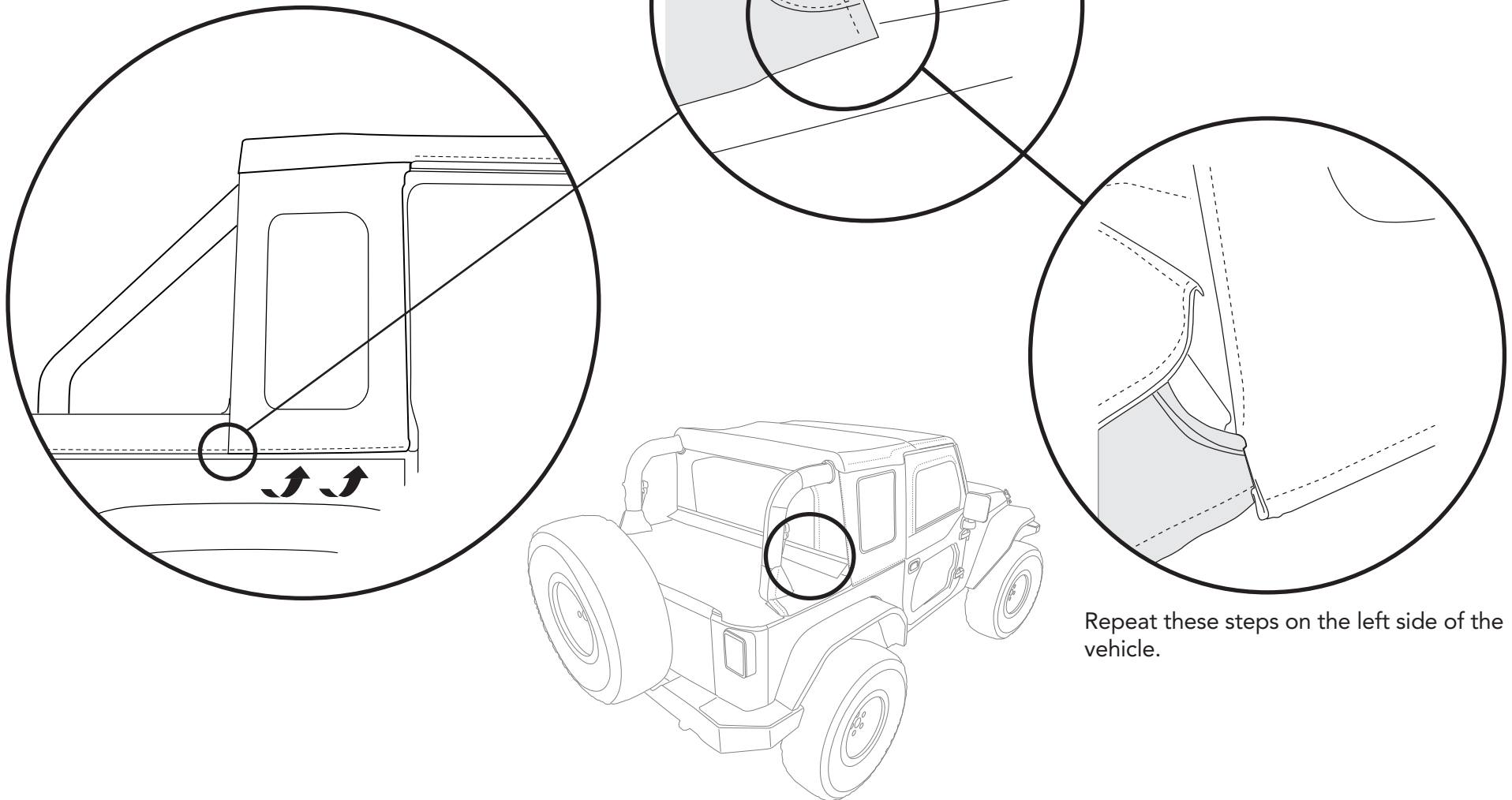


- 1 Wrap the hook-&-loop sleeves around the sport bar downtubes, and attach hook-&-loop strips together snugly.
- 2 Press the Hook and Loop together along the side of the Duster cover.

Repeat on left side of vehicle.

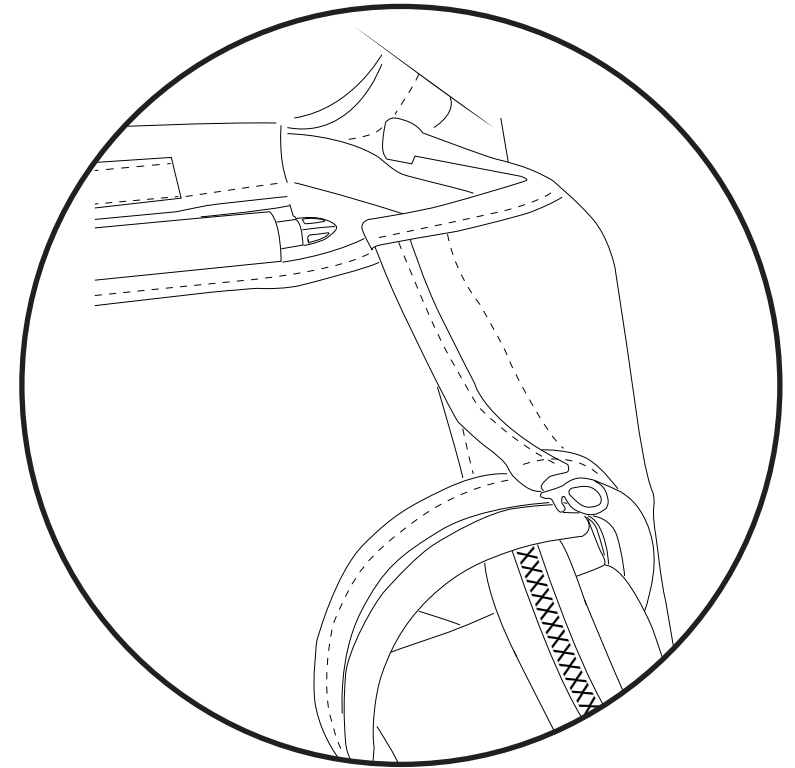
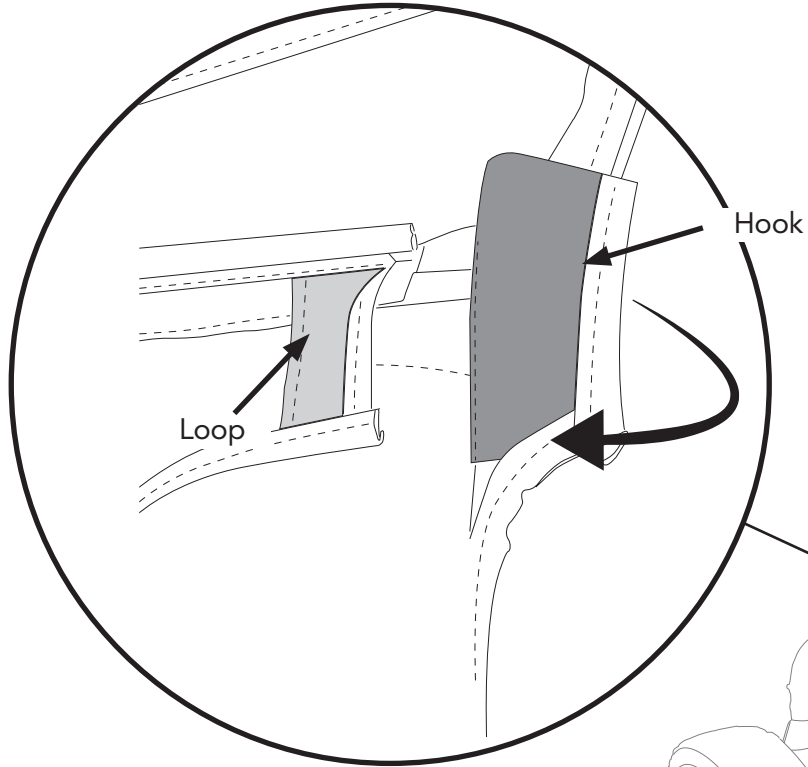
Tuck the plastic strip along the bottom edge of the Right Side Panel under the Jeep belt rail, by rolling it up underneath the belt rail, beginning at the rear, and working your way forward.

**NOTE:** Make sure you tuck the tab on the front edge of the Duster under the bottom edge of the Side Panel.

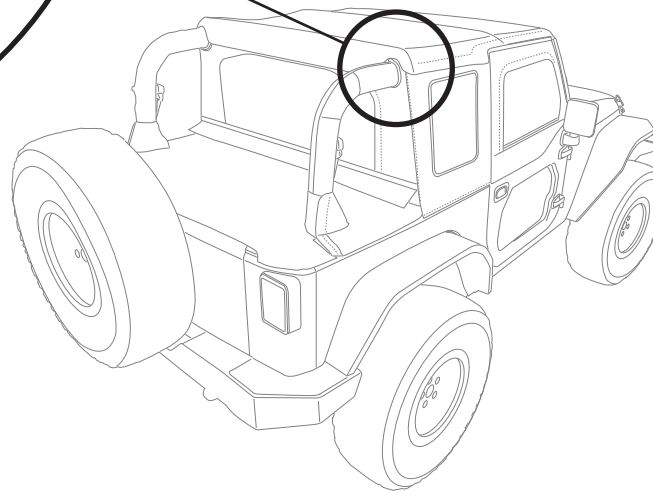


1

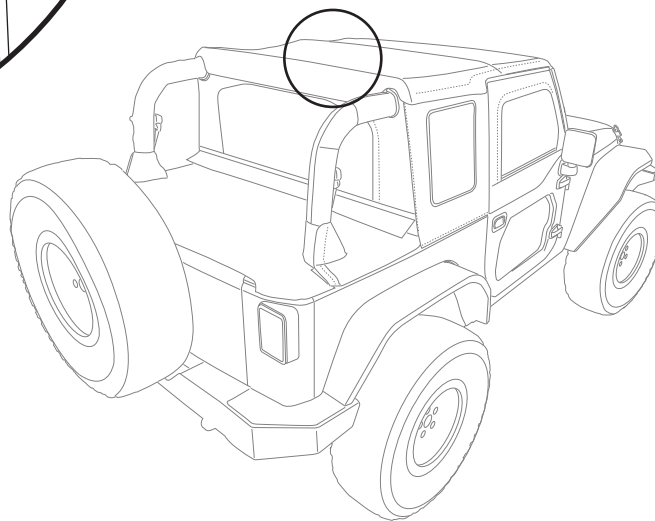
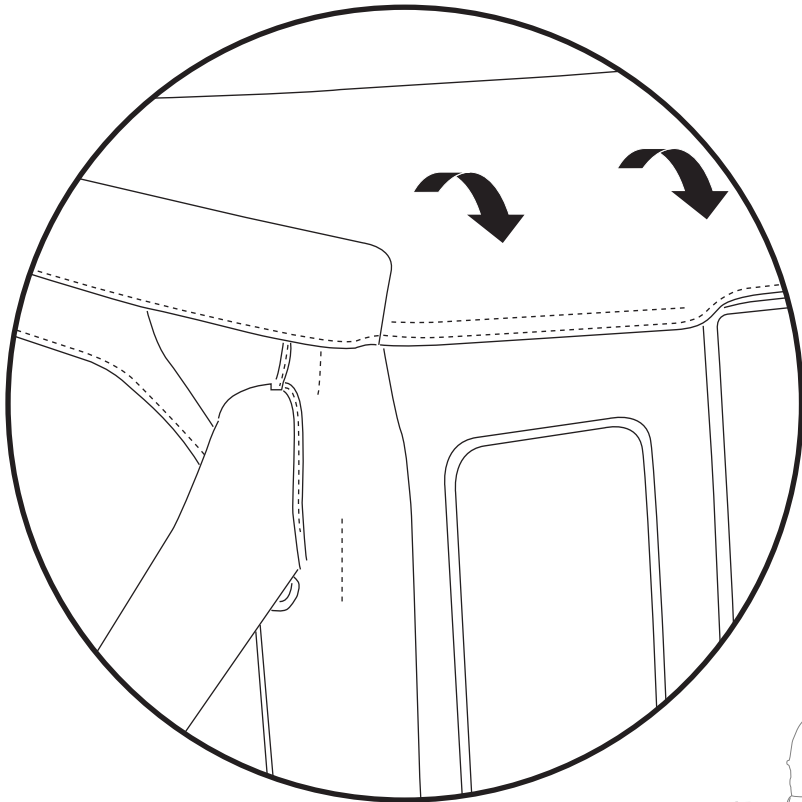
Secure the Hook and Loop flaps along the top of the Windjammer that go over and under the sport bar.



Repeat these steps on the left side of the vehicle.



Secure the Hook and Loop along the side edge of the Top to the top edge of the Windjammer.





# Installation Instructions

## JK 2 Door Trektop Halftop

Vehicle Application:  
Jeep® Wrangler JK 2007-2018  
Part Number 53900

### WHAT BESTOP WARRANTS

Subject to the terms and conditions of sale, including any terms and conditions set forth by Bestop, Inc. (“Bestop” or “us” or “we”) in our then-current terms of sale on our website (collectively, the “Terms”), Bestop represents and warrants that: the covered products listed in the “Covered Products and Warranty Periods” section (a “Product”) will substantially be free from defects in materials and workmanship for the specified warranty periods set forth in that section.

### THE WARRANTY IS LIMITED AND CONDITIONAL

This warranty applies to the original purchaser of the Product only. The warranty is valid only as long as the original retail purchaser owns the vehicle upon which the Product is installed. The warranty expires should the Product be removed from the original vehicle or if the original vehicle is transferred to another owner.

This warranty is not transferable or assignable. The warranty does not apply to Product bought from auction-style or price-bid websites.

THE LIMITED WARRANTY AND STATED REMEDIES ARE SOLE AND EXCLUSIVE AND IN LIEU OF ALL OTHER WARRANTIES AND REMEDIES, AND COMPANY EXPRESSLY DISCLAIMS ALL IMPLIED OR STATUTORY OR OTHER WARRANTIES, INCLUDING WITHOUT LIMITATIONS WARRANTIES OF MERCHANTABILITY, NON-INFRINGEMENT OR FITNESS FOR A PARTICULAR PURPOSE. IN NO EVENT WILL COMPANY BE LIABLE FOR ANY SPECIAL, INCIDENTAL, CONSEQUENTIAL, PUNITIVE, INDIRECT OR EXEMPLARY DAMAGES OF ANY KIND, INCLUDING LOST PROFITS OR REVENUE, HOWEVER CAUSED, WHETHER FOR BREACH OR REPUDIATION OF CONTRACT, TORT, BREACH OF WARRANTY, NEGLIGENCE, OR OTHERWISE, WHETHER OR NOT COMPANY WAS ADVISED OF THE POSSIBILITY OF SUCH LOSS OR DAMAGES.

*Some states do not allow exclusion or limitation, so this may not apply to you. This warranty gives you specific legal rights, and you may have other rights which vary from state to state.*

### EXCLUSIONS TO THE WARRANTY

The Limited Warranty excludes, and Bestop is not liable in any way for any warranty claims, damages, or defects related to:

- Misuse, abuse, accidents, vandalism, negligence, fire, or improper installation or modification, or improper or inadequate maintenance;
- Failure to comply with any Product documentation, Bestop instructions, or applicable law or regulations; use in extreme conditions
- Force Majeure including but not limited to, earthquake, hurricane, tornado, flooding, or other disasters natural or man-made, civil unrest, strikes, declared or undeclared war, or lack of performance by, or discontinued product of, supply chain partners whose products, software, operations or management is beyond the control of Bestop;
- Damage resulting in breakage (including without limitation, spontaneous breakage, accidental breakage or breakage by any other means) of a Product or any component part;
- Damage to vinyl windows due to misuse, or cracking due to varying weather conditions.

### YOUR SOLE REMEDY

During the applicable warranty period, Bestop shall, at its option, either repair or replace any Product that it confirms, in its discretion, is non-compliant with the warranties herein. Bestop will not pay for labor charges associated with installation or removal of the Product. Should a specific Product be discontinued, Bestop may, at its option, replace the discontinued Product with a current product or like product.

Please retain your proof of purchase. Original proof of purchase for the Product must accompany any warranty claim. If you have a warranty claim, first you must email Bestop Customer Service at [csbestop@bestop.com](mailto:csbestop@bestop.com) for instructions. All claims must be emailed to [csbestop@bestop.com](mailto:csbestop@bestop.com) within 30 days of discovery of a defective Product, but in no event later than thirty days after the end of the applicable Warranty Period (the “Warranty Notice Period”). Warranty claims made after the Warranty Notice Period are null and void and Bestop shall have no responsibility with respect to such claims.

THIS SECTION SETS FORTH BESTOP’S SOLE OBLIGATION & YOUR SOLE REMEDY WITH RESPECT TO ANY DEFECTS OR OTHER PRODUCT ISSUE. ANY PRODUCTS REPLACED UNDER TERMS OF THIS WARRANTY WILL BE COVERED UNDER TERMS & BALANCE OF THE DURATION OF THE ORIGINAL LIMITED WARRANTY FOR SUCH PRODUCT.



# Installation Instructions JK 2 Door Trektop Halftop

Vehicle Application:  
Jeep® Wrangler JK 2007-2018  
Part Number 53900

**COVERED PRODUCTS AND WARRANTY PERIODS:** The warranty time periods are as follows for Products manufactured by Bestop:

## **BESTOP® LIMITED LIFETIME WARRANTY**

Trektop® Pro Twill Fabric Top Sunrider® for Hardtop Twill Fabric Top  
Trektop® NX Glide Twill Fabric Top Replace-a-Top™ Twill Fabric Top  
Trektop® NX Twill Fabric Top Supertop® NX Twill Fabric Top  
EZFold™ Soft Tonneaus Floor & Cargo Liners  
ZipRail™ Soft Tonneaus Pet Barriers  
EZRoll™ Soft Tonneaus

## **BESTOP® 5-YEAR LIMITED WARRANTY**

Trektop® NX Glide™ Top (non-Twill) Sunrider® for Hardtop (non-Twill) Replace-a-Top™ Top (non-Twill) Trektop® NX Top (non-Twill)  
Sailcloth Replace-a-Top™ Supertop® NX Top (non-Twill)  
Tigertop™ and Halftop™ Supertop® Classic Soft Top Sunrider® Complete Soft Top Supertop® for Truck  
EZ Fold Hard Tonneau

## **BESTOP® 3-YEAR/100K MILES LIMITED WARRANTY**

Powerboard® & Powerboard® NX  
Trekstep®, Side Mount  
Trekstep®, Rear Mount

## **BESTOP® 3-YEAR LIMITED WARRANTY**

Pavement Ends Sprint Top

## **BESTOP® 2-YEAR LIMITED WARRANTY**

Trektop® Classic Soft Top  
RoughRider™ Soft Storage

## **BESTOP® 1-YEAR LIMITED WARRANTY**

All other Bestop® & Pavement Ends™ products not specified above.

**For further information or request for warranty work, please contact:**

**Bestop Inc. Customer Service**  
**Toll-Free: (800)845-3567**  
**E-mail: [csbestop@Bestop.com](mailto:csbestop@Bestop.com)**  
**Website: [www.Bestop.com](http://www.Bestop.com)**