



Installation Instructions Header Bikini®, Safari Version


For Use With or Without Door Surrounds




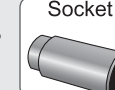

Vehicle Application

- Jeep Wrangler JK Unlimited (4 Door)
2010 to Current
Part Number: 52584

Must be used with a Windshield Header Kit Part Number 51243.

www.Bestop.com - We're here to help! Visit our web site and click on ["Ask a Question"](#). Click here for more [Jeep Accessories by Bestop](#).

INSTALLATION TIME	SKILL LEVEL
 1/4 Hour	1 <input type="radio"/> 2 <input type="radio"/> 3 <input type="radio"/> 4 <input type="radio"/> 1 - Easy

TOOLS				
 Utility Knife	 Torx Wrench T-30	 Ratchet	 Socket 10 mm	 Safety Glasses



This product must be used with a Windshield Header Kit Part Number 51243.

Installation Tips

Before you begin installing this assembly, read all instructions thoroughly.

For a smooth fit:

For ease in installation, the product should be installed at temperatures above 72° F. Below this temperature, the fabric may contract an inch or more, making it difficult to fit to the vehicle. It is normal for fabric to contract and wrinkle when stored in the shipping carton. Within a few days after the installation, the fabric will relax and the wrinkles will disappear.

CAUTION Safety glasses should be worn at all times while installing this product.

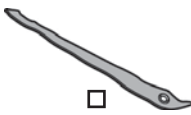
WARNING This product is designed primarily to enhance the appearance of the vehicle and to shield the occupants from ordinary weather conditions. Do not rely in any way on the components of this product to contain occupants within the vehicle, or to protect against injury or death in the event of an accident. This product will not protect the occupants from falling objects. Never operate the vehicle in excess of manufacturer's specifications.

WEAR SEAT BELTS AT ALL TIMES

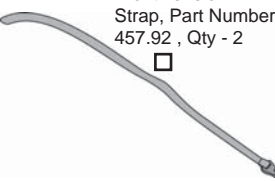
Read and follow, precisely, all installation instructions provided when installing product. Failure to do so may result in a poor fit and could place occupants of the vehicle in a potentially dangerous situation.


Header Bikini®, Safari Version – Installation Instructions

Parts List

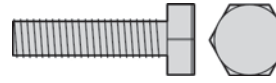
- | | |
|-------------------|---------|
| Bikini Top Fabric | Qty - 1 |
|-------------------|---------|
-
- 

Web Strap with Grommet,
Part Number 486.32,
Qty - 2



Front Tension
Strap, Part Number
457.92 , Qty - 2
-
- 

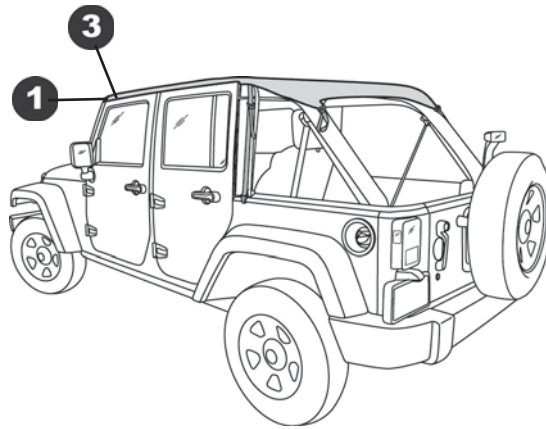
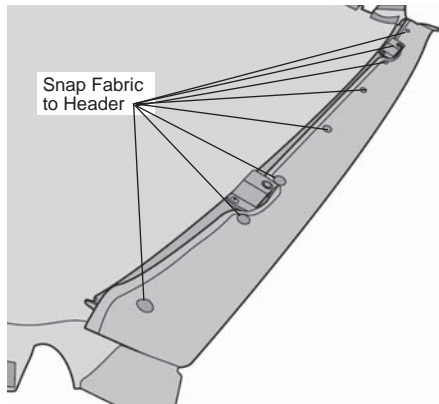
Strap Clip, Part Number
338.24, Qty - 6



M6 x 20mm Bolt, Part
Number 322.41, Qty - 2

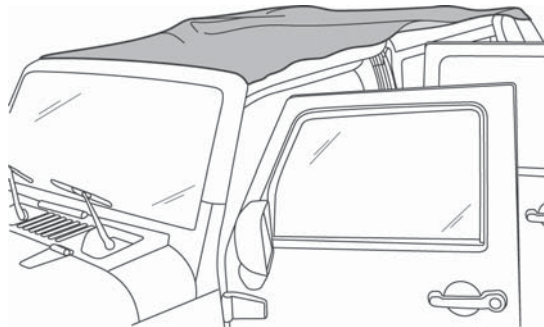
1 Snap Bikini to Header

Slide the pocket sewn along the front of the Bikini over the edge of the header and snap it to the snaps.



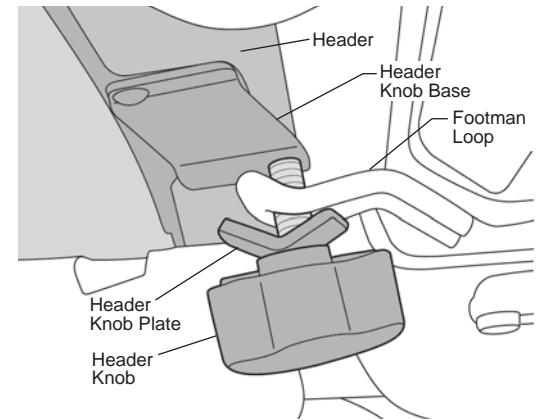
2 Drape Bikini over Vehicle

Drape the Bikini fabric over the vehicle.



3 Secure Header to Windshield

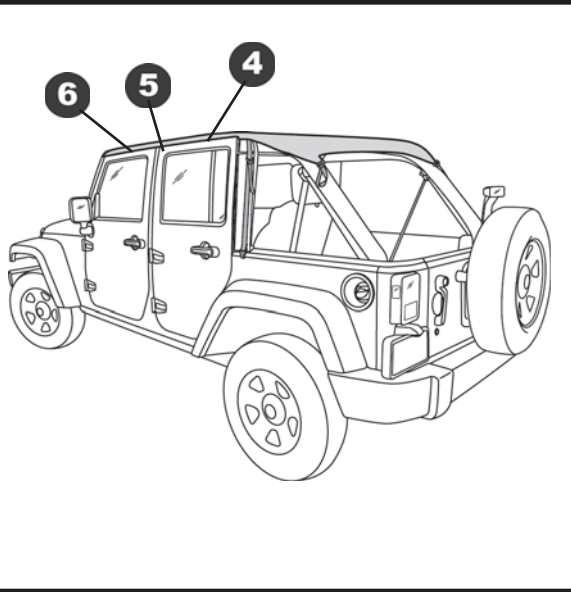
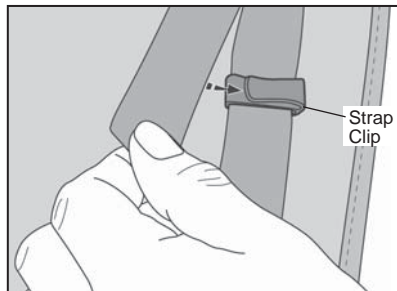
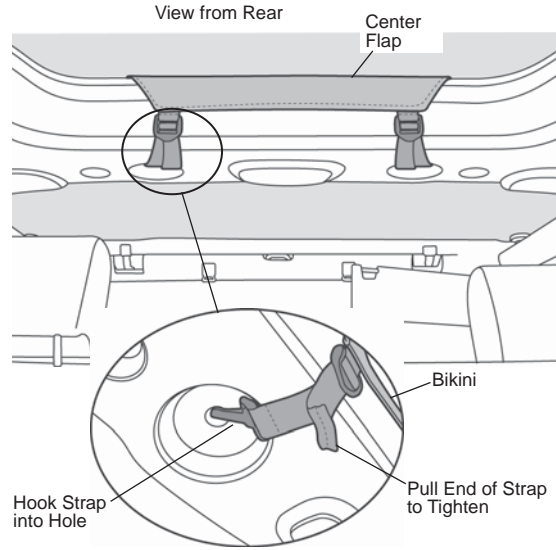
Center the Bikini on the vehicle. Place the tabs on the Header Knob Bases above the footman loops in the windshield frame. Place a Header Knob Plate under a footman loop. Install a Header Knob through the plate and footman loop and thread it into the Header Knob Base. Repeat this with both Header Knob Bases.



Header Bikini®, Safari Version – Installation Instructions

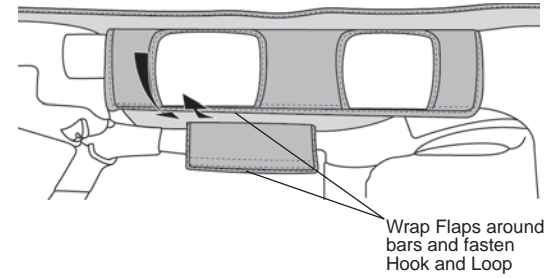
4 Secure Center Strap

Drape the Bikini over the speaker pod. Locate the two straps sewn to the center flap of the bikini. Pull the straps under the pod and hook each strap into the opening as shown. Pull the end of each strap to tighten securely. Install a Strap Clip to secure the end of the strap.



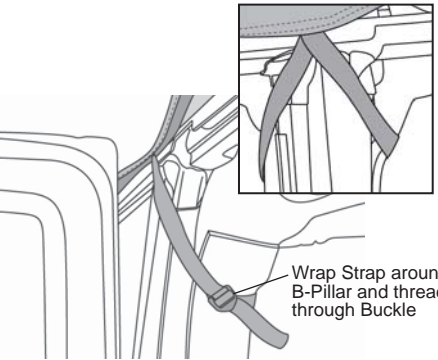
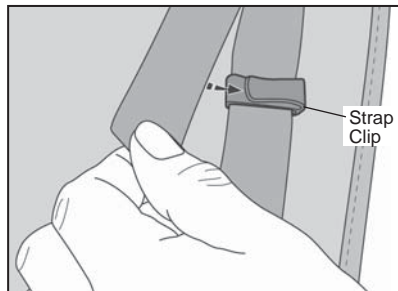
6 Secure Flaps

Wrap the flap above the door opening around the horizontal sport bar and fasten the hook and loop. Repeat on both sides.



5 Secure B-Pillar Straps

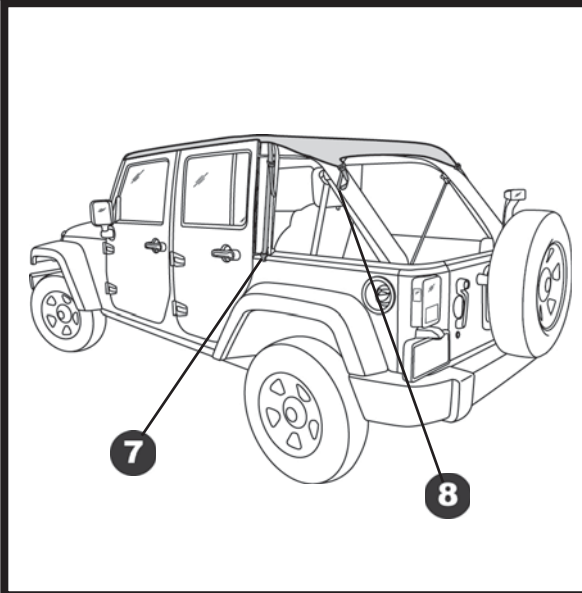
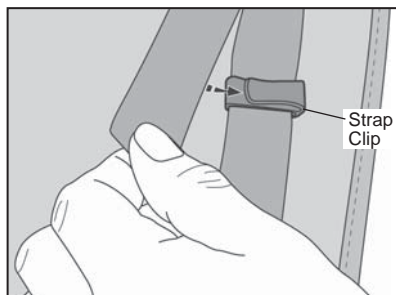
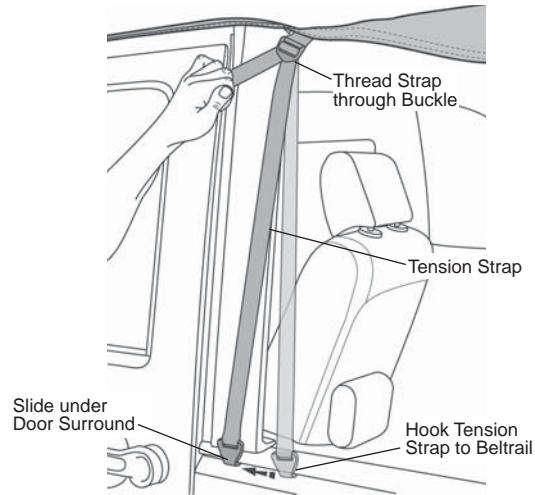
Wrap the strap around the B-Pillar between the front and rear door. Thread the strap through the buckle and pull it tight. Repeat on both sides. Install a Strap Clip to secure the end of the strap.



Header Bikini®, Safari Version – Installation Instructions

7 Install Side Tension Strap

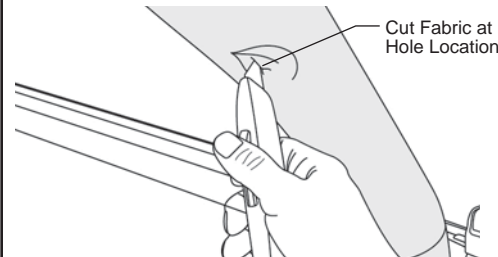
Thread a Tension Strap through the buckle on the side of the Bikini.
 Hook the end of the strap under the beltrail and slide it under the door surround. Pull the strap tight and install a Strap Clip to secure the end of the strap.



Vehicles without a Soft Top Pivot Bracket

8 Install Web Strap with Grommet

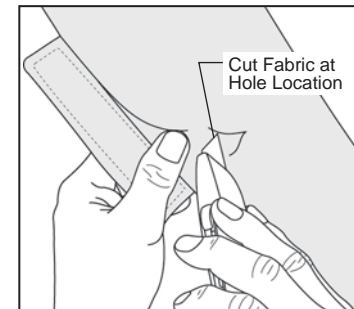
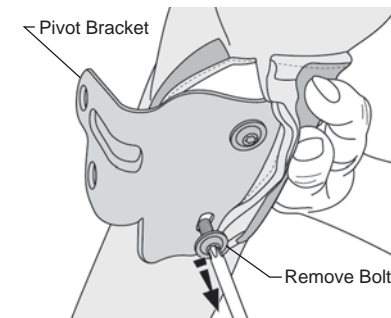
Feel through the sport bar cover and locate the bottom hole in the sport bar. Use a utility knife to cut a hole in the sport bar cover over the location of the hole. Repeat on both sides of the vehicle.



Vehicles with a Soft Top Pivot Bracket

8 Install Web Strap with Grommet

Open the sport bar cover and locate the bottom pivot bracket bolt. Remove the bolt. Use a utility knife to cut a hole in the sport bar cover over the location of the bolt hole. Repeat on both sides of the vehicle.

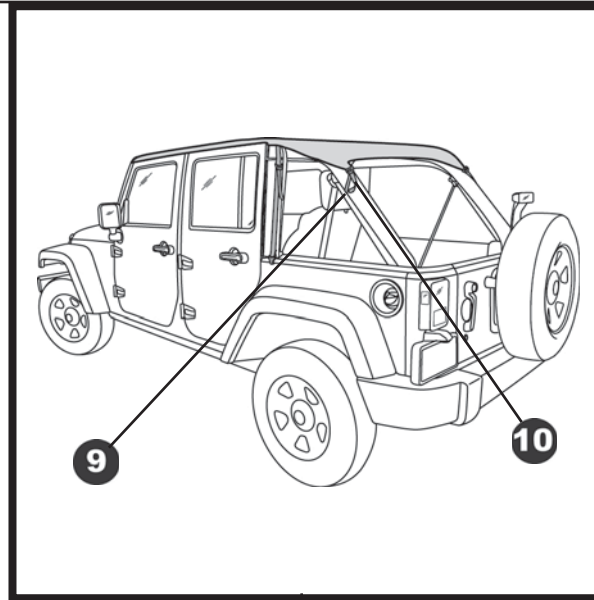
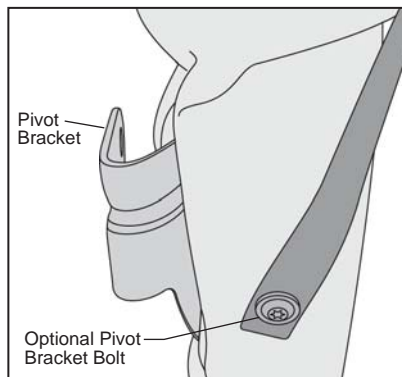
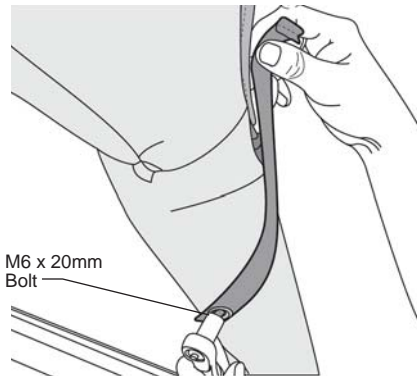


Header Bikini®, Safari Version – Installation Instructions

9 Install Web Strap with Grommet

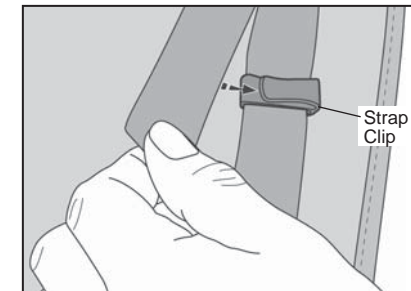
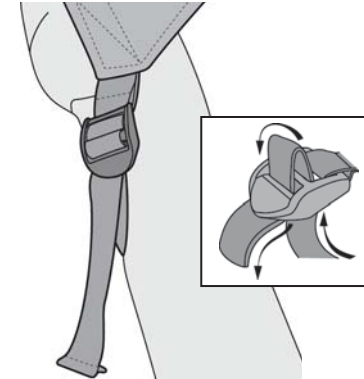
Place the grommet in the Web Strap over the hole in the sport bar cover and secure with the M6 x 20mm Bolt. Repeat on both sides.

NOTE For vehicles with Pivot Brackets, you may either use the M6 x 20mm Bolt or reinstall the bolt removed from the bracket in Step 8.



10 Thread Web Strap through Buckle

Thread the Web Strap through the Buckle sewn to the Bikini and pull tight. Install a Strap Clip to secure the end of the strap. Repeat on both sides.



Header Bikini®, Safari Version – Installation Instructions

Care and Maintenance of your Bestop Product

Your Bestop product is made of the finest materials available. To keep it looking new and for the maximum possible wear, it will need periodic cleaning and maintenance.

Fabric: The fabric should be washed often using soap, warm water and a soft bristle brush. Rinse with clear water to remove all traces of soap or use Bestop-recommended Bestop Cleaner and Bestop Protectant. Bestop Cleaner and Bestop Protectant are specially formulated to provide a total cleaning and protection system. Bestop Cleaner will not harm vehicle finish, is biodegradable and environmentally friendly. Bestop Protectant protects against UV-fading, cracking and hardening.

Water: Seeping through at the seams may be stopped by applying 3-M Scotchgard® on the inside of the seams. Rips in the fabric may be repaired with Bondex® iron on patches. Iron the patches to the Inside of the top, carefully following the Bondex® instructions.

LIMITED WARRANTY

We warrant our product to be free from defects in material and workmanship, for the terms specified below, provided there has been normal use and proper maintenance. This warranty applies to the original purchaser only. All remedies under this warranty are limited to the repair or replacement of any item or items found by the factory to be defective within the time period specified. If you have a warranty claim, first you must call our factory at the number below for instructions. You must retain proof of purchase and submit a copy with any items returned for warranty work. Upon completion of warranty work, if any, we will return the repaired or replaced item or items to you freight prepaid. Damage to our products caused by accidents, fire, vandalism, negligence, misinstallation, misuse, Acts of God, or by defective parts not manufactured by us, is not covered under this warranty.

THE WARRANTY TIME PERIOD IS AS FOLLOWS FOR REPLACE-A-TOP™, SAILCLOTH REPLACE-A-TOP™, SUPERTOP®, SUPERTOP® REPLACEMENT SKINS, SUNRIDER®, AND TIGERTOP®: TWO YEARS FROM DATE OF PURCHASE.

THE WARRANTY TIME PERIOD IS AS FOLLOWS FOR ALL OTHER “SOFT GOODS” MANUFACTURED BY OUR COMPANY (USING PRIMARILY VINYL, PLASTICS, AND/OR FOAM): ONE YEAR FROM DATE OF PURCHASE.

THE WARRANTY TIME PERIOD IS AS FOLLOWS FOR ALL OTHER “HARD GOODS” MANUFACTURED BY OUR COMPANY (USING PRIMARILY METALS, PLASTICS, AND/OR FIBERGLASS): ONE YEAR FROM DATE OF PURCHASE.

ANY IMPLIED WARRANTIES OF MERCHANTABILITY AND/OR FITNESS FOR A PARTICULAR PURPOSE CREATED HEREBY ARE LIMITED IN DURATION TO THE SAME DURATION AND SCOPE AS THE EXPRESS WRITTEN WARRANTY. OUR COMPANY SHALL NOT BE LIABLE FOR ANY INCIDENTAL OR CONSEQUENTIAL DAMAGE.

Some states do not allow limitations on how long an implied warranty lasts, or the exclusion or limitation of incidental or consequential damages, so the above limitations or exclusions may not apply to you. This warranty gives you specific legal rights, and you may also have other rights which vary from state to state.



For further information or request for warranty work, please contact:
Bestop Inc., Customer Service
Toll-Free: (800)845-3567
Main: (303)465-1755
E-mail: csbestop@Bestop.com
Website: www.Bestop.com