



Installation Instructions Twill Upper Rear Doors

Vehicle Application:
Jeep® JK Wrangler and JK Wrangler Unlimited
2007-2018
Part Number 51733-17

Installation Tips

Before you install your new Bestop Core Doors, please read all the instructions thoroughly.


! WARNING This product is designed primarily to enhance the appearance of the vehicle and to shield the occupants from ordinary weather conditions. Do not rely in any way on the components of this product to protect against injury or death in the event of an accident. Never operate the vehicle in excess of manufacturer’s specifications.


Read and follow, precisely, all installation instructions provided when installing this product. Failure to do so may result in a poor fit and could place occupants of the vehicle in a potentially dangerous situation.

! CAUTION Safety glasses should be worn at all times when installing this product.

WEAR SEAT BELTS AT ALL TIMES



Tools
 Safety Glasses

Installation Time
 30 Minutes
Skill Level
<div style="display: flex; justify-content: space-around;"> 1 2 3 4 </div> 1 - Easy

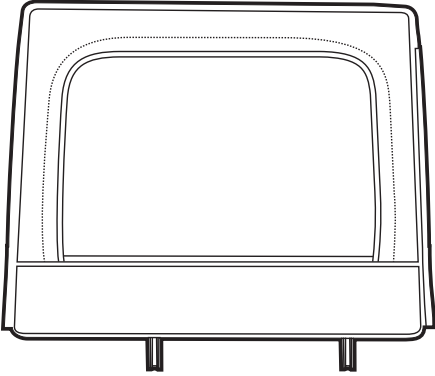
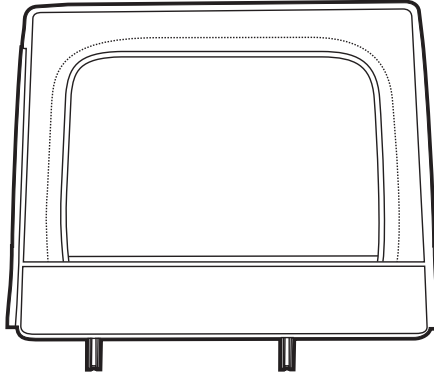


Installation Instructions Twill Upper Rear Doors

Vehicle Application:
Jeep® JK Wrangler and JK Wrangler Unlimited
2007-2018
Part Number 51733-17

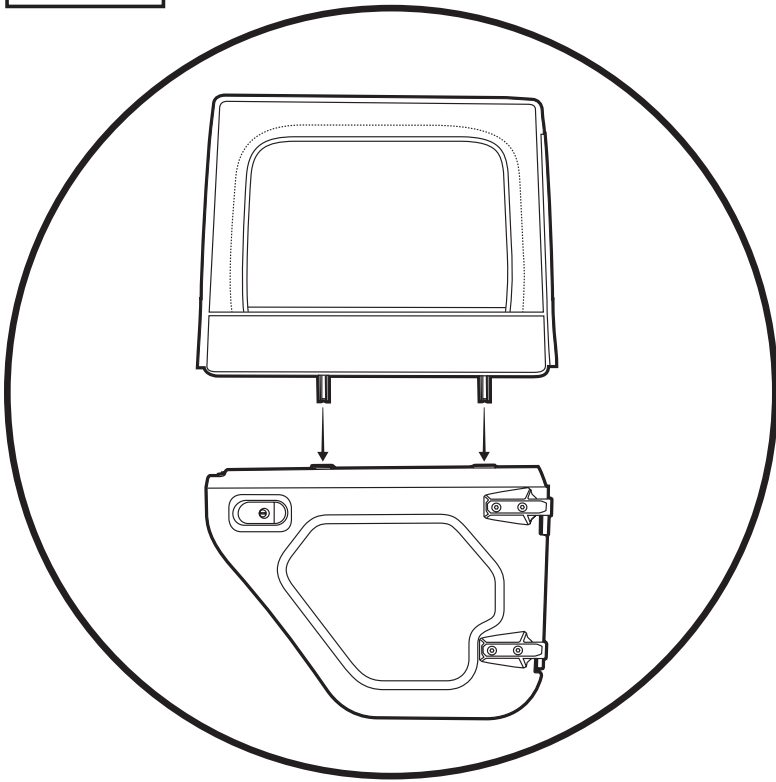
Parts List

- Required parts for installation - Page number in Installation Guide

All Sections	Core Door Parts	Multiple Pages
 <p data-bbox="386 846 630 932">Upper Rear Core Door Right (passenger) Side Qty. 1</p>		 <p data-bbox="1394 846 1638 932">Upper Rear Core Door Left (driver) Side Qty. 1</p>

Section 1 Attach Upper Core Doors to Lower Doors

Step 1



Step 1

Install the Upper Doors into the Lower Doors.

Open the doors.

Starting with the front pin, slip the pins into the sockets in the lower door. Make sure that the pins are well seated in the sockets.

Close the door to check that it fits properly against the Jeep body.

You may lubricate the door pins with a light oil to make it easier to install and remove the Upper Doors.