



Installation Instructions Rear Floor Liner

Vehicle Application:
Jeep® Wrangler JL Unlimited (4 Door)
2018 - current
Part Number 51515

WARNING READ AND FOLLOW ALL INSTRUCTIONS.

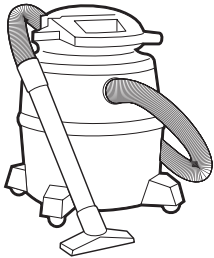
DO NOT STACK ANY OTHER LINERS OR MATS OVER OR UNDER your Bestop Floor Liner. Floor Liner MUST be anchored directly to carpet.


WARNING This product is designed primarily to enhance the appearance of the vehicle. Do not rely in any way on the components of this product to protect against injury or death in the event of an accident. Never operate the vehicle in excess of manufacturer's specifications.

Read and follow, precisely, all installation instructions provided when installing this product. Failure to do so may result in a poor fit and could place occupants of the vehicle in a potentially dangerous situation.

WEAR SEAT BELTS AT ALL TIMES



Tools
 <p>Vacuum Cleaner</p>

Installation Time
 <p>15 minutes</p>
Skill Level
<p>① ② ③ ④</p> <p>1 - Easy</p>



Installation Instructions Rear Floor Liner

Vehicle Application:
Jeep® Wrangler JL Unlimited (4 Door)
2018 - current
Part Number 51515

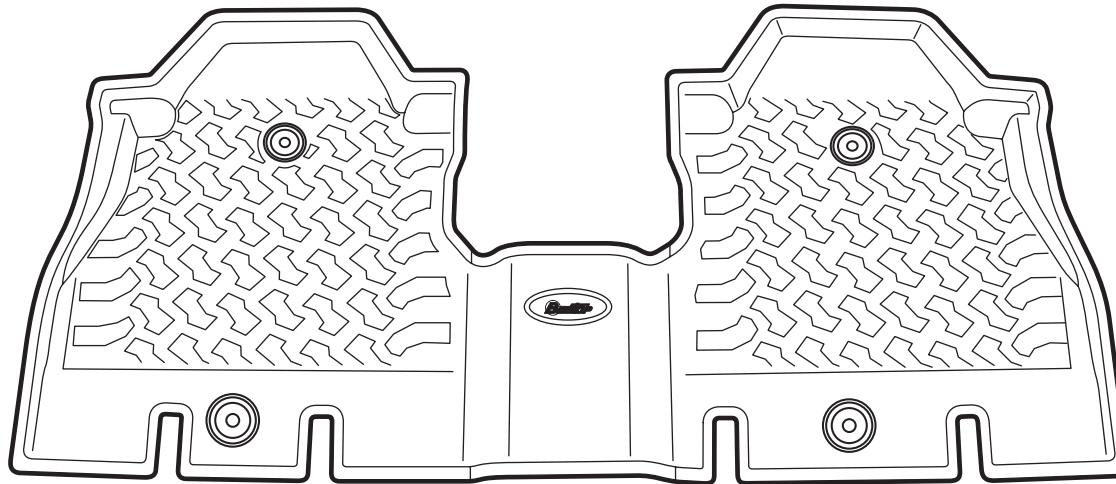
Parts List

- Required parts for installation - Page number in Installation Guide

All Sections

Hardware

Page 3



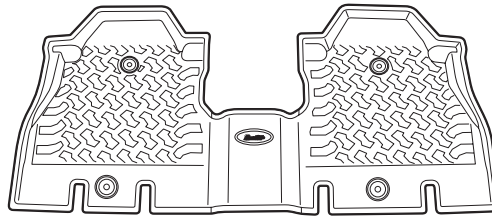
Rear Floor Liner
Qty. 1

Step 1

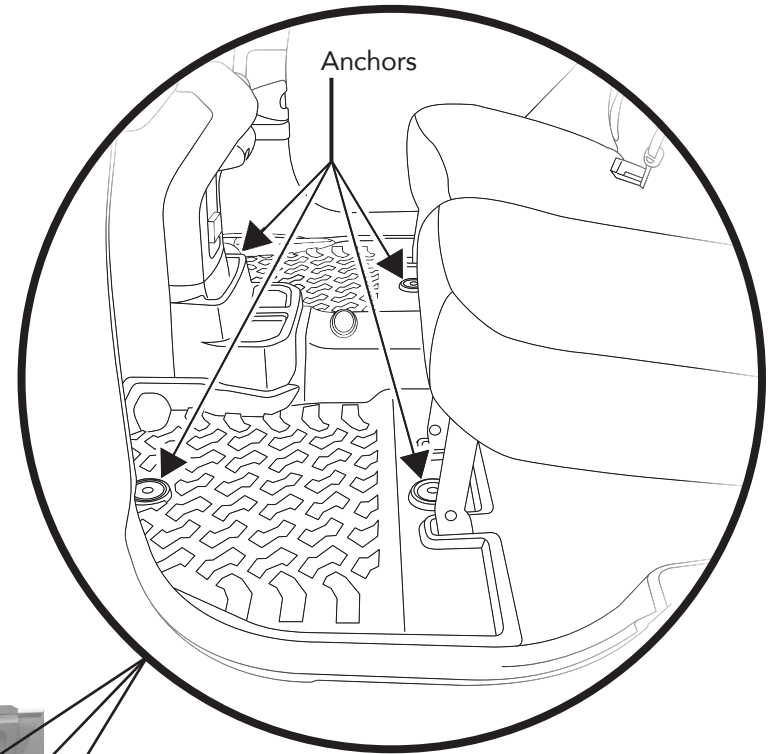
Remove all existing Floor Mats or Liners, according to manufacturer's instructions. Factory installed liners will pull up/off the factory carpet anchors.

Do not stack or combine your Floor Liners over other floor mats or liners.

Vacuum the vehicle carpet and make sure it is completely dry.

Hardware

Rear Floor Liner
Qty. 1

Step 2**Step 2**

Place the Rear Floor Liner into position in the rear seat foot wells.

Make sure that the original equipment carpet anchor buttons pass completely through the anchor holes in the Bestop Floor Liner.

Press down on the floor liner anchors to SNAP them into position around the anchor buttons.

