



Rear Floor Liner

Vehicle Application

- Jeep Wrangler (2 DR)
2007 – 2010
Part Number: 51502

- Jeep Wrangler (2 DR)
2010 – Current
Part Number: 51503

INSTALLATION TIME



1/4 Hour

SKILL LEVEL



1 - Easy

TOOLS



! WARNING

This product is designed primarily to enhance the appearance of the vehicle. Do not rely in any way on the components of this product to protect against injury or death in the event of an accident. Never operate the vehicle in excess of manufacturer's specifications.

WEAR SEAT BELTS AT ALL TIMES

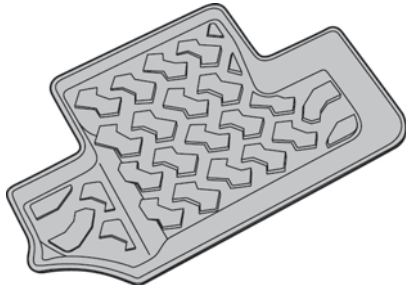
Read and follow, precisely, all installation instructions provided when installing product. Failure to do so may result in a poor fit and could place occupants of the vehicle in a potentially dangerous situation.

Rear Floor Liner

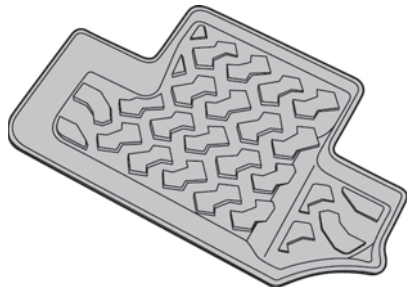
Protector de piso de la parte posterior

Parts List

A Driver Side
Liner



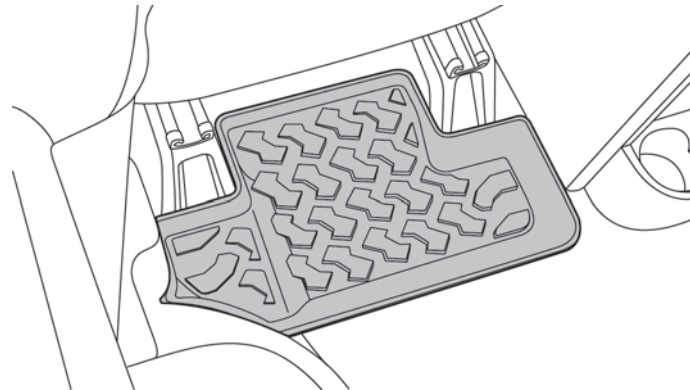
B Passenger Side
Liner



1 Remove All Existing Floor Mats or Liners

Do not stack or combine your floor liners over other floor mats or liners. Vacuum the vehicle carpet and make sure it is completely dry.

2 Install Rear Liner



Discover other car and truck floor mats on our website.