



# Installation Instructions Modular Bumper - Rear

Vehicle Application:  
Jeep® Wrangler 2007-2017  
Part Number 44940

### Installation Tips

Before you begin installing your new Modular Bumper, please read all the instructions thoroughly.

If you have purchased other Modular Bumper accessories, read all instructions carefully, as you may have to assemble these optional accessories before installing this bumper on your vehicle.



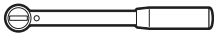






**! WARNING** Do not rely in any way on the components of this product to protect against injury or death in the event of an accident. Never operate the vehicle in excess of manufacturer's specifications.

Read and follow, precisely, all installation instructions provided when installing this product. Failure to do so may result in a poor fit and could place occupants of the vehicle in a potentially dangerous situation.



### WEAR SEAT BELTS AT ALL TIMES

**! CAUTION** Safety glasses should be worn at all times when installing this product.

Tools			Installation Time	
 Safety Glasses	 16mm - 18mm Wrench	 Ratchet		1-1/2 hours
	 13mm - 16mm - 18mm 19mm (or 3/4") sockets		Skill Level	
				
				
			<b>3 - Moderately Difficult</b>	

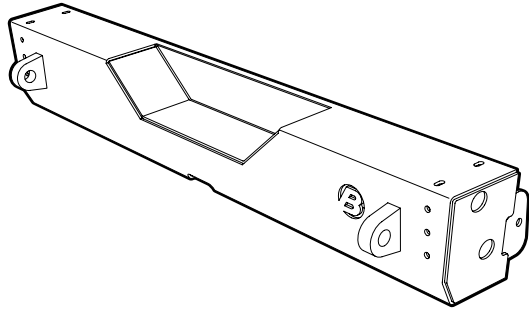
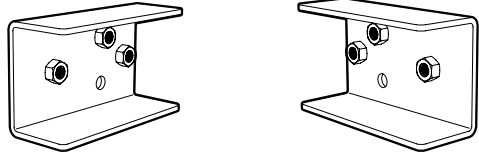
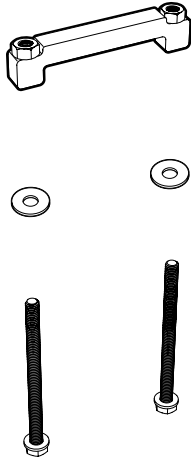


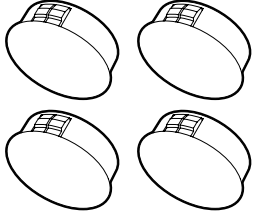
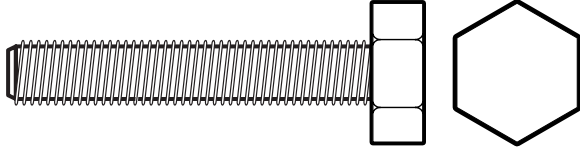
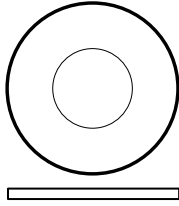
# Installation Instructions Modular Bumper - Rear

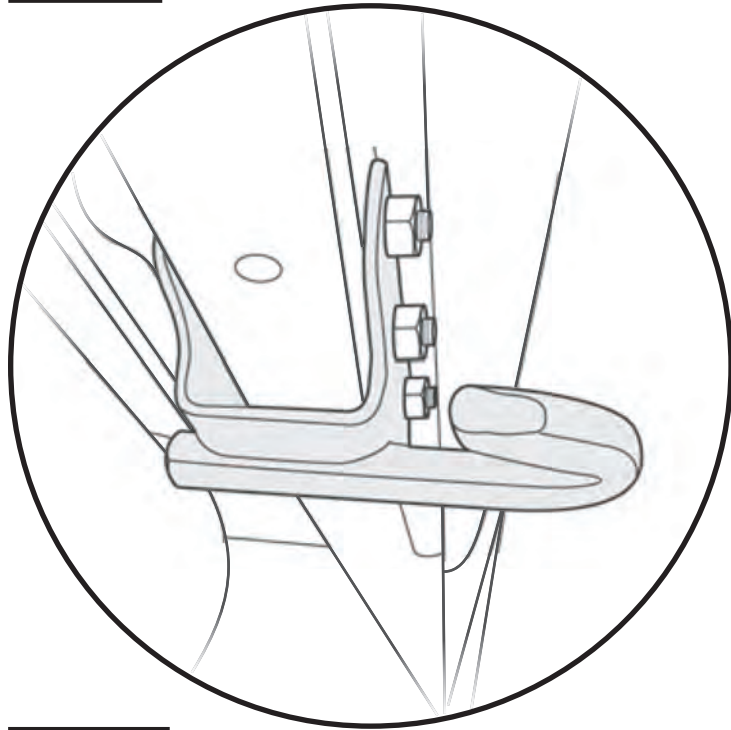
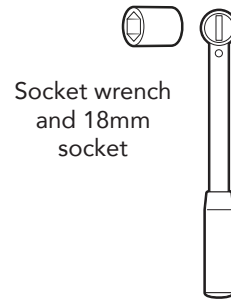
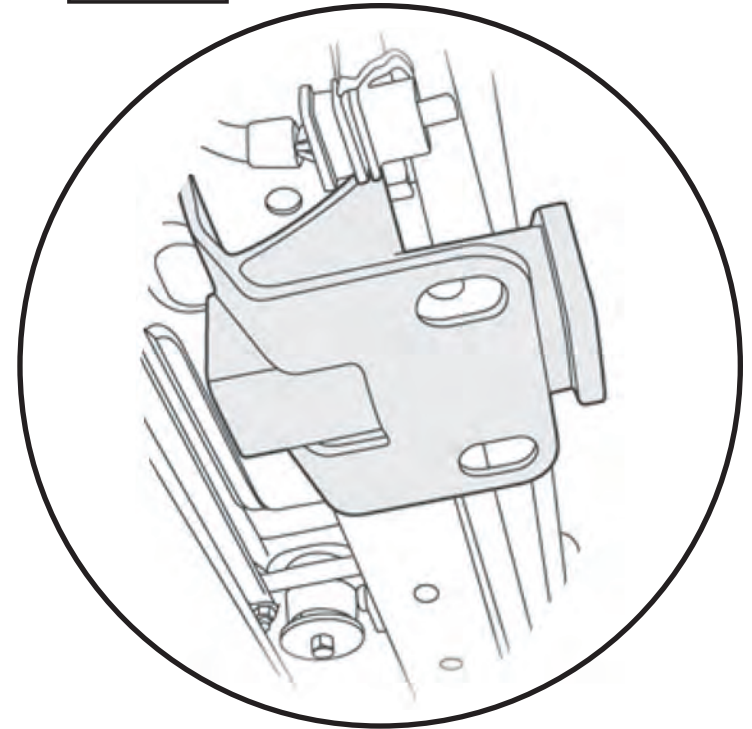
Vehicle Application:  
Jeep® Wrangler 2007-2017  
Part Number 44940

## Parts List

- Required parts for installation

Sections 2 to 4 Attach Brackets; Attach Bumper; Cap Holes		Pages 5 to 7 of Guide
 <p>Rear Bumper Part #518.62 Qty. 1</p>	 <p>Frame Bracket - Right Part #518.63 Qty. 1</p> <p>Frame Bracket - Left Part #518.64 Qty. 1</p>	 <p>Inner Frame Bracket Part #518.65 Qty. 2</p> <p>M8 Flat Washer Part #484.93 Qty. 4</p> <p>M8-1.25x110 Hex Head Bolts Part #518.70 Qty. 4</p>

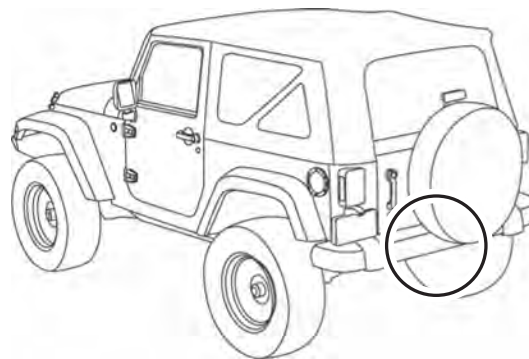
Sections 2 to 4 Attach Brackets; Attach Bumper; Cap Holes		Pages 5 to 7 of Guide
 <p>Casting Hole Caps Part #518.69 Qty. 4</p>	 <p>M12-1.75x55 Hex Head Bolt Part #518.68 Qty. 6</p>	 <p>12mm Flat Washer Part #414.17 Qty. 6</p>

**Step 1****Tools****Step 2****Step 1**

If your vehicle is equipped with a tow hook or tow hitch, you will need to remove these before installing your new Modular Bumper.

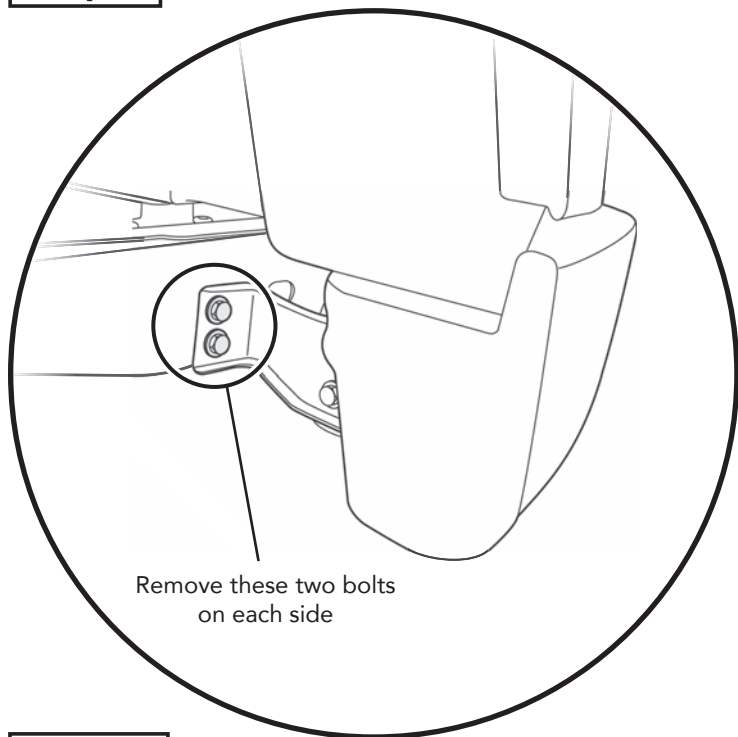
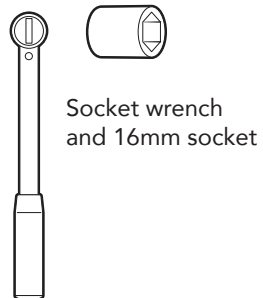
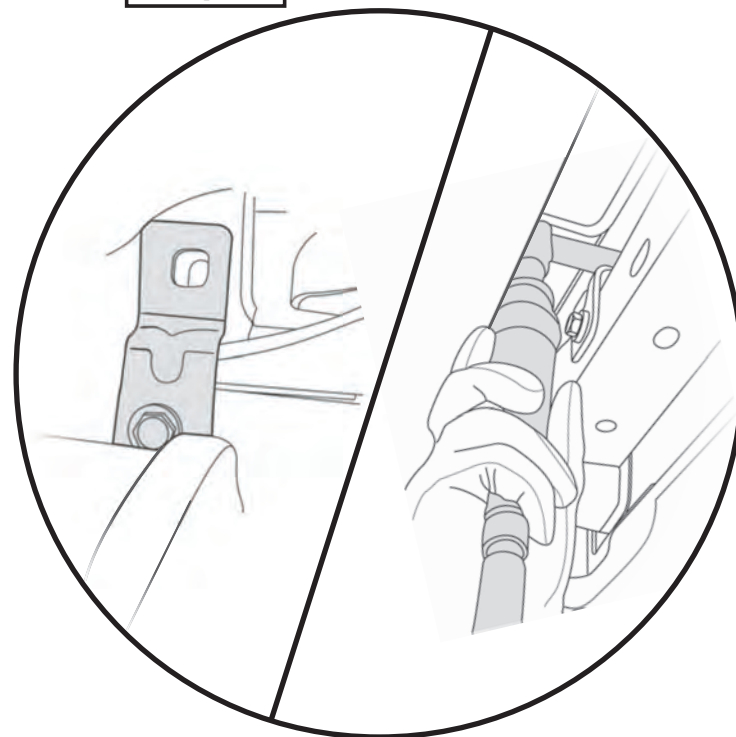
Use an 18mm socket or wrench to remove the three (3) bolts that attach the tow hook to the factory bumper.

If your vehicle is equipped with a spare tire, you will need to remove the tire to make removal of the factory bumper easier.

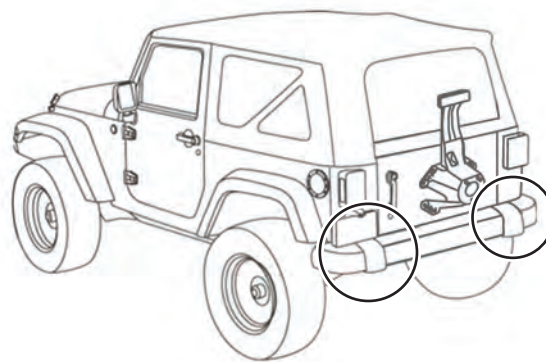
**Step 2**

Use an 18mm socket or wrench to remove the four (4) bolts that attach the tow hitch to the factory bumper.

Save this hardware if you want to re-attach the tow hitch later.

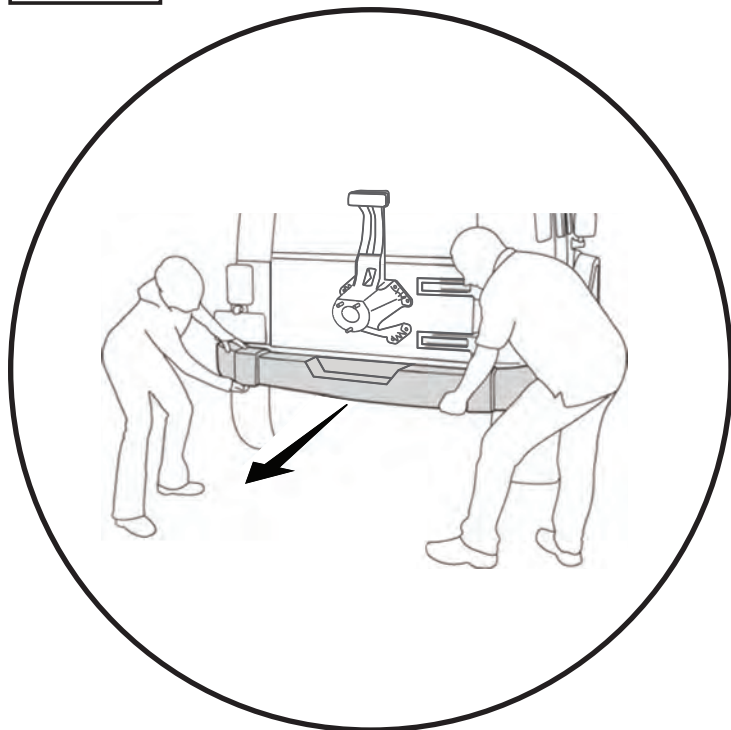
**Step 1****Tools****Step 2****Step 1**

Use a socket wrench with a 16mm socket to remove the two (2) bolts on each side of the factory bumper that attach the bumper to the frame.

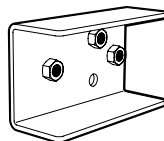
**Step 2**

Use a socket wrench with a 17mm socket to remove all of the bolts that secure the brackets on each side and the middle of the factory bumper, and remove all the brackets.

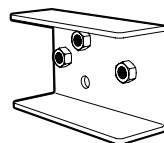
## Step 1



## Hardware



Frame Bracket - Right  
Part #518.63  
Qty. 1

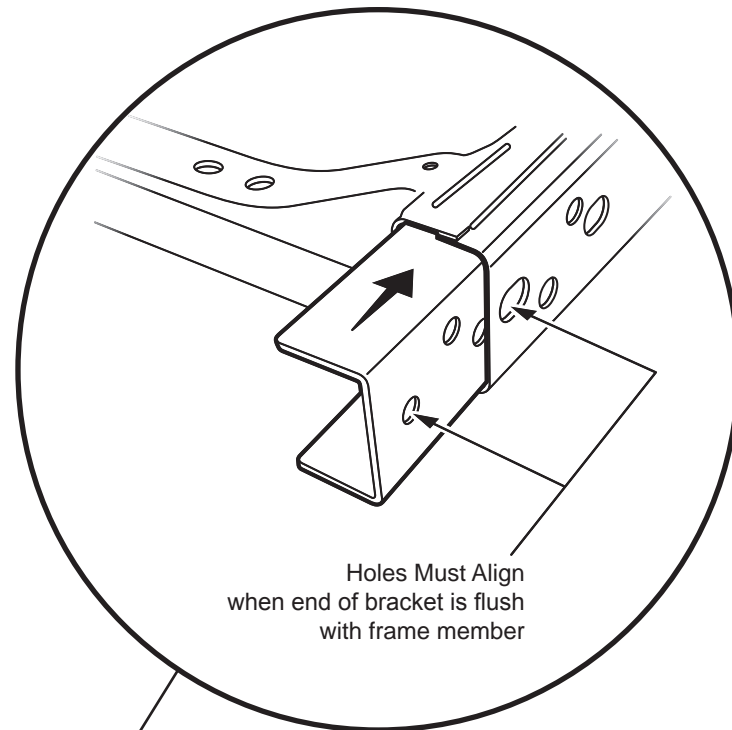


Frame Bracket - Left  
Part #518.64  
Qty. 1

## Step 2

518.63

518.64



Holes Must Align  
when end of bracket is flush  
with frame member

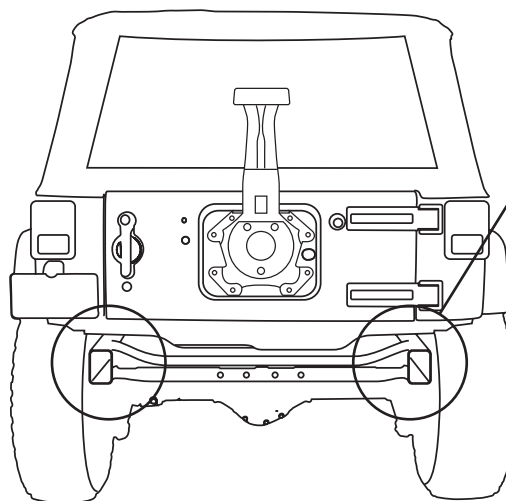
## Step 1

 **CAUTION**

Two or more people may be required to lift the factory bumper safely.

Position a person at either end of the factory bumper and lift it away from the vehicle.

Set the factory bumper aside.



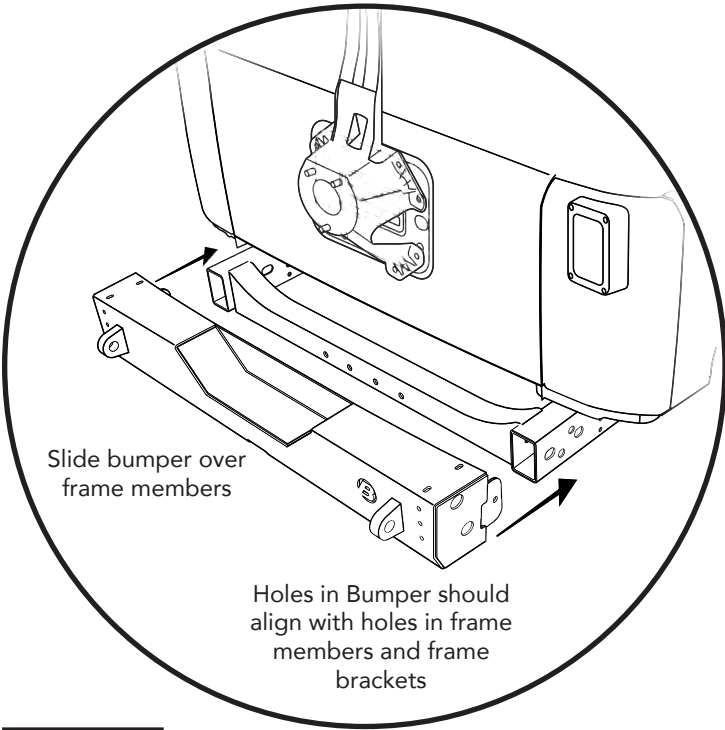
## Step 2

Slide the Frame Brackets Part #518.63 and #518.64 into the vehicle frame members on each side.

Holes in the Frame Brackets must align with holes in the frame members when brackets are inserted so that the end of the bracket is flush with the outer edge of the frame member.

**NOTE:** You may have to clean out the inside of the frame member to get the bracket to slide into the frame member.

**Step 1** 518.62

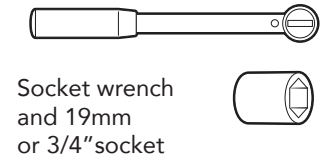
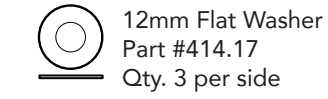
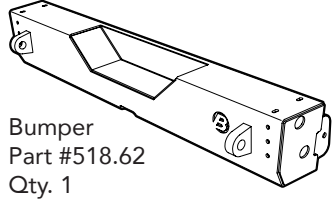


**Step 1**

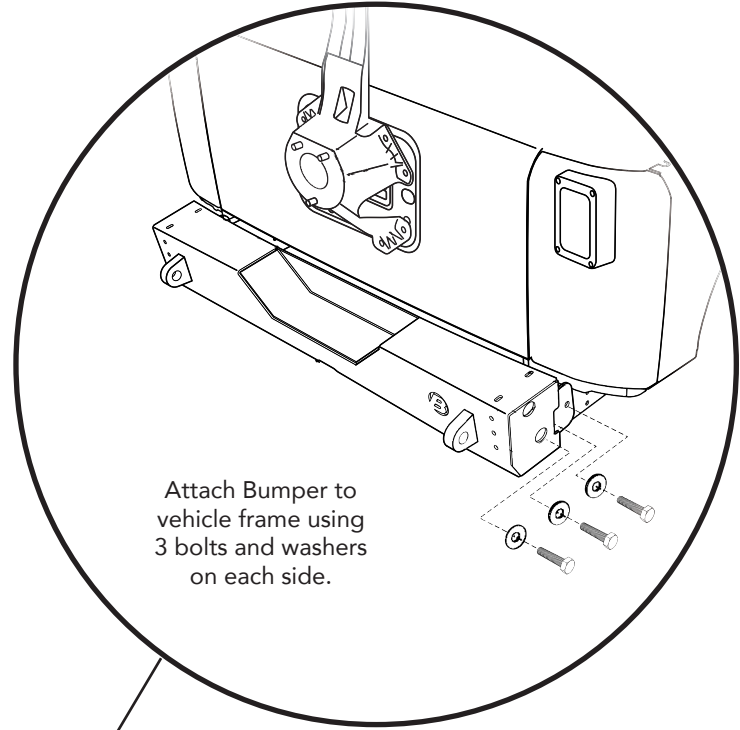
Slide the Bumper Part #518.62 over the vehicle frame members, making sure to align the holes in the bumper with the holes in the frame members and the holes in the Frame Brackets.

**NOTE:** If you have purchased Bestop Bumper End Caps or Tire Carrier - refer to those those instructions now. You will need to install these optional parts before mounting the Modular Bumper to your vehicle.

**Hardware**

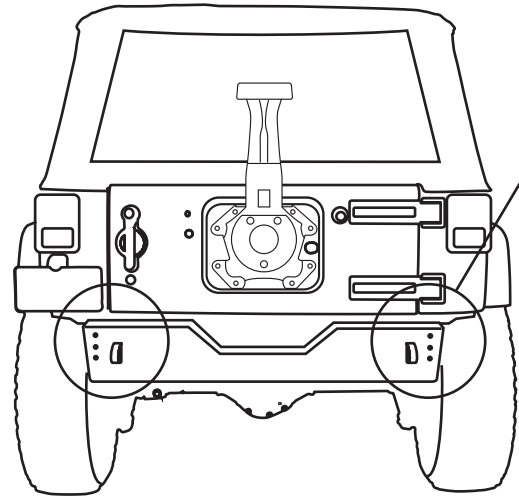


**Step 2** 518.68 414.17



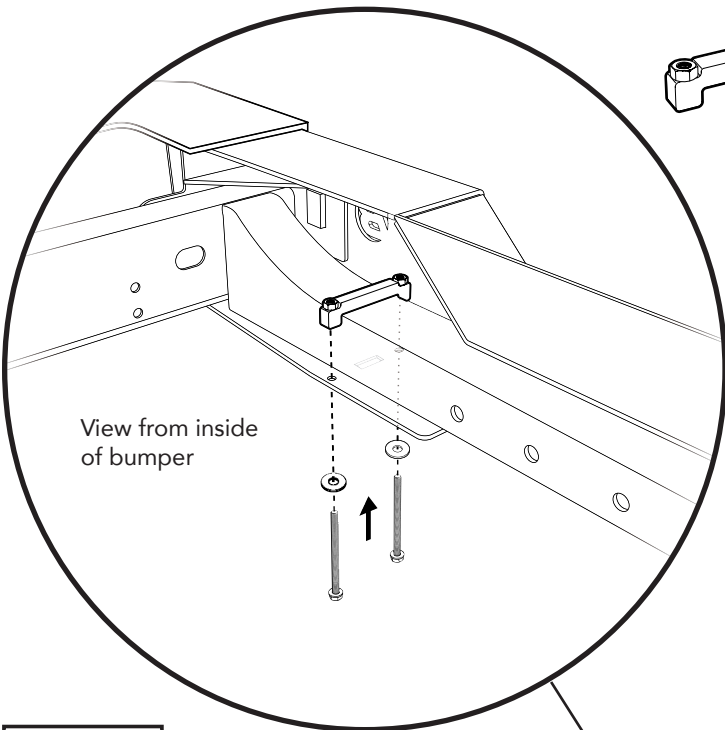
**Step 2**

When all holes in the Bumper, Bumper Bracket, and vehicle frame are aligned, attach the Bumper to the vehicle frame using three (3) #516.68 Bolts and three (3) #414.17 washers per side.





**Step 1** 518.65 518.70 484.93

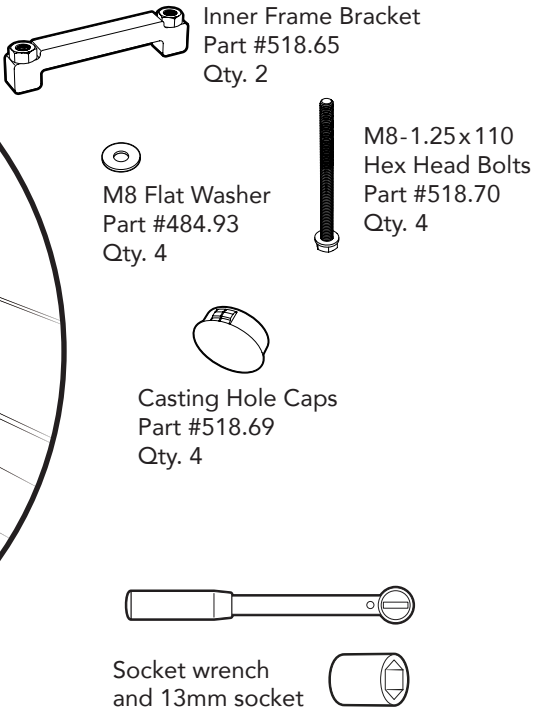


**Step 1**

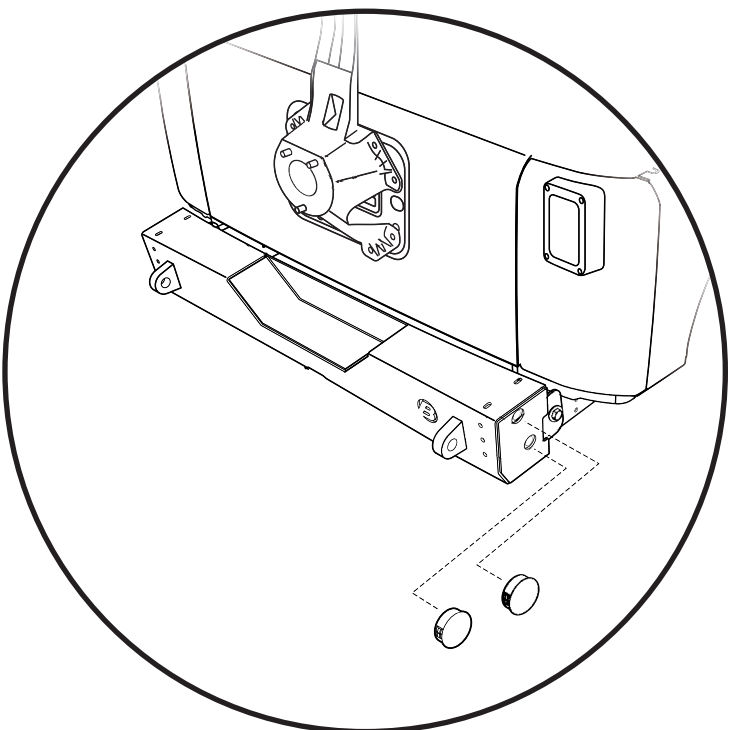
On the inside of the bumper, attach two (2) Inner Frame Brackets #518.65, with two (2) M8-1.25x110 Bolts and two (2) M8 washers per bracket.

The Inner Brackets go over the top of the vehicle horizontal frame member, and the bolts go up through the bottom of the Bumper, through the frame member, and into the brackets.

**Hardware**



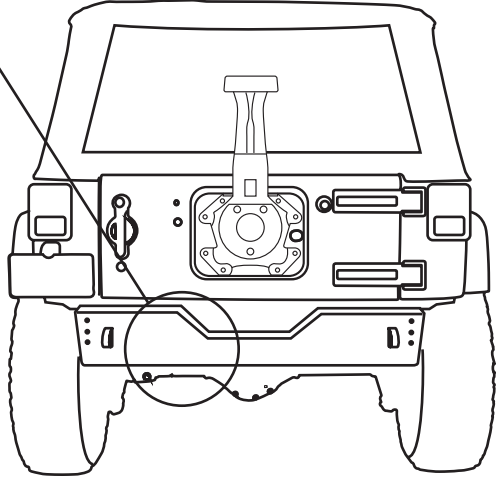
**Step 2** 518.69 518.67



**Step 2**

Once you have tightened all fasteners, cap the two large holes in each end of the bumper with the four (4) large Casting Hole Caps #518.69.

Re-install the spare tire if you removed it earlier.





## Installation Instructions Modular Bumper - Rear

Vehicle Application:  
Jeep® Wrangler 2007-2017  
Part Number 44940

---

### LIMITED WARRANTY

We warrant our product to be free from defects in material and workmanship, for the terms specified below, provided there has been normal use and proper maintenance. This warranty applies to the original purchaser only. All remedies under this warranty are limited to the repair or replacement of any item or items found by the factory to be defective within the time period specified. If you have a warranty claim, first you must call our factory at the number below for instructions. You must retain proof of purchase and submit a copy with any items returned for warranty work. Upon completion of warranty work, if any, we will return the repaired or replaced item or items to you freight prepaid. Damage to our products caused by accidents, fire, vandalism, negligence, misinstallation, misuse, Acts of God, or by defective parts not manufactured by us, is not covered under this warranty.

THE WARRANTY TIME PERIOD IS AS FOLLOWS FOR REPLACE-A-TOP™, SAILCLOTH REPLACE-A-TOP™, SUPERTOP®, SUPERTOP® REPLACEMENT SKINS, SUNRIDER®, AND TIGERTOP®: TWO YEARS FROM DATE OF PURCHASE.

THE WARRANTY TIME PERIOD IS AS FOLLOWS FOR ALL OTHER "SOFT GOODS" MANUFACTURED BY OUR COMPANY (USING PRIMARILY VINYL, PLASTICS, AND/OR FOAM): ONE YEAR FROM DATE OF PURCHASE.

THE WARRANTY TIME PERIOD IS AS FOLLOWS FOR ALL OTHER "HARD GOODS" MANUFACTURED BY OUR COMPANY (USING PRIMARILY METALS, PLASTICS, AND/OR FIBERGLASS): ONE YEAR FROM DATE OF PURCHASE.

ANY IMPLIED WARRANTIES OF MERCHANTABILITY AND/OR FITNESS FOR A PARTICULAR PURPOSE CREATED HEREBY ARE LIMITED IN DURATION TO THE SAME DURATION AND SCOPE AS THE EXPRESS WRITTEN WARRANTY. OUR COMPANY SHALL NOT BE LIABLE FOR ANY INCIDENTAL OR CONSEQUENTIAL DAMAGE.

Some states do not allow limitations on how long an implied warranty lasts, or the exclusion or limitation of incidental or consequential damages, so the above limitations or exclusions may not apply to you. This warranty gives you specific legal rights, and you may also have other rights which vary from state to state.