





# Installation Instructions HighRock 4x4™ Receiver Recovery Hitch

## Vehicle Application:

•Fits 2" Receiver

Part Number: 42922

INSTALLATION TIME	SKILL LEVEL
 1/4 Hour	<b>1</b> 2 3 4 1 - Easy

TOOLS
 Safety Glasses



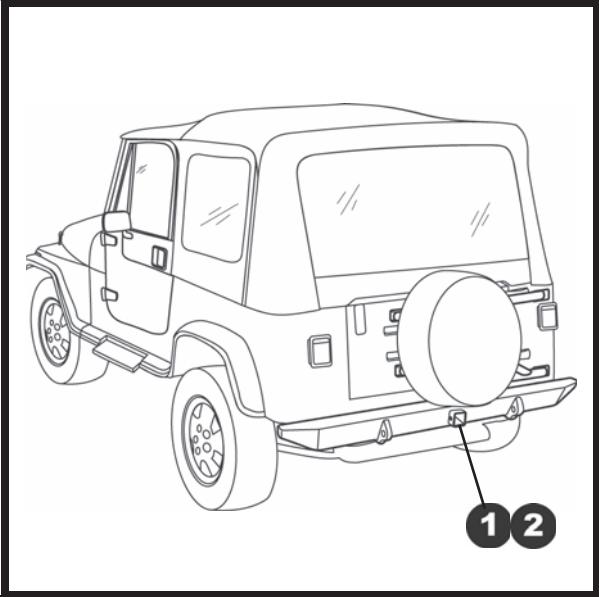
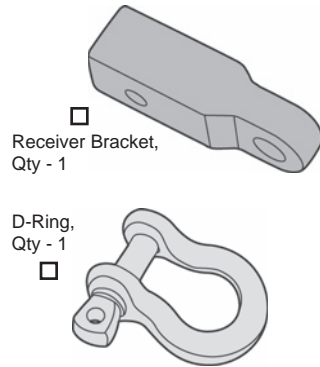
**⚠ WARNING** This product is designed primarily to enhance the appearance of the vehicle. Do not rely in any way on the components of this product to protect against injury or death in the event of an accident. Never operate the vehicle in excess of manufacturer's specifications.

### WEAR SEAT BELTS AT ALL TIMES

Read and follow, precisely, all installation instructions provided when installing product. Failure to do so may result in a poor fit and could place occupants of the vehicle in a potentially dangerous situation.

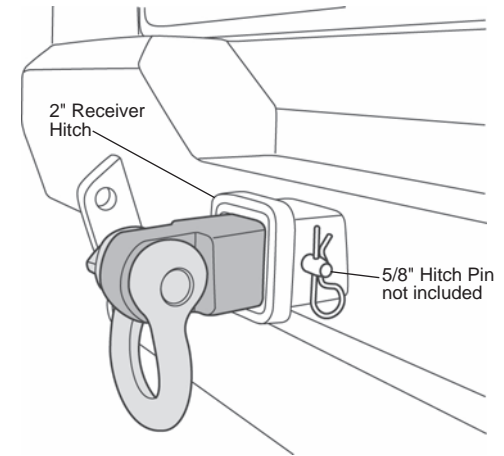
# HighRock 4x4™ Receiver Recovery Hitch Installation Instructions

## Parts List



## 2 Install Receiver Bracket

Insert the Receiver Bracket into a 2" receiver hitch and secure it with a 5/8" Hitch Pin (not included).



## 1 Install D-Ring on Receiver Bracket

Unscrew the threaded pin and position the D-Ring around the narrow part of the Receiver Bracket. Re-insert the threaded pin and tighten.

