





Installation Instructions HighRock 4x4™ D-Ring

Vehicle Application:

- Fits 3/4" Shackle Mount
Part Number: 42921

INSTALLATION TIME	SKILL LEVEL
 1/4 Hour	1 <input type="radio"/> <input type="radio"/> <input type="radio"/> <input type="radio"/> 1 - Easy

TOOLS
 Safety Glasses



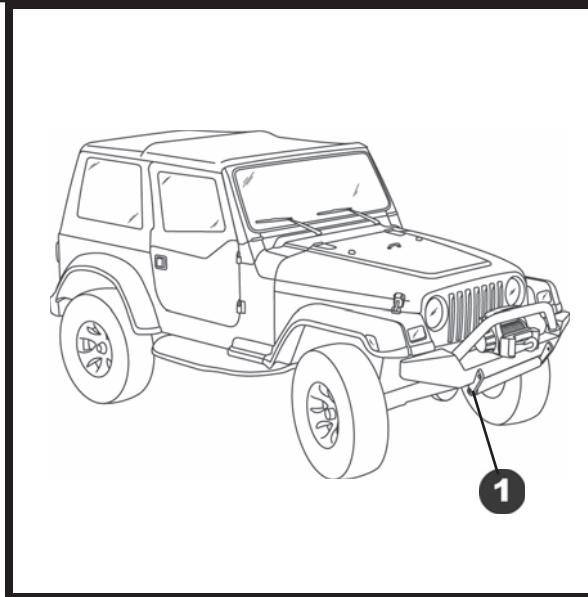
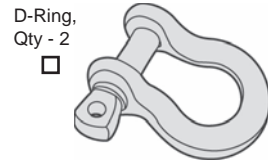
⚠ WARNING This product is designed primarily to enhance the appearance of the vehicle. Do not rely in any way on the components of this product to protect against injury or death in the event of an accident. Never operate the vehicle in excess of manufacturer's specifications.

WEAR SEAT BELTS AT ALL TIMES

Read and follow, precisely, all installation instructions provided when installing product. Failure to do so may result in a poor fit and could place occupants of the vehicle in a potentially dangerous situation.

HighRock 4x4™ D-Ring Installation Instructions

Parts List



1 D-Ring Installation

Unscrew the threaded pin and place the D-Ring around the shackle mount. Insert the threaded pin and tighten.

