



# Installation Instructions InstaTrunk™

Vehicle Application:  
Wrangler Unlimited  
2011-Current  
Part Number 42704

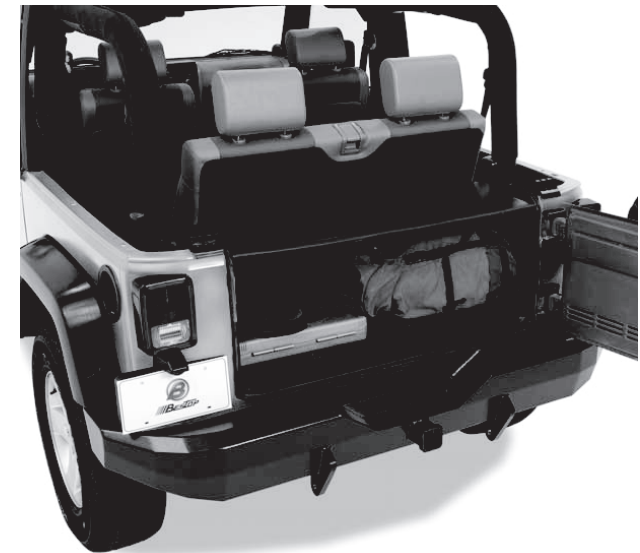
## Installation Tips

Read and follow, precisely, all installation instructions provided when installing this product. Failure to do so may result in a poor fit, and could place occupants of the vehicle in a potentially dangerous situation.

### WARNING

To reduce the risk of accidental injury: Follow all vehicle Manufacturer's and Bestop® safety messages, application and installation instructions.

### CAUTION Safety glasses should be worn at all times when installing this product.



Tools	Installation Time	Support
<div style="display: flex; justify-content: space-around;"> <div style="text-align: center;">  Safety Glasses         </div> <div style="text-align: center;">  Scissors         </div> </div> <div style="display: flex; justify-content: space-around; margin-top: 20px;"> <div style="text-align: center;">  T30 Torx Driver         </div> <div style="text-align: center;">  13mm Wrench         </div> <div style="text-align: center;">  Flathead Screwdriver         </div> </div>	<div style="text-align: center;">  3/4 Hour         </div> <div style="text-align: center; margin-top: 20px;"> <b>Skill Level</b>    <b>1 - Moderately Difficult</b> </div>	<p>We're here to help! Go to <a href="http://www.Bestop.com">www.Bestop.com</a> and click "Ask a Question"</p>

**WARNING** This product is designed primarily to enhance the appearance of the vehicle and to shield the occupants from ordinary weather conditions. Do not rely in any way on the components of this product to contain occupants within the vehicle, or to protect against injury or death in the event of an accident. This product will not protect the occupants from falling objects. Never operate the vehicle in excess of manufacturer's specifications.

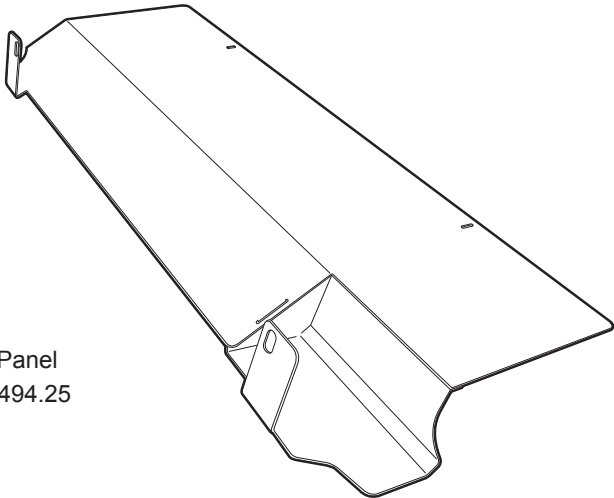
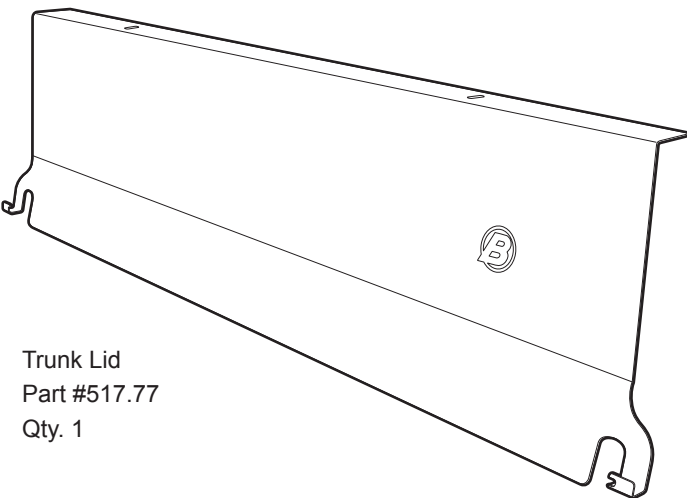
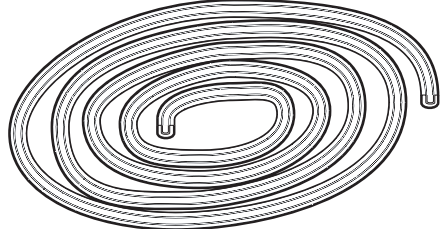
### **WEAR SEAT BELTS AT ALL TIMES**

Read and follow, precisely, all installation instructions provided when installing this product. Failure to do so may result in a poor fit and could place occupants of the vehicle in a potentially dangerous situation.

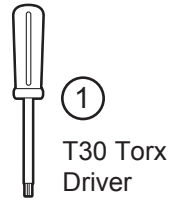
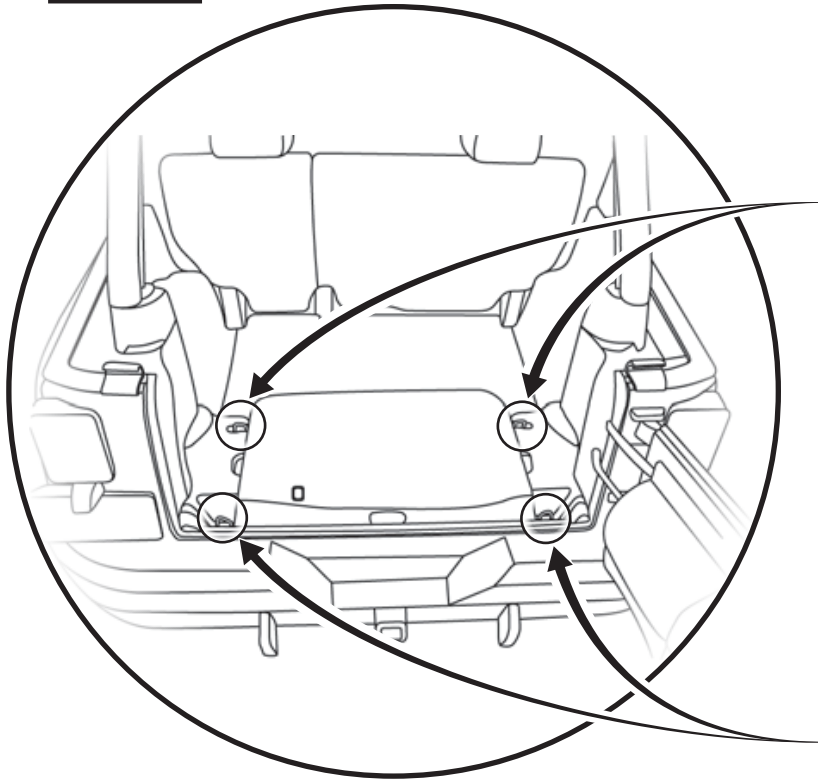


### Parts List

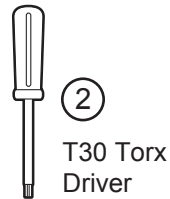
- Required parts for each installation section - Page number in Installation Guide

Section 1	Front Panel	Pages 3-4	Section 2	Trunk Lid	Pages 5-6		
 <p data-bbox="210 755 357 852">Front Panel Part #494.25 Qty. 1</p>			 <p data-bbox="1123 755 1270 852">Trunk Lid Part #517.77 Qty. 1</p>				
All Sections	Hardware Kit			Pages 5-6	Sections 1&2	Edge Trim	Pages 3-4
<p data-bbox="178 1055 367 1120">Hardware Kit Part # 524.47</p> <div data-bbox="157 1144 241 1339"></div> <div data-bbox="388 1193 472 1339"></div> <div data-bbox="619 1047 735 1339"></div> <div data-bbox="903 1136 1060 1339"></div> <p data-bbox="157 1380 283 1469">Trim Fasteners Qty. 2</p> <p data-bbox="388 1380 546 1469">M8-1.25 Hex Lock Nut Qty. 2</p> <p data-bbox="640 1380 808 1469">M8-1.225x20 Carriage Bolt Qty. 2</p> <p data-bbox="903 1380 1050 1469">M10 Flat Washer Qty. 2</p>				 <p data-bbox="1396 1388 1575 1477">Edge Trim Part #499.72P Qty. 10.5'</p>			

Step 1



①  
T30 Torx  
Driver



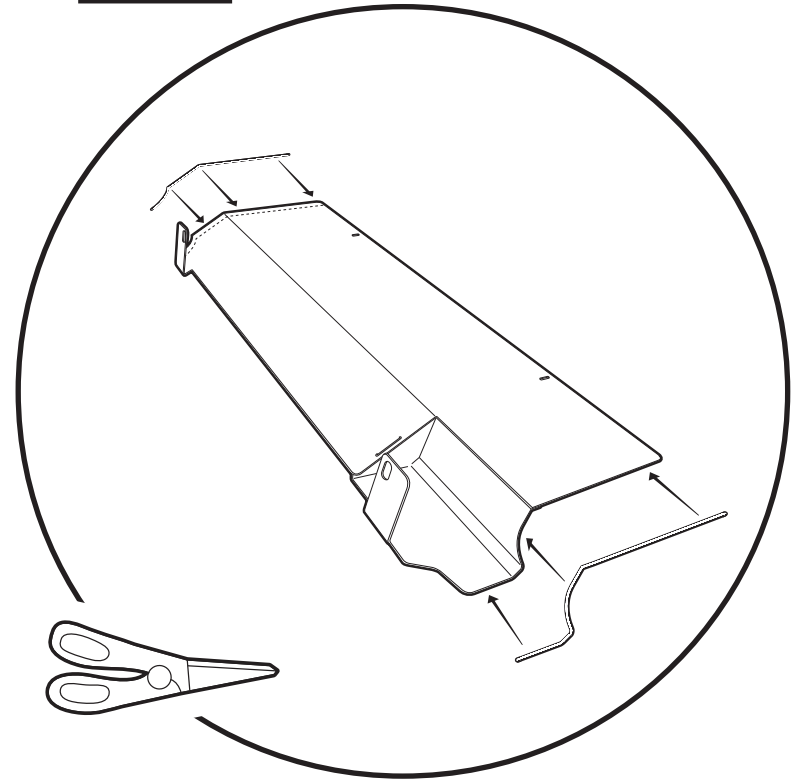
②  
T30 Torx  
Driver

Step 1

Open the tailgate and rear window. Tumble the rear seat forward for more room to work.

- ① Using the T30 Torx driver, remove the front two cargo loop bolts on each side of the rear storage compartment.
- ② Use the T30 Torx driver to loosen the rear two cargo loop bolts on each side of the rear storage compartment.

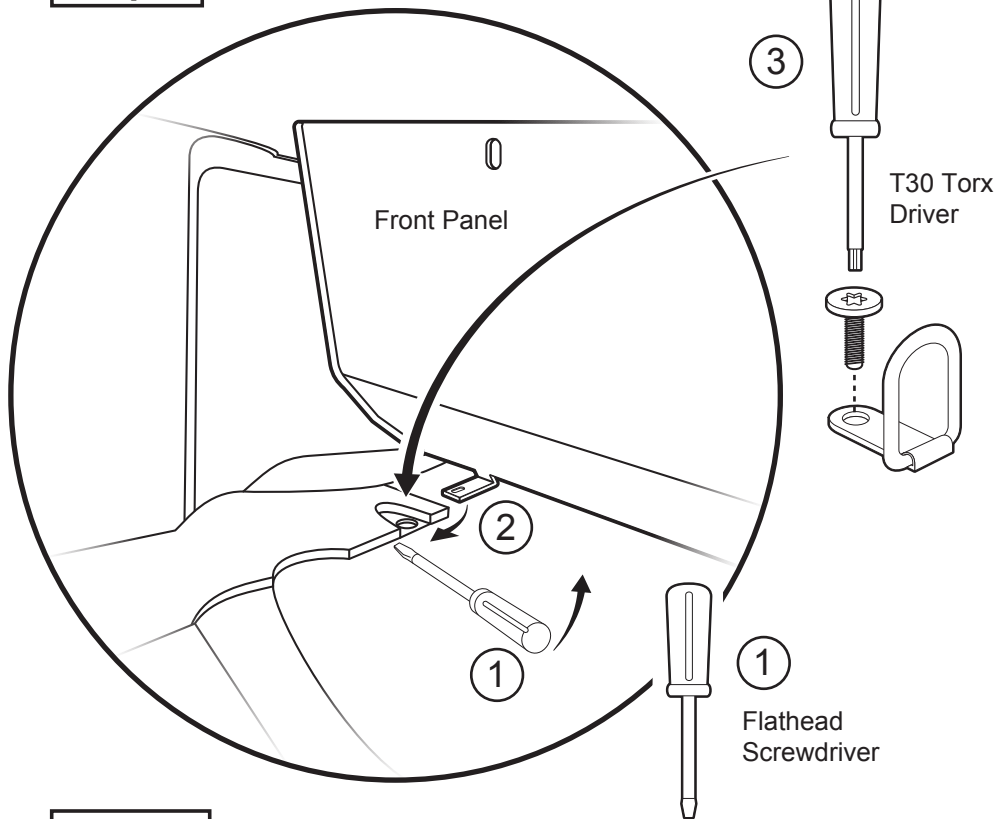
Step 2



Step 2

Install Edge Trim on each side of the Front Panel, and trim to fit with scissors.

**Step 1**



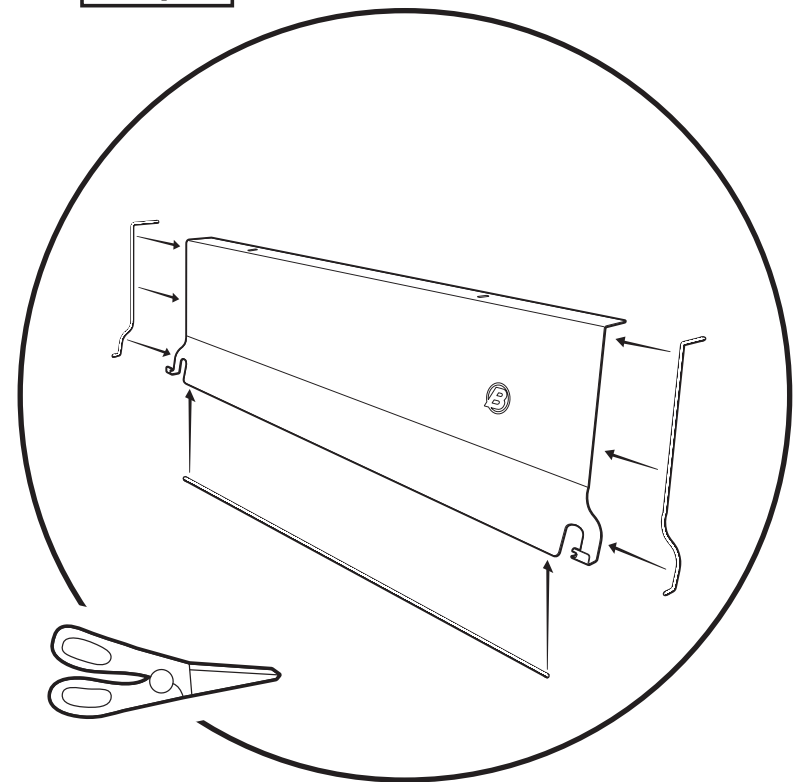
**Step 1**

Place the Front Panel in the cargo area with the bottom mounting flanges facing the rear of the vehicle. Position the panel so the mounting flanges are in front of the plastic cargo panels (and sub-woofer if so equipped) on each side of the cargo compartment. ① Lift the plastic panels up slightly using a flathead screwdriver, and ② slide each mounting flange under each plastic panel.

Line up the slotted hole in each mounting flange with the cargo loop bolt hole in each plastic panel.

③ Reinstall the cargo loops and cargo loop bolts. Leave the bolts loose for now.

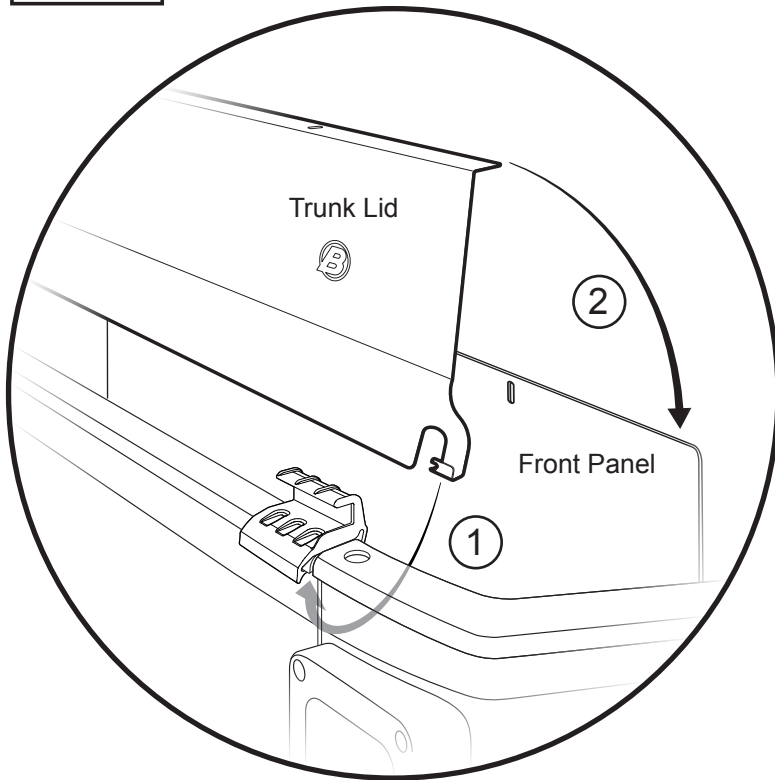
**Step 2**



**Step 2**

Install Edge Trim along each side and along the rear edge of the Trunk Lid, and trim to fit with scissors.

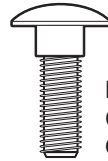
**Step 1**



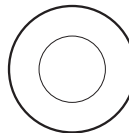
**Hardware**



M8-1.25  
Hex Lock Nut  
Qty. 2



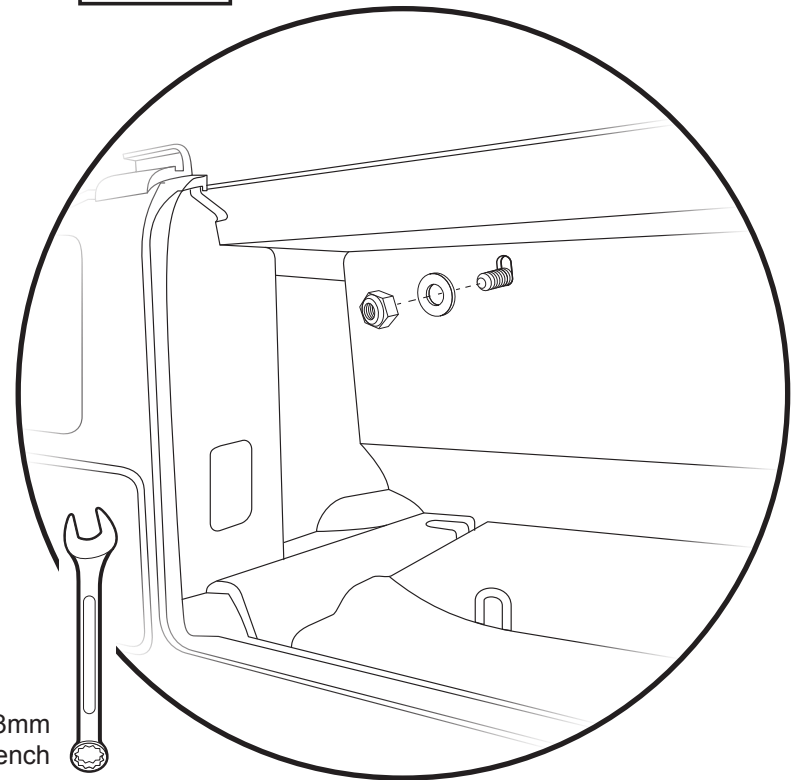
M8-1.225x20  
Carriage Bolt  
Qty. 2



M10  
Flat Washer  
Qty. 2

13mm  
Wrench

**Step 2**



**Step 1**

To install the Trunk Lid, ① tip the rear edge downward and position the rear outboard tabs under the lip on the top of the Jeep body.

② Rotate the front of the Trunk Lid downward so it overlaps the Front Panel. Adjust the trunk lid so that the slotted holes in both panels are aligned.

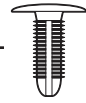
**Step 2**

From the front side of the Front Panel (opposite side from the cargo compartment), insert a carriage bolt from the Hardware Kit through the slots in both the Front Panel and Trunk Lid.

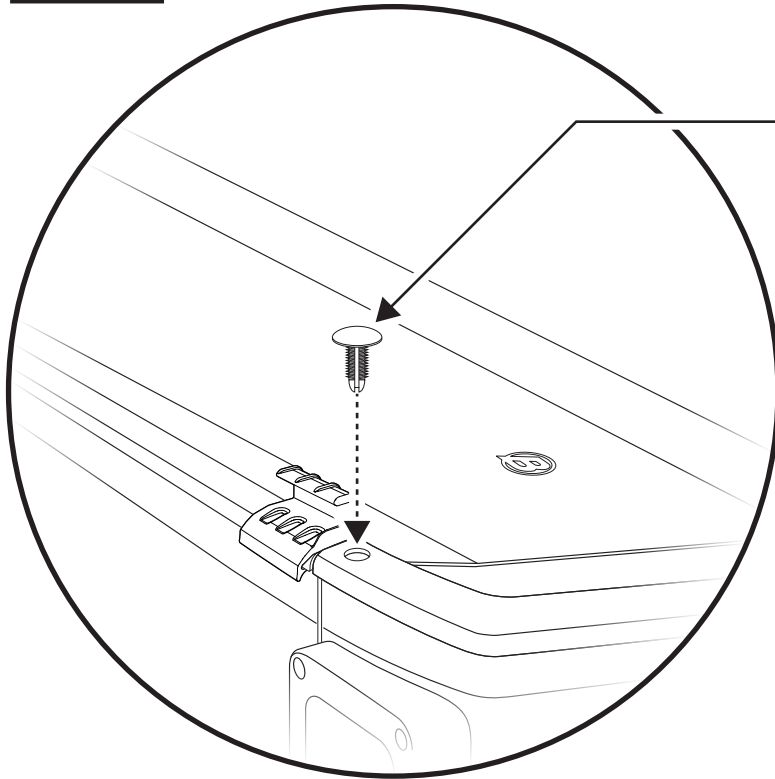
Hold the carriage bolt in place with a flat washer and Lock Nut from the Hardware Kit.

Adjust the fit of the two panels and tighten the lock nuts with a 13mm wrench.

Put the seatback into the upright position, if you tilted it forward earlier.

**Step 1****Hardware**

Trim  
Fasteners  
Qty. 2

**Step 1**

Cap the two holes on the top of the Jeep body lip, one on each side of the tailgate, with the two Trim Fasteners provided in the Hardware Kit.

Tighten all loose bolts now.