



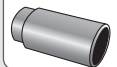



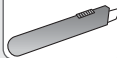



# Installation Instructions

## KNOCK DOWN INSTATRUNK™

### Vehicle Application:

- Jeep® Wrangler and Wrangler Unlimited  
1997 - 2006  
Part Number: 42701

INSTALLATION TIME	SKILL LEVEL		
 1/2 Hour	 1 - Easy		
TOOLS			
 Socket 10 mm	 Ratchet	 Wrench 9/16", 13mm, 10mm	 Power Drill 1/8" and 13/32" bits
 Utility Knife	 Safety Glasses		



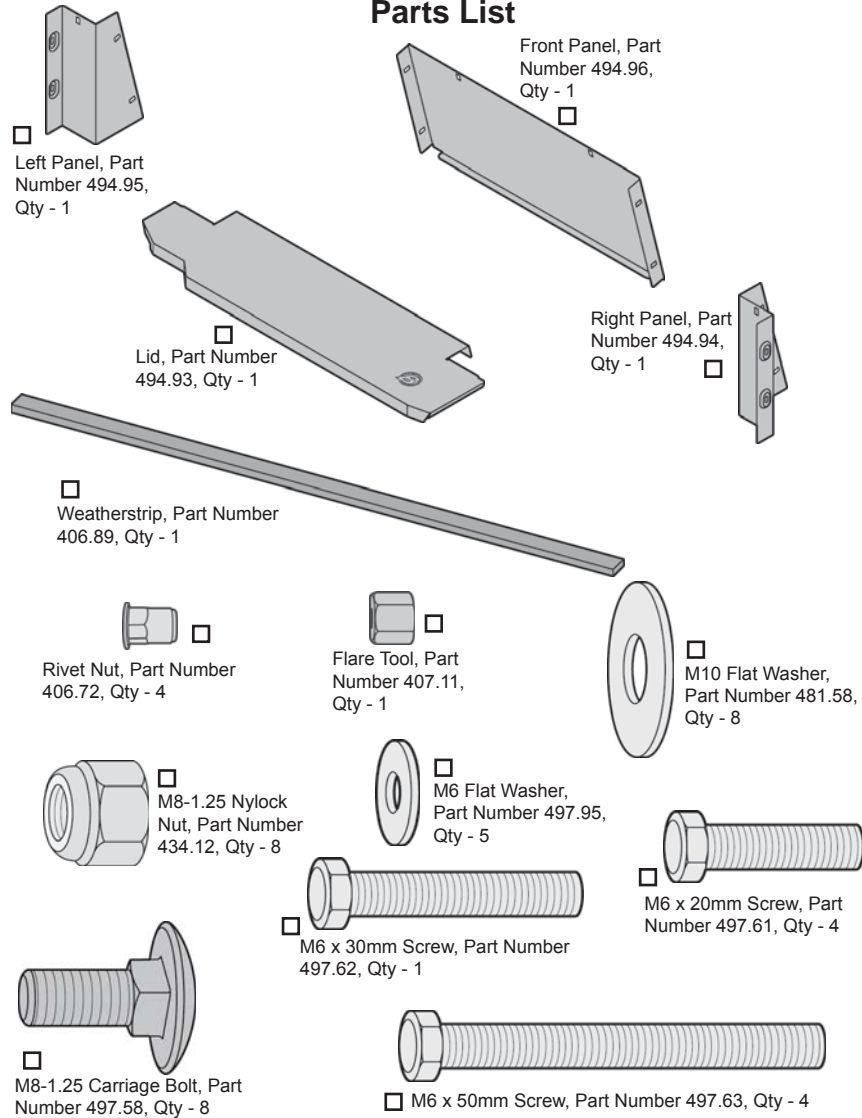
**⚠ WARNING** This product is designed primarily to enhance the appearance of the vehicle. Do not rely in any way on the components of this product to protect against injury or death in the event of an accident. Never operate the vehicle in excess of manufacturer's specifications.

### WEAR SEAT BELTS AT ALL TIMES

Read and follow, precisely, all installation instructions provided when installing product. Failure to do so may result in a poor fit and could place occupants of the vehicle in a potentially dangerous situation.

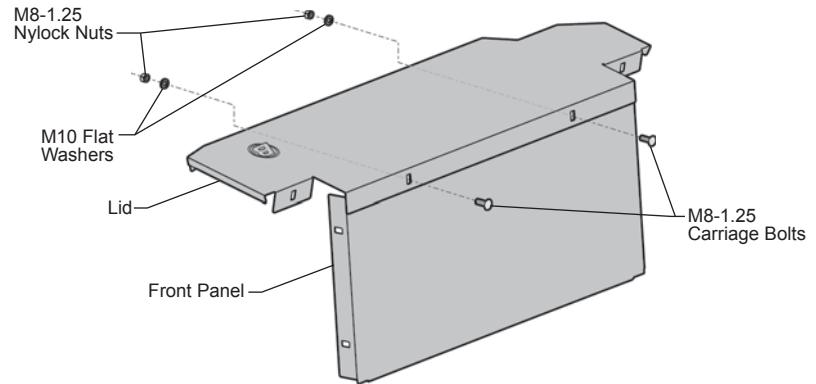
# KNOCK DOWN INSTATRUNK™ Installation Instructions

## Parts List



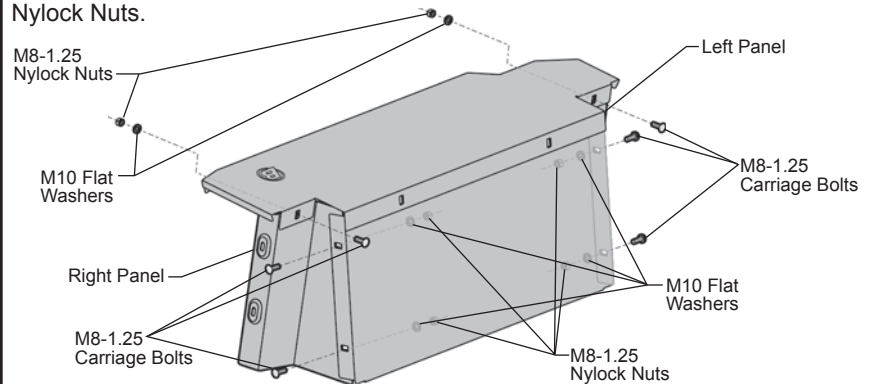
## 1 Secure Lid to Front Panel

Place the Lid (494.93) on the Front Panel (494.96) with the flange on the outside. Secure the Lid to the Panel with two (2) M8-1.25 Carriage Bolts, two (2) M10 Flat Washers, and two (2) M8-1.25 Nylock Nuts.



## 2 Secure Side Panels to Front Panel and Lid

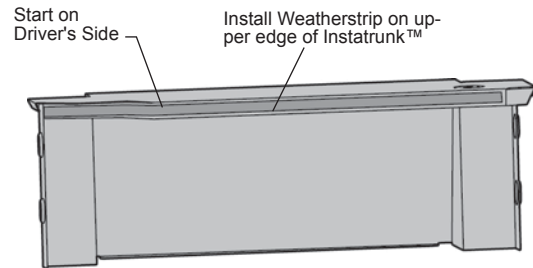
Place the Left (494.95) and Right (494.94) Side Panels along the Front Panel with the Lid flanges outside of the Side Panels. Secure the Side Panels with six (6) M8-1.25 Carriage Bolts, six (6) M10 Flat Washers, and six (6) M8-1.25 Nylock Nuts.



# KNOCK DOWN INSTATRUNK™ Installation Instructions

## 3 Install Weatherstrip

Locate the Weatherstrip (406.89) in the parts kit. From the rear of the Instatrunk Assembly start installing the Weatherstrip on the driver's side and work across to the passenger's side. Peel the backing off the Weatherstrip a few inches at a time and press the adhesive on the Weatherstrip onto the edge of the Instatrunk™.

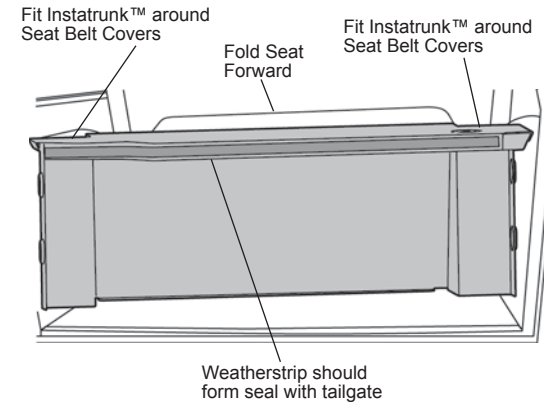


## 4 Install Instatrunk™

Open the tailgate of the vehicle and lean the rear seat back forward.

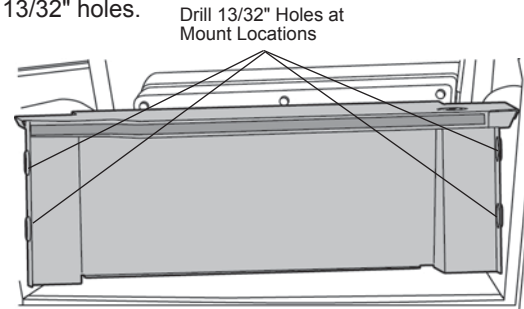
Place the Instatrunk™ Assembly in the vehicle so that it fits snugly between the wheel wells with the top level with the top of the wheel wells and with the notches around the plastic seat belt covers. Make sure that the contoured edge of the Instatrunk™ with the Weatherstrip is flush against the tailgate. Close the tailgate to check that the Weatherstrip forms a seal against the tailgate. Adjust the position of the Instatrunk™ as needed.

**Note:** In some cases there may be extra padding under the carpet, in this case it may be necessary to remove it for the Instatrunk™ to fit properly.



## 5 Drill Holes - Wrangler Unlimited Only

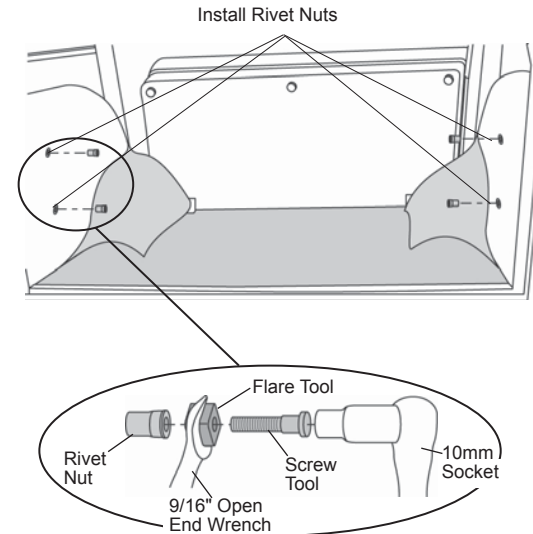
Make sure that Instatrunk™ Assembly is level. Use the mounting points in the Instatrunk™ as a template to drill four (4) 1/8" pilot holes. Remove the Instatrunk™ from the vehicle and drill four (4) 13/32" holes.



## 6 Install Rivet Nuts

Carefully pull the carpet away from the rear wheel wells so that the hook and loop remains attached to the carpet for reinstallation later.

Locate the Rivet Nuts (406.72) in the parts kit. Use the Flare Tool (407.11), an M6 Flat Washer (497.95), and an M6 x 30mm Screw (497.62) with a 9/16" Open End Wrench and a 10mm Socket to install them into the holes. Make sure that the flange of the Rivet Nut is completely against the metal while installing.

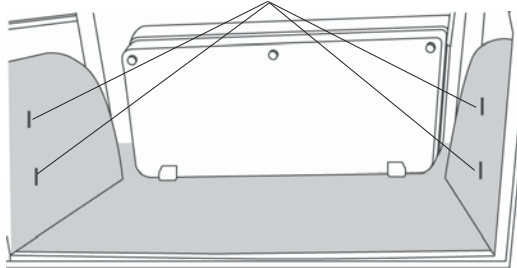


## KNOCK DOWN INSTATRUNK™ Installation Instructions

### 7 Replace Carpet

Replace the carpet, smoothing it out and covering the Rivet Nuts (406.72). Use a utility knife to cut a 1" vertical slit in the carpet at each Rivet Nut location.

Cut 1" Slit in Carpet at Rivet Nut Locations



### 8 Install Bolts

Place the Instatrunk™ Assembly back in the vehicle aligning the holes with the Rivet Nuts (406.72). Install an M6 Screw and M6 Flat Washer through the Instatrunk™ into each Rivet Nut. If you are installing the Instatrunk™ in the Wrangler Unlimited you will use the longer M6 x 50mm Bolts (497.63). For TJ vehicles, use the shorter M6 x 20mm Bolts (497.61).

Install Screws with M6 Flat Washers

