





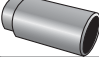





Installation Instructions

Under Seat and Universal Lock Box

Vehicle Application:

- Jeep TJ Wrangler and Wrangler Unlimited 1997 – 2006
Part Number: 42641
- Universal Applications 12" x 8-1/2" x 3"

INSTALLATION TIME	SKILL LEVEL
 15 min	 1 - Easy


TOOLS				
 Socket 13mm	 Ratchet 1/4"	 Universal Joint 1/4"	 Torx Wrench #50	 Phillips Screwdriver
 Safety Glasses				



Installation Tips

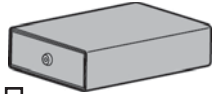
Before you begin installing this assembly, read all instructions thoroughly.

This Lock Box is designed to be used on the model vehicles described above. Use of this Lock Box in any other vehicles or failure to install this Lock Box properly may result in an improperly mounted seat and could result in unexpected movement of the seat and loss of control of the vehicle, thereby placing the occupants of the vehicle and others in a potentially dangerous situation.

 **CAUTION** Safety glasses should be worn at all times while installing this product.

Under Seat Lock Box Installation Instructions

Parts List



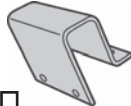
□ Lock Box, Part Number 499.82, Qty - 1



□ Key, Qty - 2



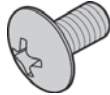
□ Mounting Bracket, Part Number 499.83, Qty - 1



□ Foot, Part Number 476.15, Qty - 1



□ Security Cable, Part Number 476.14, Qty - 1

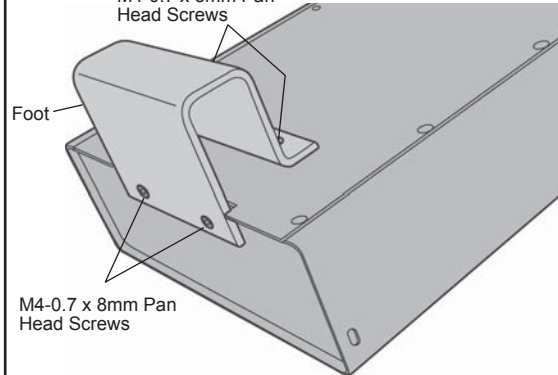


□ M4-0.7 x 8mm Pan Head Screw, Part Number 499.86, Qty - 8

1 Permanent Installation – Install Foot

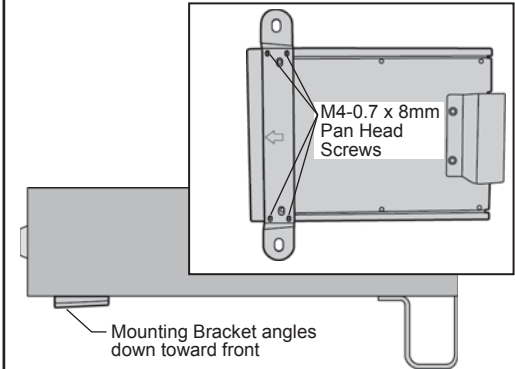
To permanently install the Lock Box under the front seat, use the M4-0.7 x 8mm Pan Head Screws to mount the foot to the bottom of the box.

M4-0.7 x 8mm Pan Head Screws



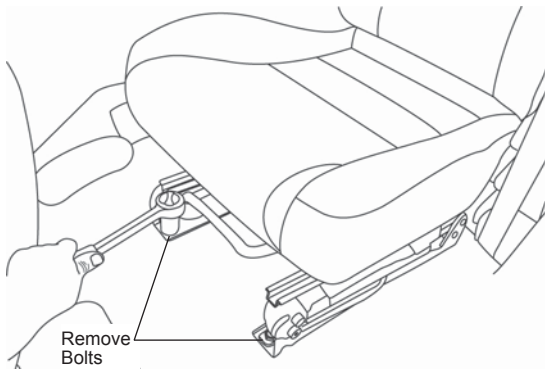
2 Install Mounting Bracket

Orient the Mounting Bracket so it angles down towards the front and the arrow on the bottom points toward the front of the box. Attach it to the bottom of the Lock Box with four M4-0.7 x 8mm Pan Head Screws.



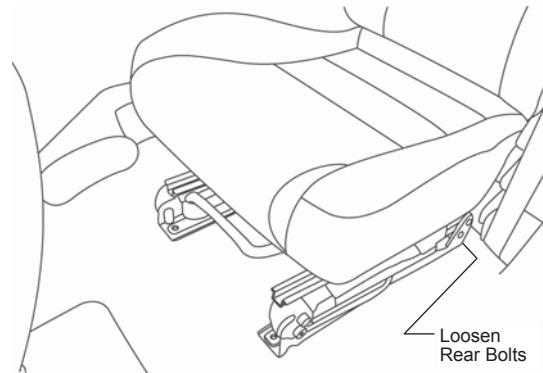
3 Remove Front Seat Mount Bolts

Slide the driver's side seat back to access the front seat bracket bolts. Use a 13 mm socket to remove the bolts. Set them aside to be reused later.



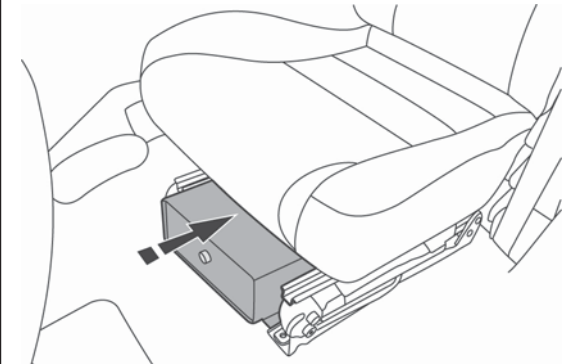
4 Loosen Rear Seat Mount Bolts

Use a #50 Torx and a universal joint to loosen the rear seat mount bolts. Do not remove them.



5 Slide Lock Box Under Seat

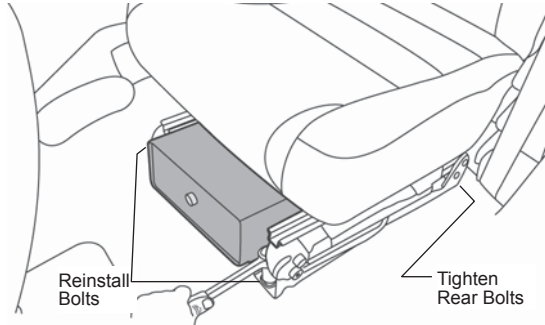
Tip the seat back and slide the Lock Box under the seat with the tabs under the brackets. Align the mounting holes with the holes in the seat brackets. Make sure the foot is not on top of any wires.



Under Seat Lock Box Installation Instructions

6 Reinstall Seat Bracket Bolts

Reinstall the bolts removed in Step 3 to secure the Lock Box to the seat mounting brackets. Loosely tighten the rear seat mount bolts. Slide the seat back and forth to make sure it operates easily. Tighten all bolts securely.



7 Universal Installation – Secure Cable

For a quick installation, wrap the looped end of the cable around a secure object. Thread the lock end of the cable through the loop. Insert the lock into the slot on the Lock Box. Turn and remove the key.

Secure the box in a location where it will not interfere with vehicle operation.

