








# Installation Instructions Lower Cargo Rack Bracket


## Application:

- Jeep Wrangler  
1992 – 2002  
Part Number: 41406

INSTALLATION TIME	SKILL LEVEL
 <b>45 Minutes</b>	 <b>2 - Moderately Easy</b>
TOOLS	
 Wrench 7/16", 13mm	 Safety Glasses



 **CAUTION** Safety glasses should be worn at all times while installing this product.

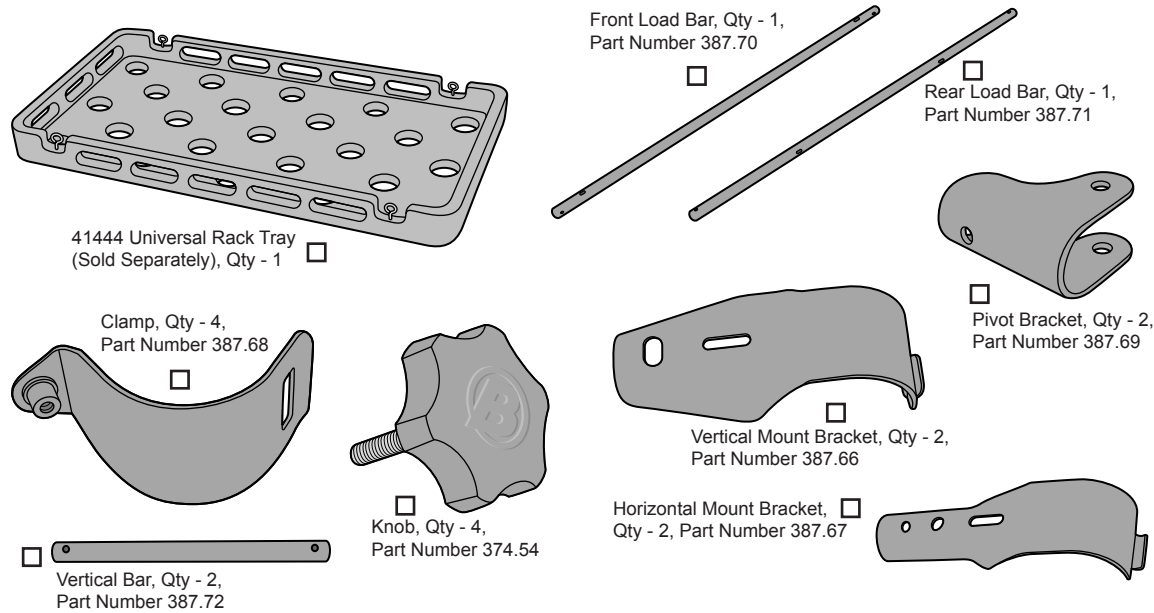
 **WARNING** This product is designed primarily to enhance the appearance of the vehicle and to shield the occupants from ordinary weather conditions. Do not rely in any way on the components of this product to contain occupants within the vehicle, or to protect against injury or death in the event of an accident. This product will not protect the occupants from falling objects. Never operate the vehicle in excess of manufacturer's specifications.

### WEAR SEAT BELTS AT ALL TIMES

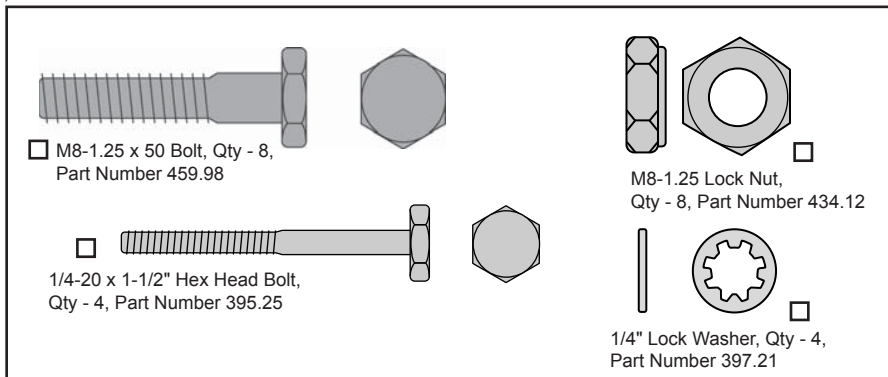
Read and follow, precisely, all installation instructions provided when installing product. Failure to do so may result in a poor fit and could place occupants of the vehicle in a potentially dangerous situation.

# Lower Cargo Rack Bracket Installation Instructions

## Parts List and Hardware Identification

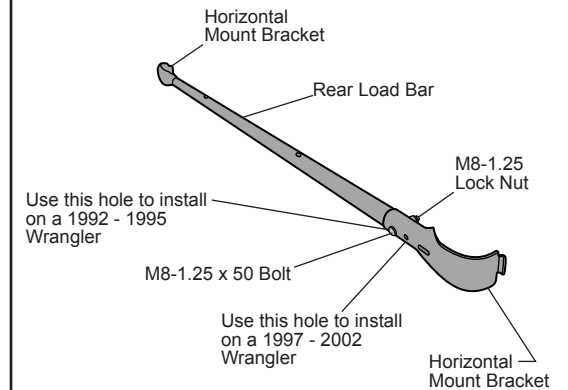


Parts Kit, Part Number 507.53



## 1 Install Horizontal Mount Brackets on Rear Load Bar

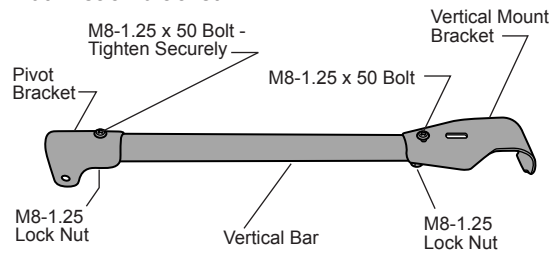
The Rear Load Bar is the one that has the slots located closest together. Place the Horizontal Mount Brackets on each end of the Rear Load Bar. Use the hole nearest the end of the bracket if you are installing on a 1992 - 1995 Wrangler. Use the second mounting hole if you are installing on a 1997 - 2002 Wrangler. Use an c and M8-1.25 Lock Nut for each Horizontal Mount Bracket.



## Lower Cargo Rack Bracket Installation Instructions

### 2 Install Pivot Bracket and Vertical Mount Bracket on Vertical Bar

Place a Pivot Bracket on one end of each Vertical Bar. Install a M8-1.25 x 50 Bolt and M8-1.25 Lock Nut and tighten securely. Then place a Vertical Mount Bracket on the other end of each Vertical Bar. Loosely install a M8-1.25 x 50 Bolt and M8-1.25 Lock Nut in each bracket.



### CAUTION

DO NOT overtighten the bolts that attach the Pillars to the Tray. This may strip the aluminum inserts in the Tray.

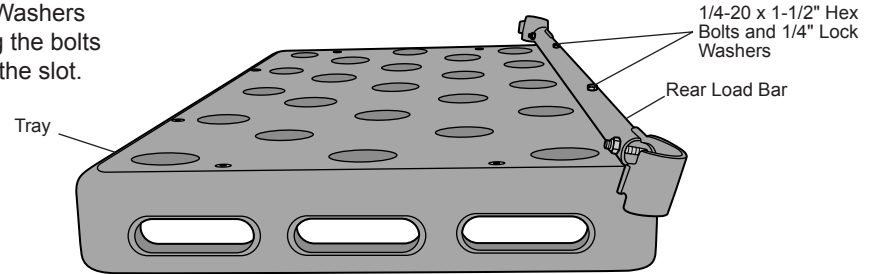


### 3 Install Rear Load Bar on Tray Assembly

Orient the Rear Load Bar Assembly on the bottom of the Tray over the attachment points next to the long side of the tray. The Horizontal Mount Brackets should angle away from the Tray. If they do not, flip the bar end over end. Secure the Load Bar with two 1/4-20 x 1-1/2" Hex Bolts and two 1/4" Lock Washers.



**NOTE** Hold the Lock Washers while tightening the bolts so that they don't fall into the slot.



### CAUTION

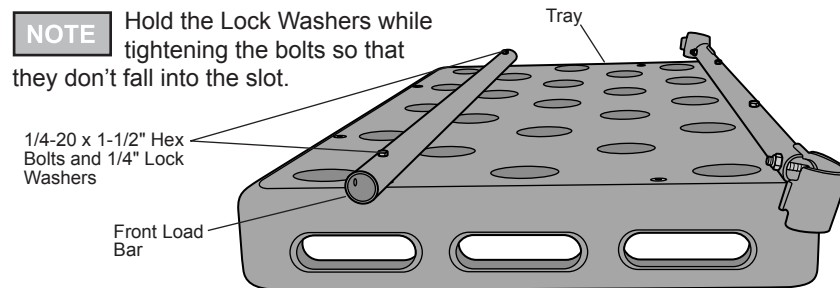
DO NOT overtighten the bolts that attach the Pillars to the Tray. This may strip the aluminum inserts in the Tray.

### 4 Install Front Load Bar on Tray Assembly

Orient the Front Load Bar Assembly on the bottom of the Tray over the attachment points next to the short side of the tray. Secure the Load Bar with two 1/4-20 x 1-1/2" Hex Bolts and two 1/4" Lock Washers.

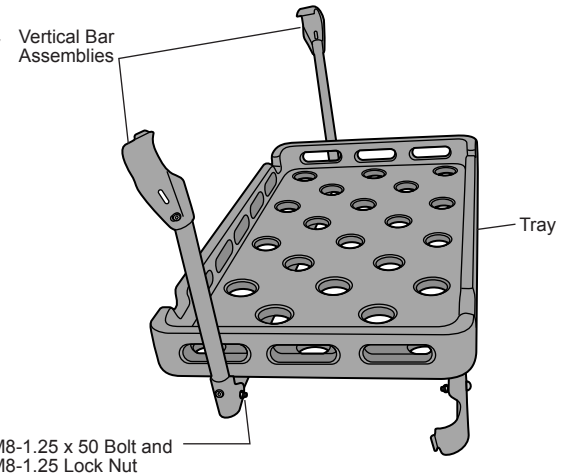


**NOTE** Hold the Lock Washers while tightening the bolts so that they don't fall into the slot.



### 5 Install Vertical Bar Assemblies

Loosely attach the Pivot Brackets on the Vertical Bar Assemblies to the ends of the Front Loader Bar. Use a M8-1.25 x 50 Bolt and M8-1.25 Lock Nut for each Vertical Bar Assembly.

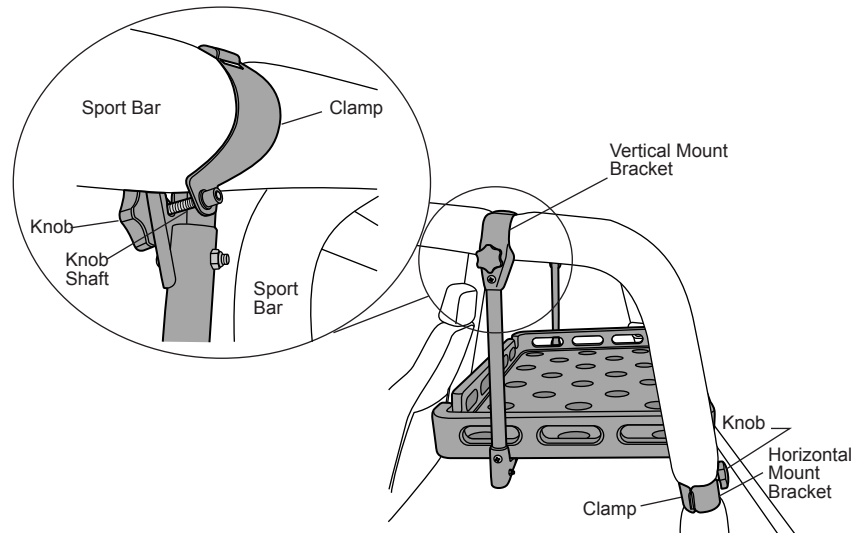


## Lower Cargo Rack Bracket Installation Instructions

### 6 Install Tray Assembly

Hook the Vertical Mount Brackets around the horizontal part of the sport bar and hook the Horizontal Mount Brackets around the back of the vertical sport bar leg so that the Tray is level.

Use a Knob and Clamp to secure each bracket to the sport bar. Place the slot in the Clamp over the hook on each Mount Bracket and wrap the Clamp around the sport bar. Insert the shaft of a Knob into the slot the Mount Bracket and push the Clamp toward the Knob. Thread the Knob into the Clamp and tighten. Repeat this for each Mount Bracket.



### 7 Tighten Fasteners

Fully tighten the screws that attach the Pivot Brackets and Vertical Mount Brackets to the Horizontal Bar. Make sure that the Knobs and fasteners are tight before using the Tray.



Do not load the tray with more than 200 evenly distributed pounds.

