



Installation Instructions ZipRail Tonneau

Vehicle Application:
Ford F150
09-Current 6.4' bed
Part Number: 18240

Installation Tips

Before you begin installing this product, please read all the instructions thoroughly.

For a smooth fit:

For easier installation, the top should be installed at a temperature above 70° F. Below this temperature, the fabric may contract an inch or more, making it difficult to fit the vehicle.


It is normal for the fabric to contract and wrinkle when stored in the shipping carton. Within a few days after installation, the fabric will relax and the wrinkles will disappear.


Wash truck to make sure no dirt or abrasive materials are between your truck's finish and the Tonneau Rail Frame.



CAUTION

Safety glasses should be worn at all times when installing this product.

Tools
 Safety Glasses

Installation Time
 1/2 Hour

Skill Level
 1 - Easy



WARNING

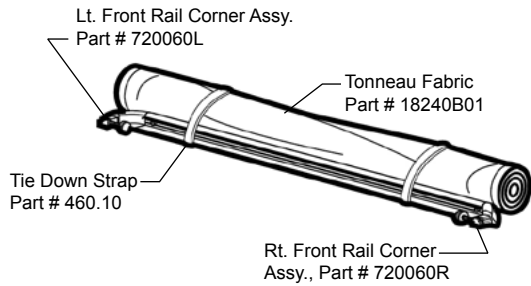
Tonneau cover must be secured at all points when vehicle is moving. A Tonneau cover that is unsecured will flap, resulting in damage to the vinyl fabric. Do not overload bed of truck. Stress on Tonneau could result in damage.



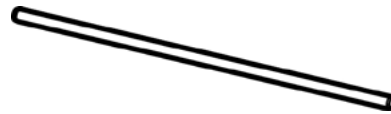
Parts List

- Required parts for each installation section - Page number in Installation Guide

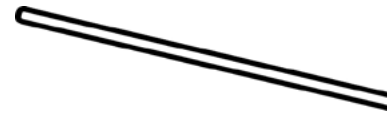
Sections 1 & 2 Rails and Clamps



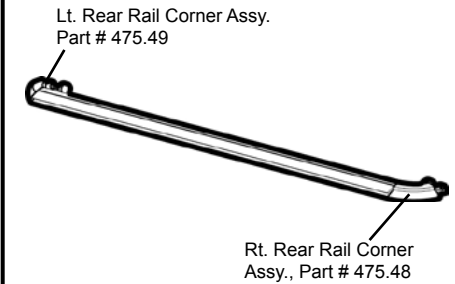
Cover and Front Rail Assembly Qty - 1
Part # 509.35.18240



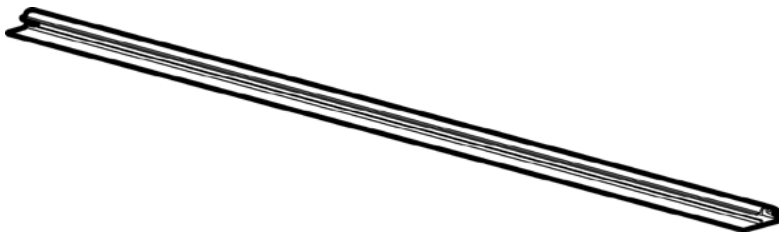
Front Bow Qty - 1
Part # 509.37.67.4
Attached to Cover



Rear Bow Qty - 1
Part # 509.37.65.4
Attached to Cover



Rear Rail Assembly Qty - 1
Part # 470.25.63.6



Side Rail Assembly
Qty - 2
Part # 509.38.73.8

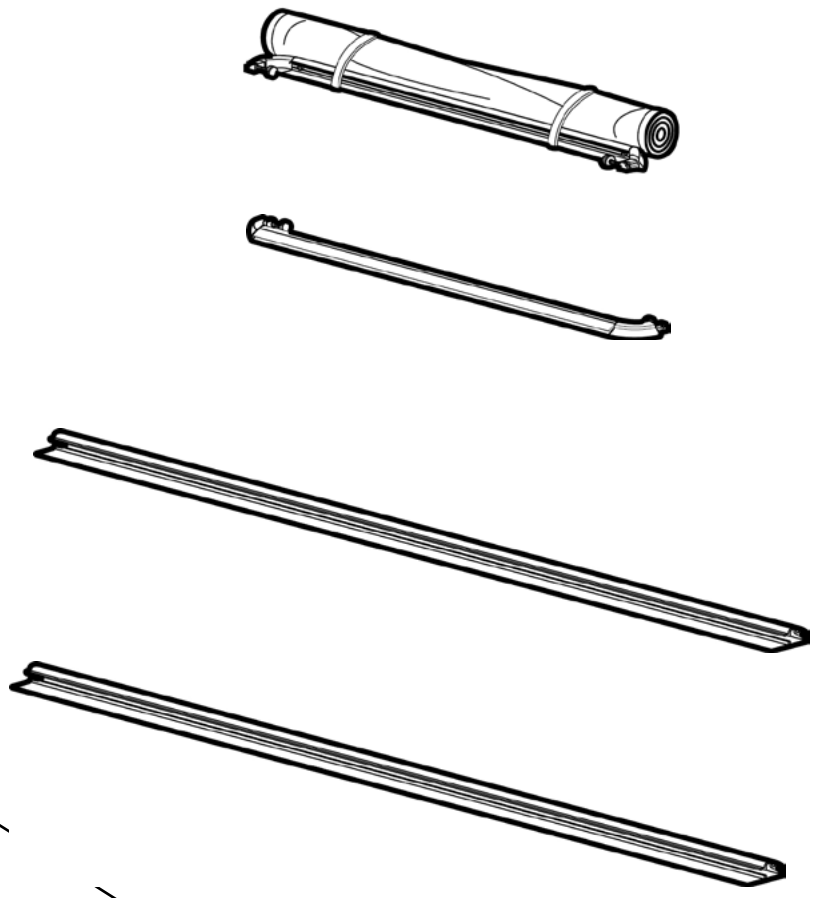
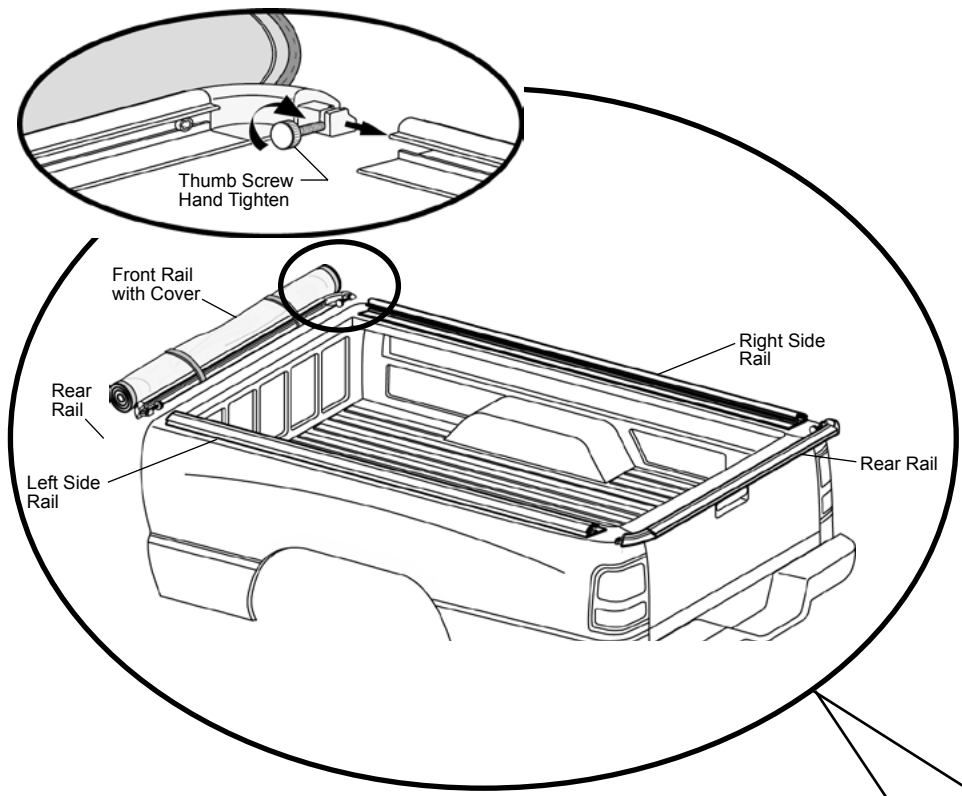


Clamps, Part Number
470.79, Qty - 6

Section 1 Install Rail Assemblies

Step 1	509.35.18240	470.25.63.6	509.38.73.8
---------------	--------------	-------------	-------------

Hardware



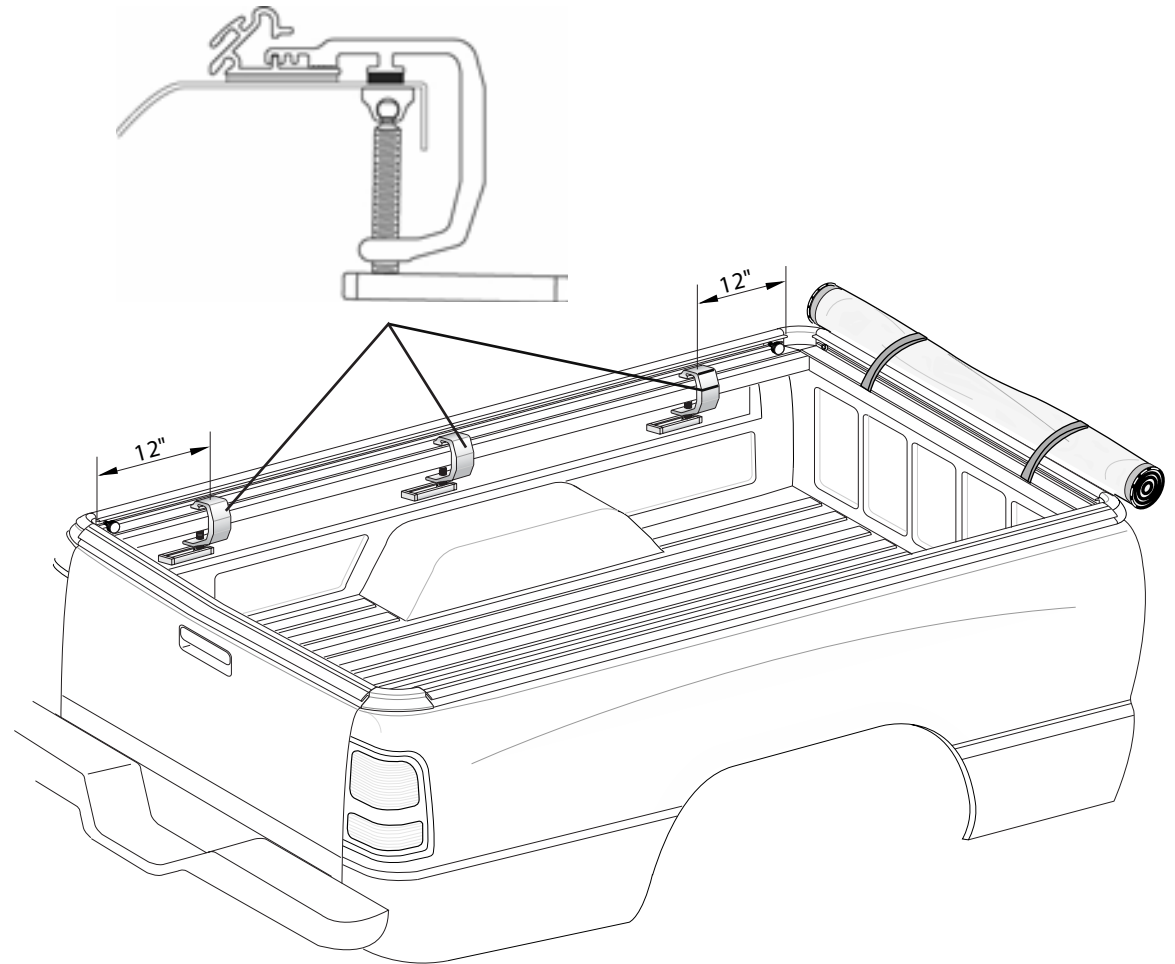
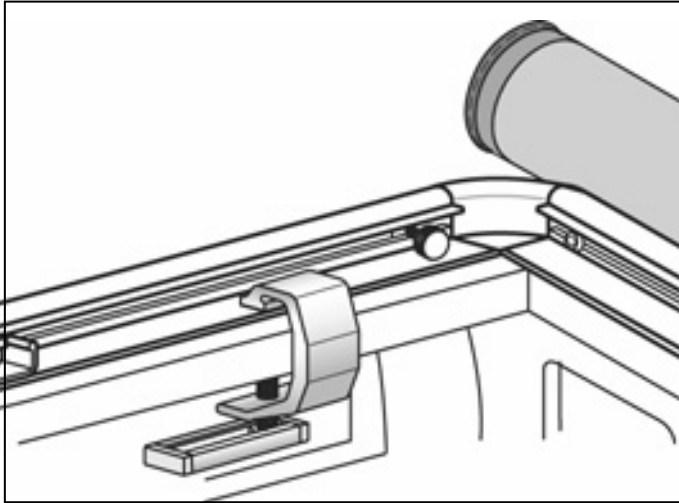
Section 2 Install Clamps

Step 1

470.79

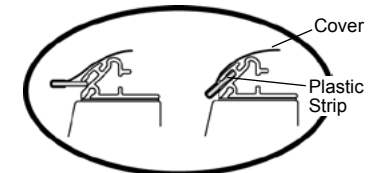
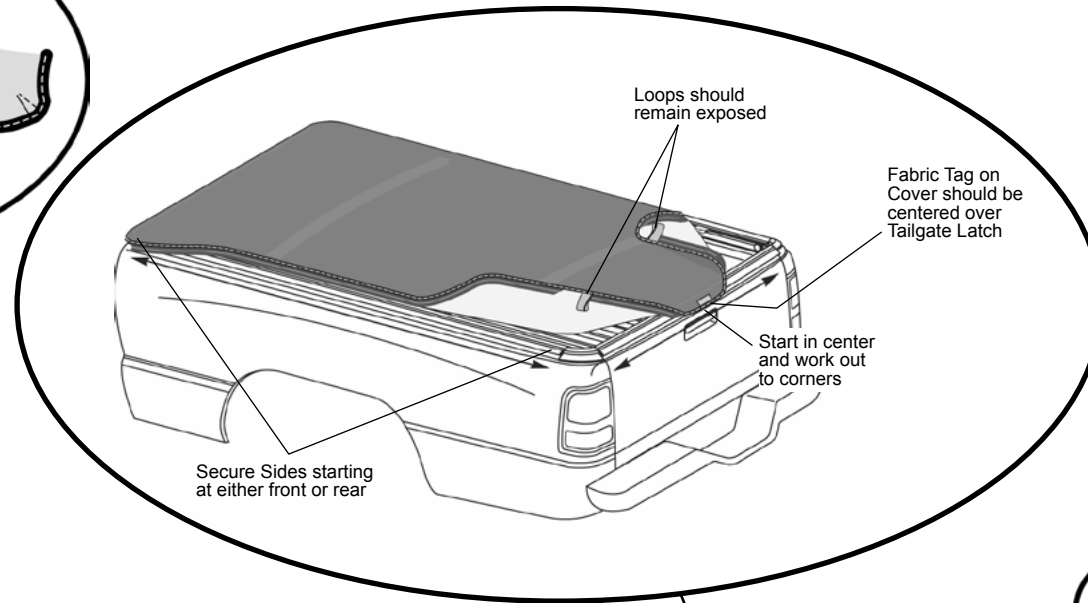
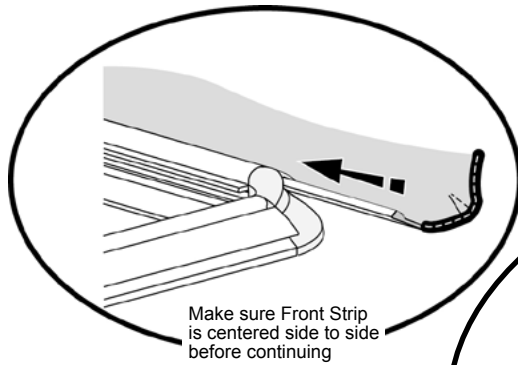
Hardware

Step 2



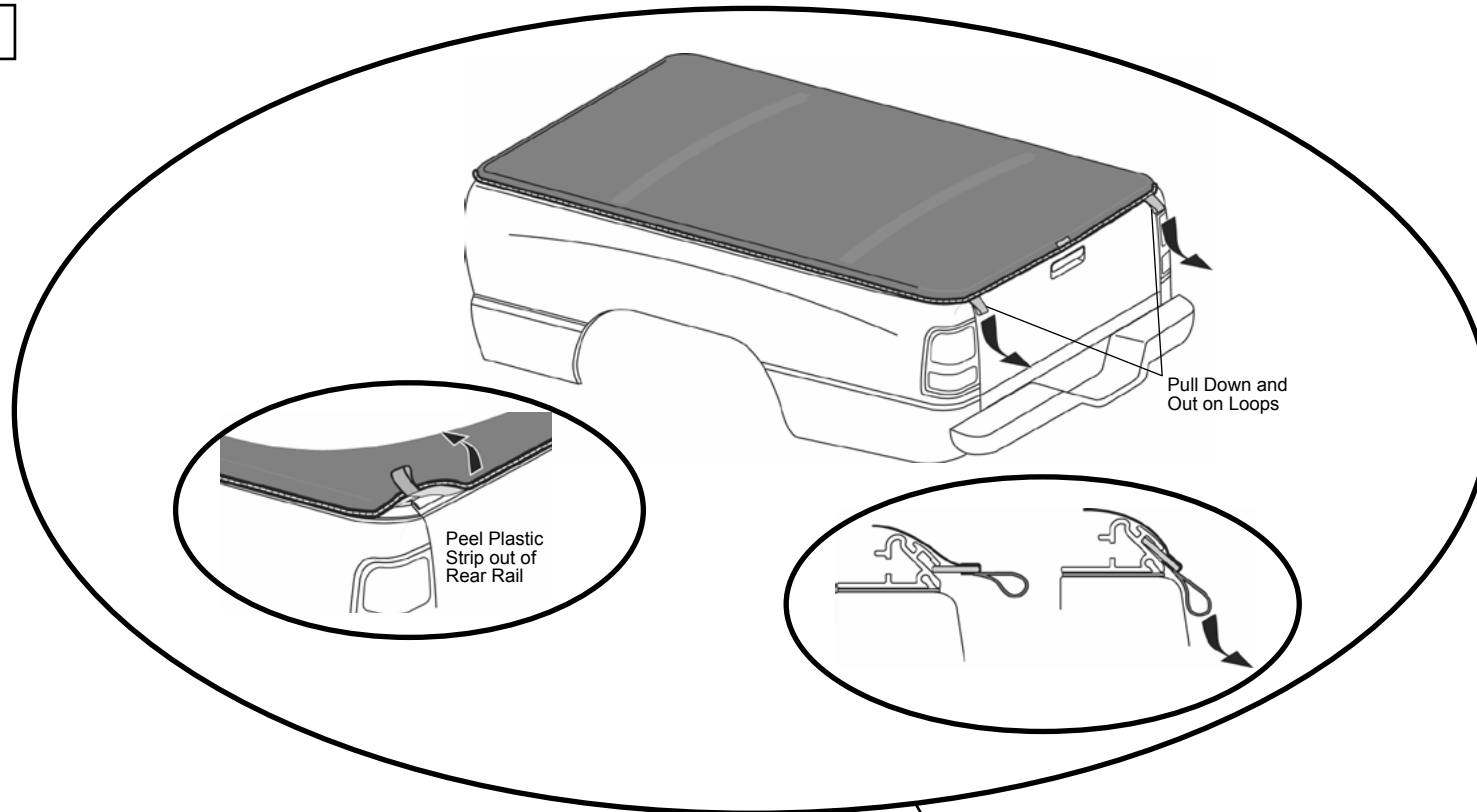
Section 3 Secure Fabric

Step 1



Section 4 Removing Cover

Step 1





Installation Instructions ZipRail Tonneau

Care and Maintenance of your Bestop Product

Your Bestop product is made of the finest materials available. To keep it looking new and for the maximum possible wear, it will need periodic cleaning and maintenance.

Fabric: The fabric should be washed often using soap, warm water and a soft bristle brush. Rinse with clear water to remove all traces of soap. Bestop recommends using Bestop Cleaner (part no. 11201-00) and Bestop Protectant (part no. 11202-00). Bestop Cleaner and Bestop protectant are specially formulated to provide a total cleaning and protection system. Bestop Cleaner safely removes the toughest stains, will not harm vehicle finishes, is biodegradable and environmentally friendly. Bestop Protectant protects against UV-fading, cracking and hardening, and repels dust, grease, dirt and mildew.