



Installation Instructions ZipRail Tonneau

Vehicle Application:
Ford F150
04-2014, 5.5' bed
Part Number: 18113

Installation Tips

Before you begin installing this product, please read all the instructions thoroughly.

For a smooth fit:

For easier installation, the top should be installed at a temperature above 70° F. Below this temperature, the fabric may contract an inch or more, making it difficult to fit the vehicle.




It is normal for the fabric to contract and wrinkle when stored in the shipping carton. Within a few days after installation, the fabric will relax and the wrinkles will disappear.

Wash truck to make sure no dirt or abrasive materials are between your truck's finish and the Tonneau Rail Frame.



CAUTION

Safety glasses should be worn at all times when installing this product.

Tools	Installation Time	
 Safety Glasses	 1/2 Hour	
	<th data-bbox="926 1016 1346 1062">Skill Level</th>	Skill Level
	 1 - Easy	



WARNING

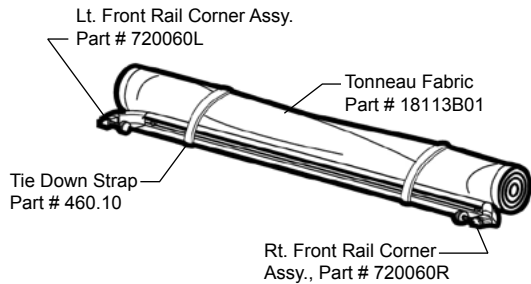
Tonneau cover must be secured at all points when vehicle is moving. A Tonneau cover that is unsecured will flap, resulting in damage to the vinyl fabric. Do not overload bed of truck. Stress on Tonneau could result in damage.



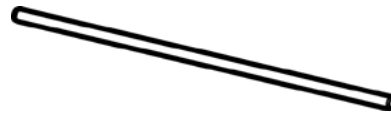
Parts List

- Required parts for each installation section - Page number in Installation Guide

Sections 1 & 2 Rails and Clamps



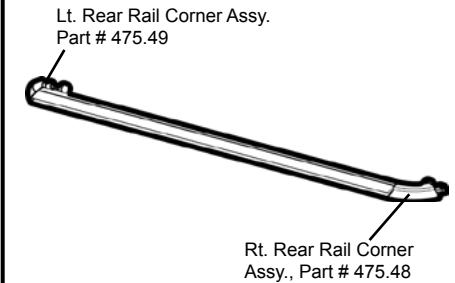
Cover and Front Rail Assembly Qty - 1
Part # 509.35.18113



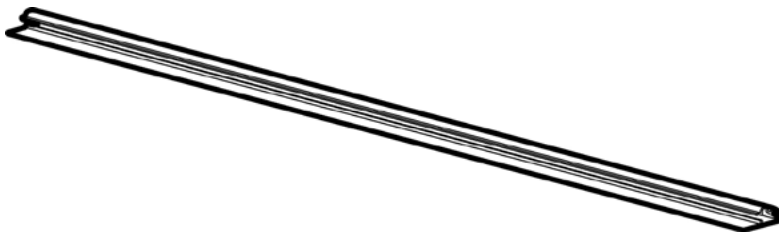
Front Bow Qty - 1
Part # 509.37.65.2
Attached to Cover



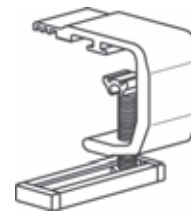
Rear Bow Qty - 1
Part # 509.37.65.0
Attached to Cover



Rear Rail Assembly Qty - 1
Part # 470.25.64.2



Side Rail Assembly
Qty - 2
Part # 509.38.64.9

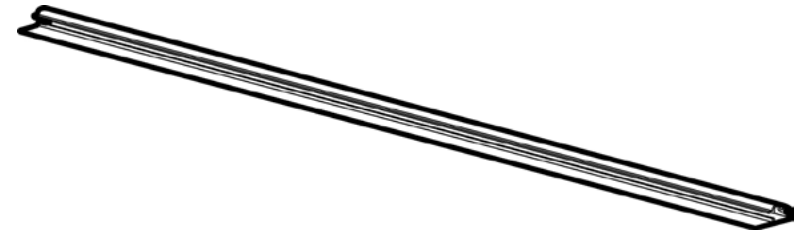
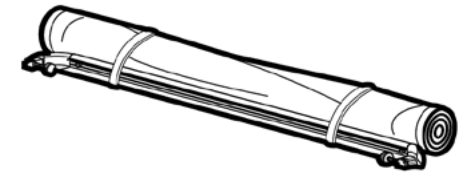
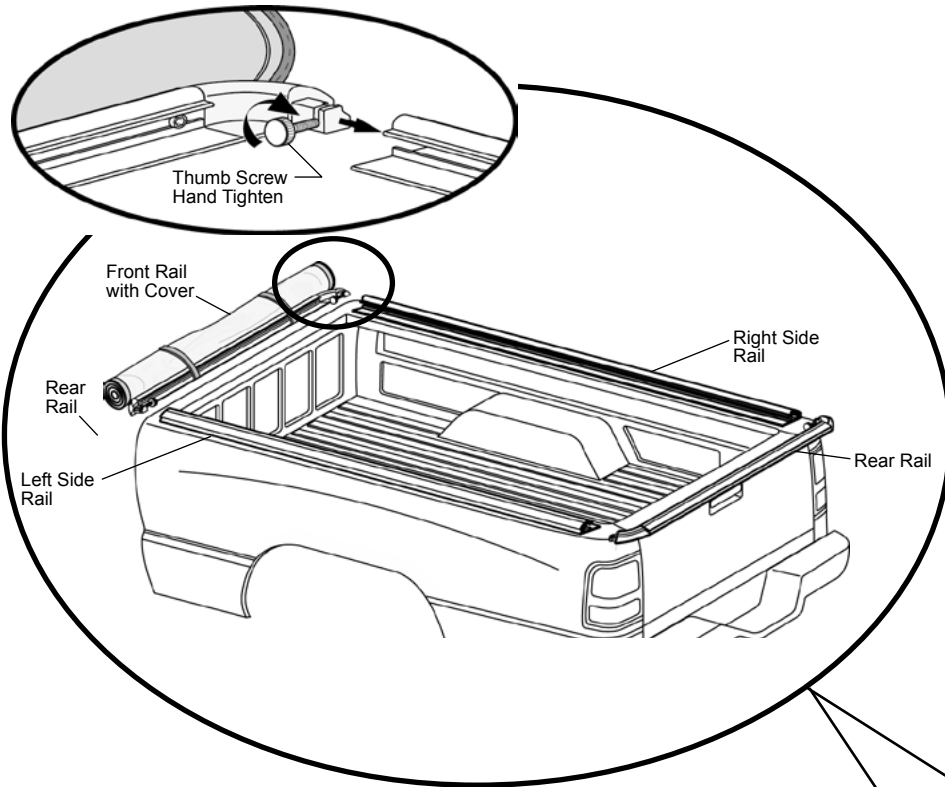


Clamps, Part Number
470.79, Qty - 6

Section 1 Install Rail Assemblies

Step 1 509.35.18113 470.25.64.2 509.38.64.9

Hardware



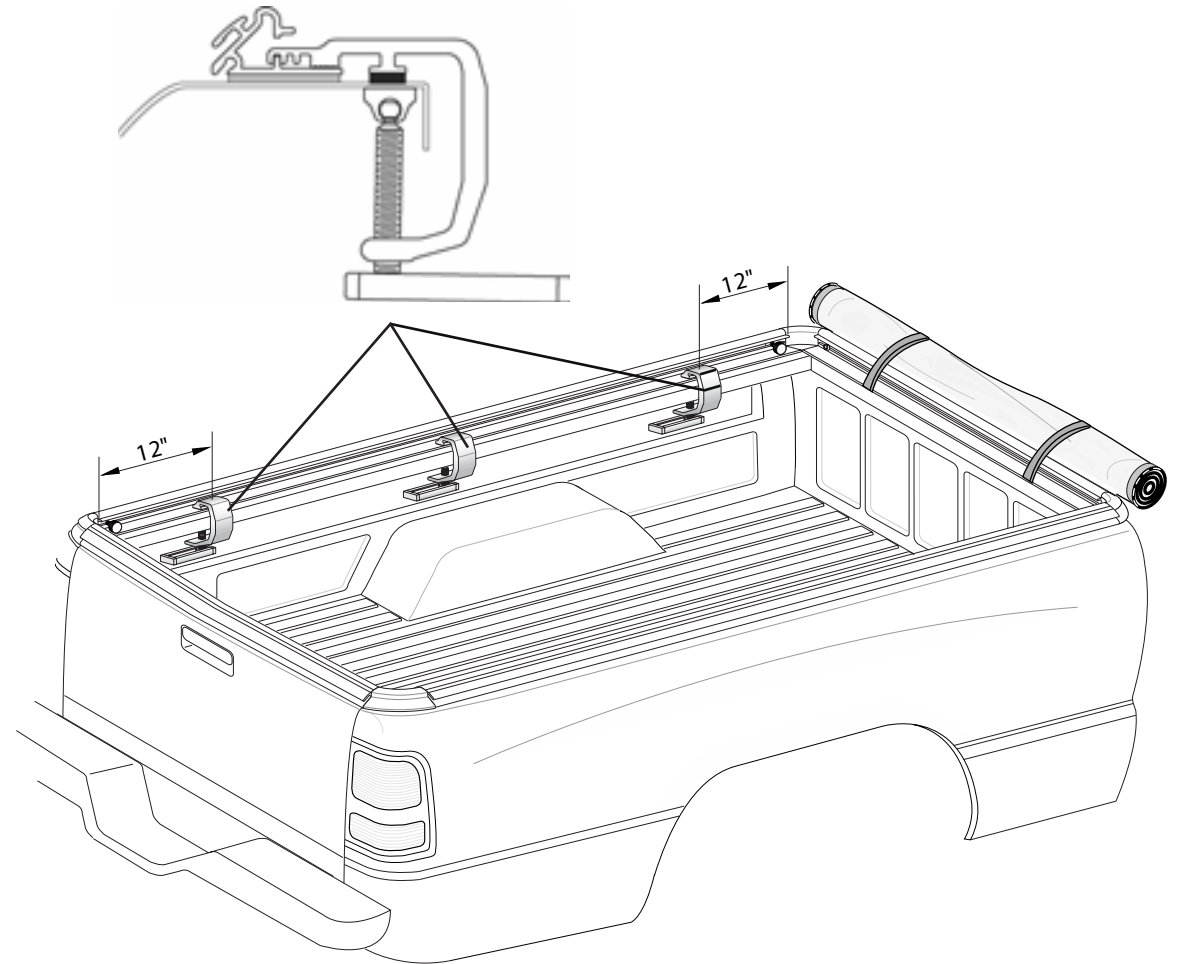
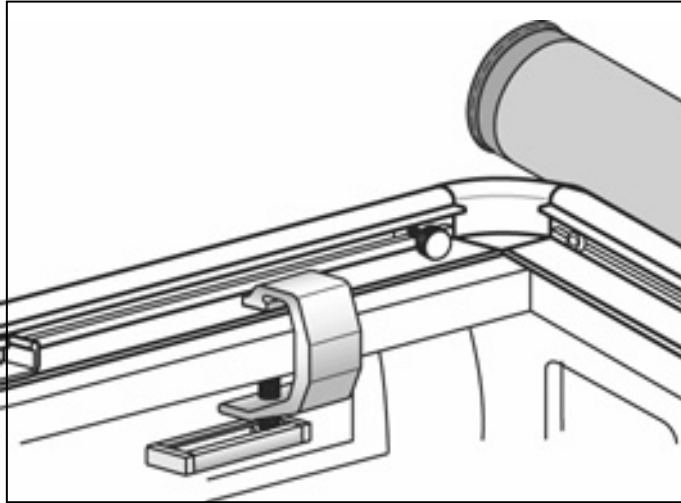
Section 2 Install Clamps

Step 1

470.79

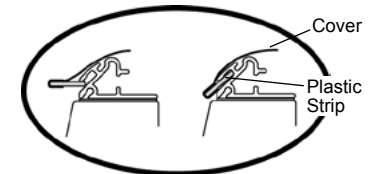
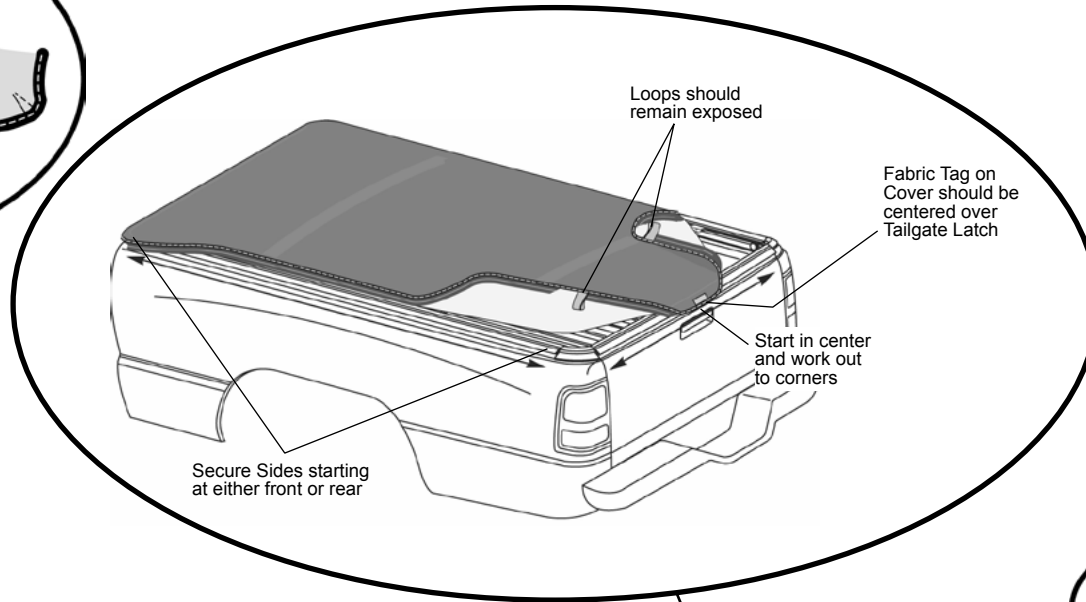
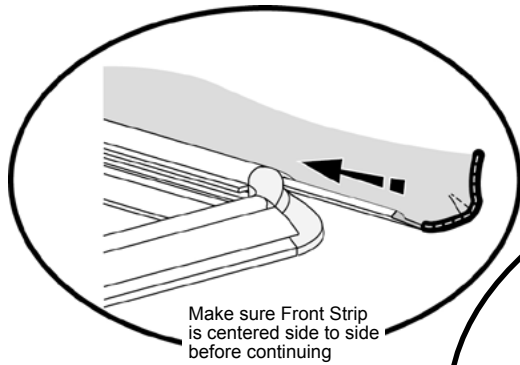
Hardware

Step 2



Section 3 Secure Fabric

Step 1



Section 4 Removing Cover

Step 1

