



Installation Instructions ZipRail Tonneau

Vehicle Application:
Ford F150
04-2014, 6.5' bed
Part Number: 18111

Installation Tips

Before you begin installing this product, please read all the instructions thoroughly.

For a smooth fit:

For easier installation, the top should be installed at a temperature above 70° F. Below this temperature, the fabric may contract an inch or more, making it difficult to fit the vehicle.




It is normal for the fabric to contract and wrinkle when stored in the shipping carton. Within a few days after installation, the fabric will relax and the wrinkles will disappear.

Wash truck to make sure no dirt or abrasive materials are between your truck's finish and the Tonneau Rail Frame.



CAUTION

Safety glasses should be worn at all times when installing this product.

Tools	Installation Time
 Safety Glasses	 1/2 Hour
	Skill Level
	 1 - Easy



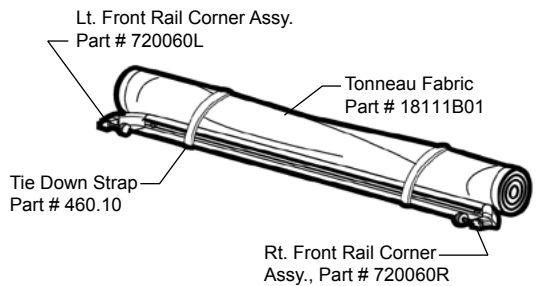
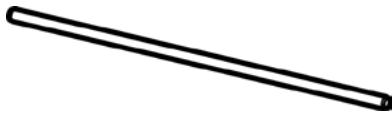
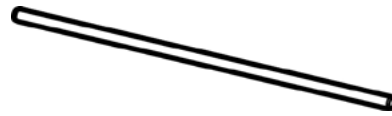
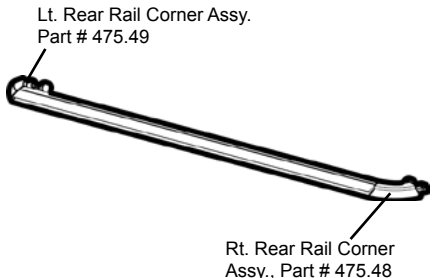
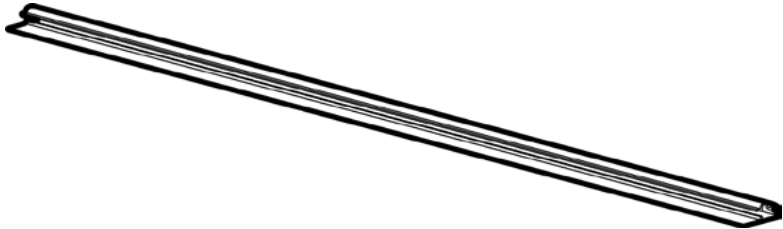

WARNING

Tonneau cover must be secured at all points when vehicle is moving. A Tonneau cover that is unsecured will flap, resulting in damage to the vinyl fabric. Do not overload bed of truck. Stress on Tonneau could result in damage.



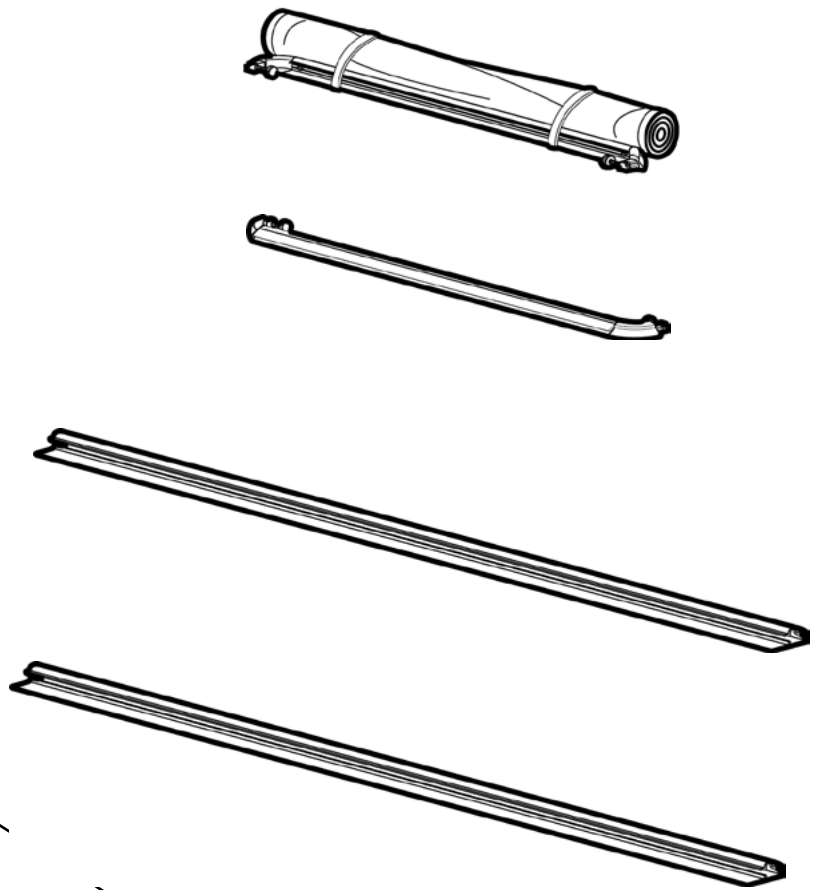
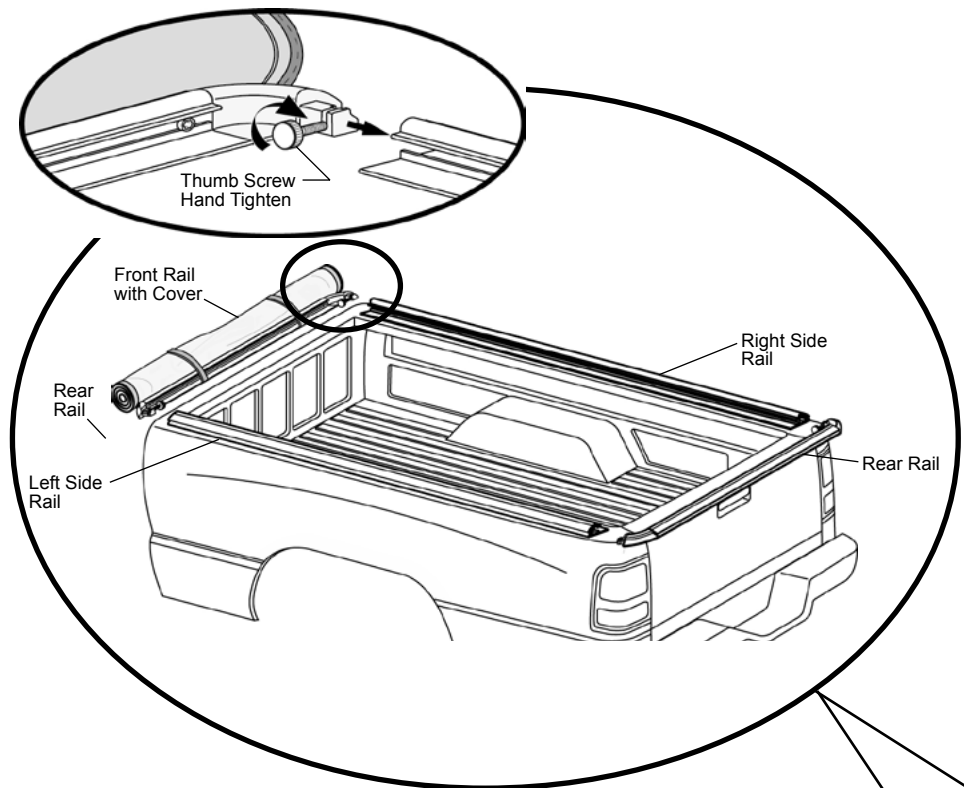
Parts List

- Required parts for each installation section - Page number in Installation Guide

Sections 1 & 2 Rails and Clamps	Pages 3 to 4 of Guide		
 <p>Cover and Front Rail Assembly Qty - 1 Part # 509.35.18111</p>	 <p>Front Bow Qty - 1 Part # 509.37.65.2 Attached to Cover</p>	 <p>Rear Bow Qty - 1 Part # 509.37.65.0 Attached to Cover</p>	 <p>Rear Rail Assembly Qty - 1 Part # 470.25.64.2</p>
 <p>Side Rail Assembly Qty - 2 Part # 509.38.76.8</p>	 <p>Clamps, Part Number 470.79, Qty - 6</p>		

Step 1	509.35.18111	470.25.64.2	509.38.76.8
---------------	--------------	-------------	-------------

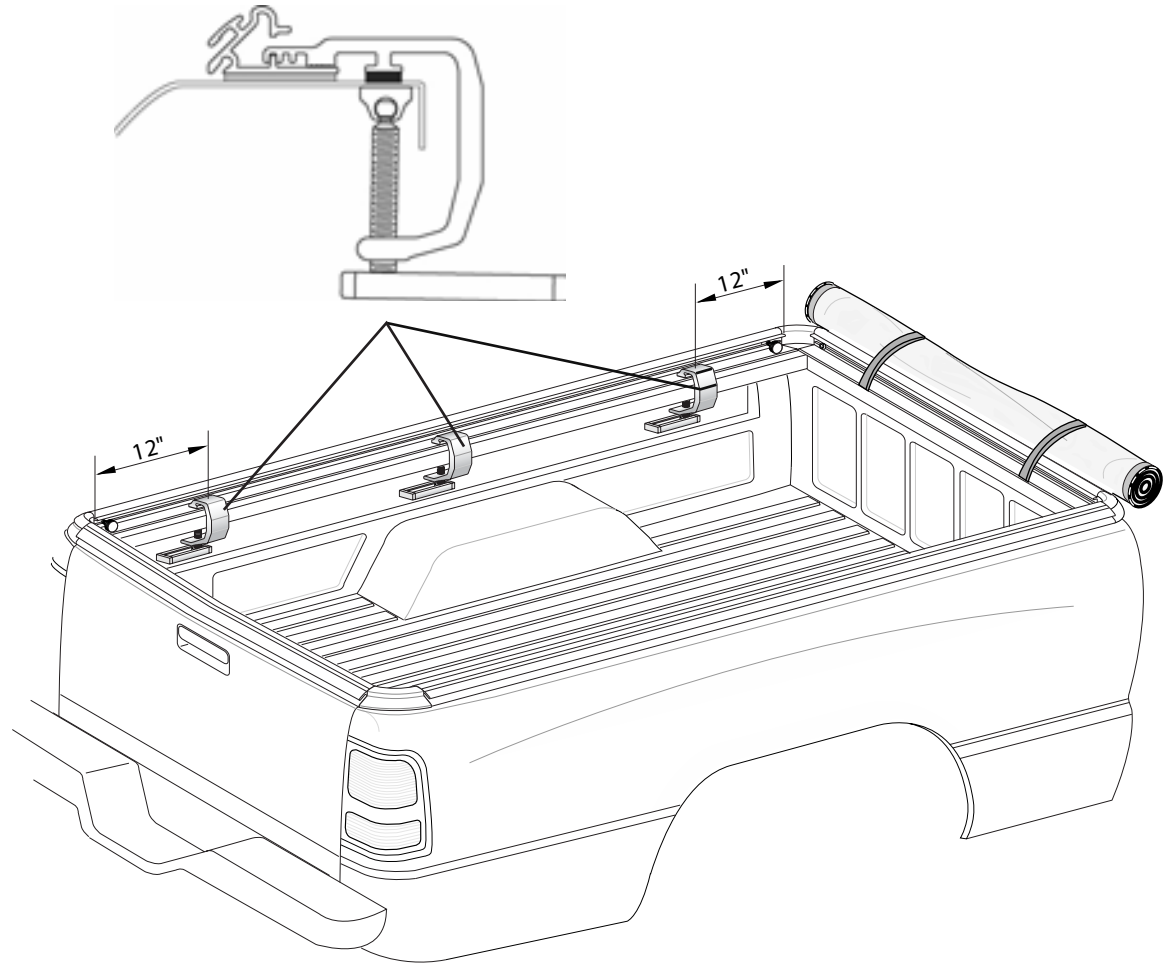
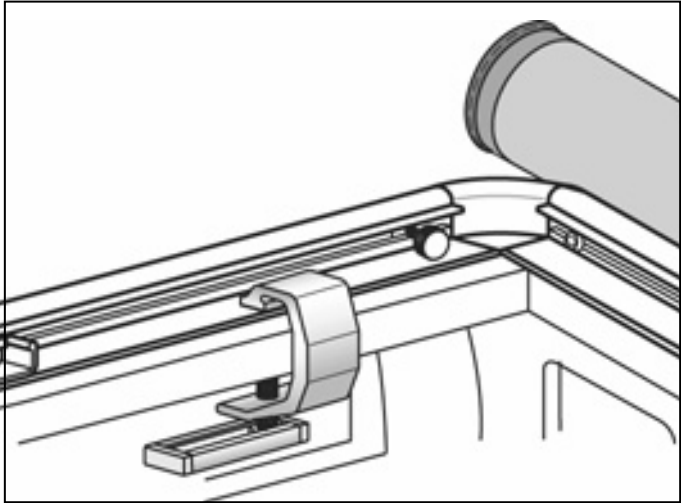
Hardware



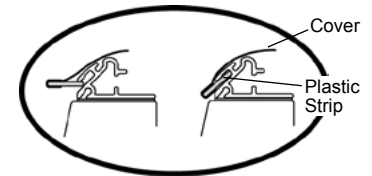
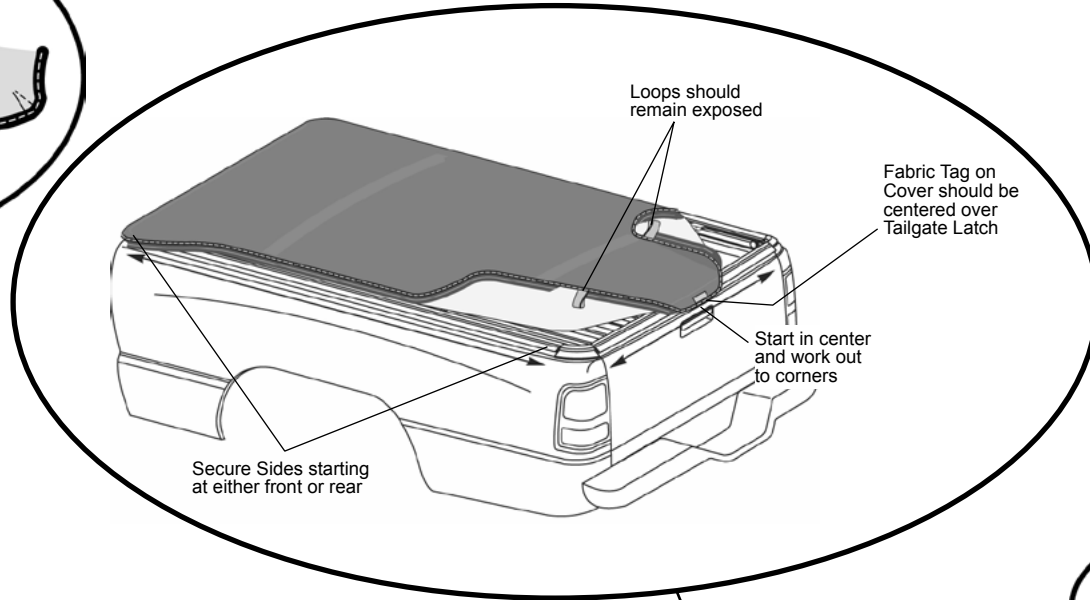
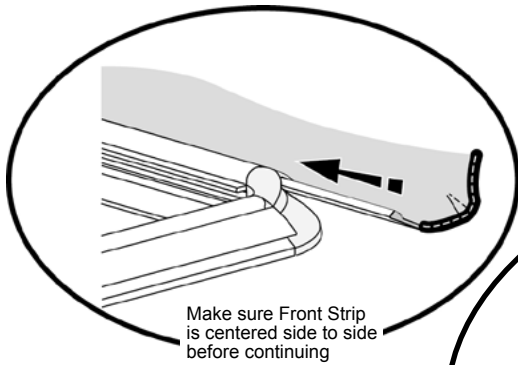
Step 1	470.79			
---------------	--------	--	--	--

Hardware

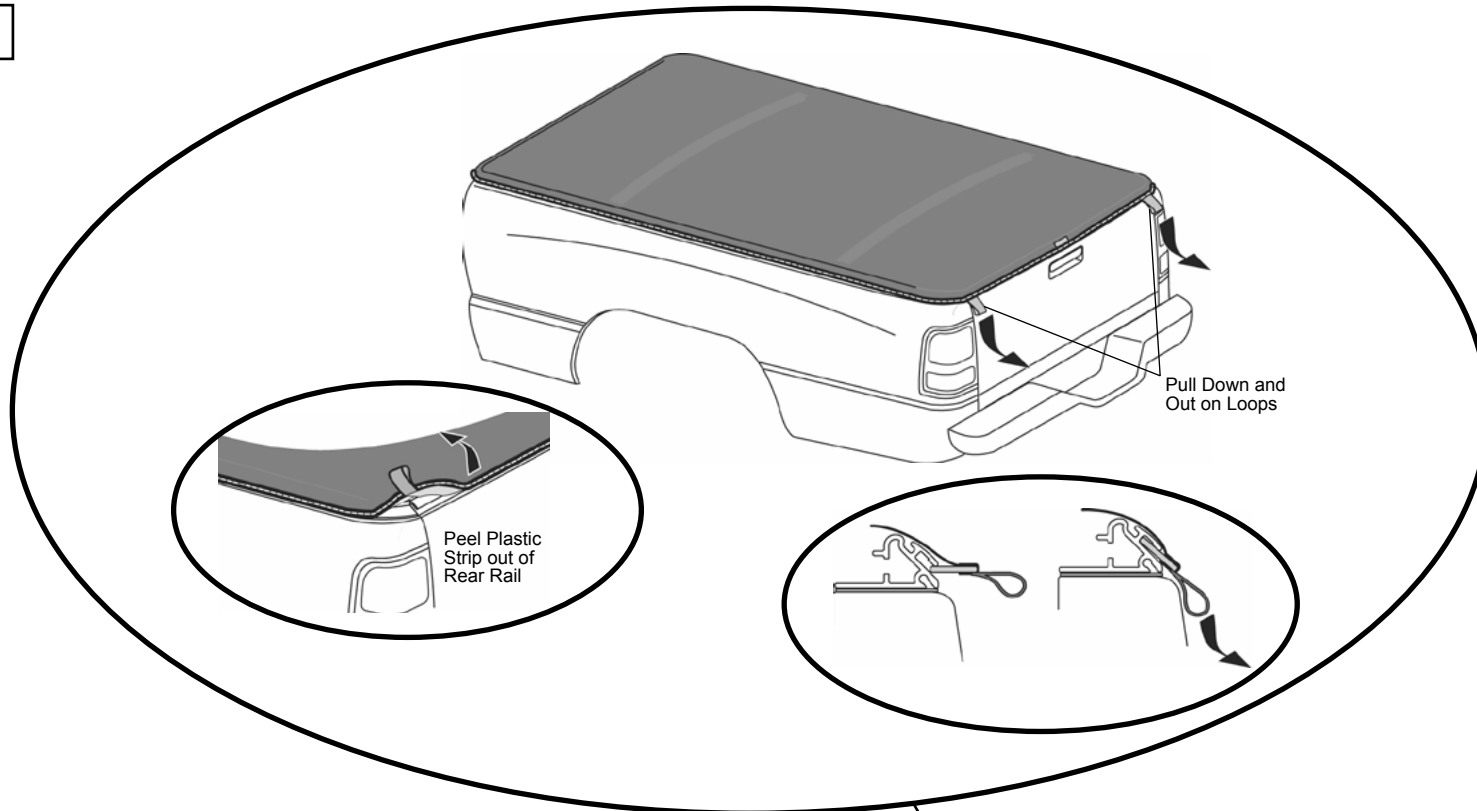
Step 2



Step 1



Step 1





Installation Instructions ZipRail Tonneau

Care and Maintenance of your Bestop Product

Your Bestop product is made of the finest materials available. To keep it looking new and for the maximum possible wear, it will need periodic cleaning and maintenance.

Fabric: The fabric should be washed often using soap, warm water and a soft bristle brush. Rinse with clear water to remove all traces of soap. Bestop recommends using Bestop Cleaner (part no. 11201-00) and Bestop Protectant (part no. 11202-00). Bestop Cleaner and Bestop protectant are specially formulated to provide a total cleaning and protection system. Bestop Cleaner safely removes the toughest stains, will not harm vehicle finishes, is biodegradable and environmentally friendly. Bestop Protectant protects against UV-fading, cracking and hardening, and repels dust, grease, dirt and mildew.

BESTOP TONNEAU COVERS LIMITED LIFETIME WARRANTY

What's covered?

All defects in materials or workmanship on Bestop Tonneau Covers for pick-up truck beds. This warranty does not apply to other Bestop products.

This warranty and any implied warranties including merchantability and fitness for a particular purpose, lasts as long as the original retail purchaser owns the vehicle upon which the tonneau cover is installed. The warranty expires should the product be removed from the original vehicle or if the original vehicle is transferred to another owner. This warranty is not transferable.

What Bestop will do.

During the warranty period as written above, Bestop shall, at its option, either repair or replace any defective product at no charge. Bestop will not pay for labor charges associated with installation or removal of the product. Should a specific product be discontinued, Bestop may, at its option replace the discontinued product with a current product or like product.

The Warranty does not cover:

Damage, defect, or malfunction caused by misuse, abuse, accident, fire, improper installation, modification, improper or inadequate maintenance, or hazards, or acts of God. Incidental or consequential damages are not covered under this warranty. Some states do not allow exclusion or limitation, so this may not apply to you. This warranty gives you specific legal rights, and you may have other rights which vary from state to state.